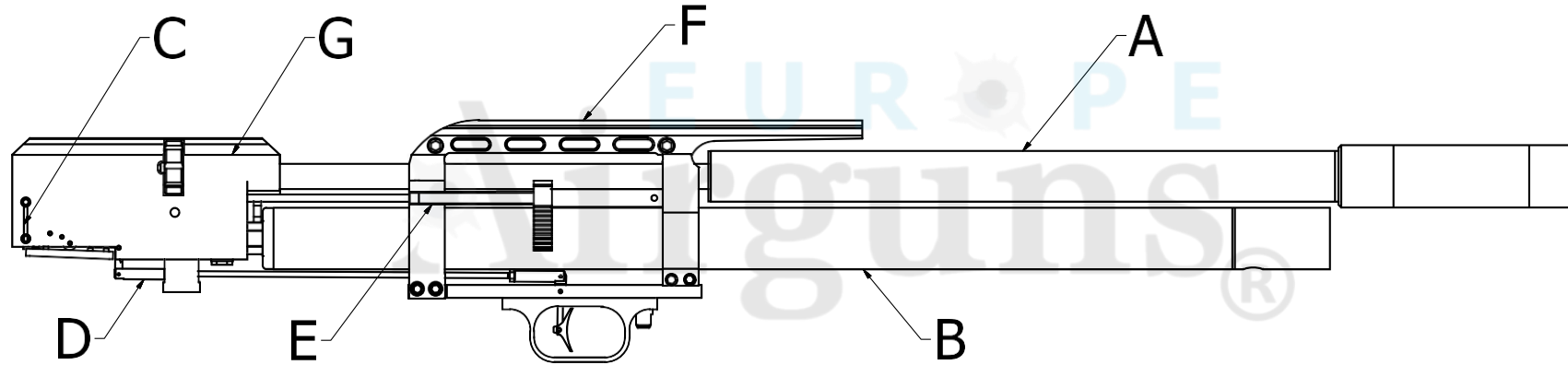
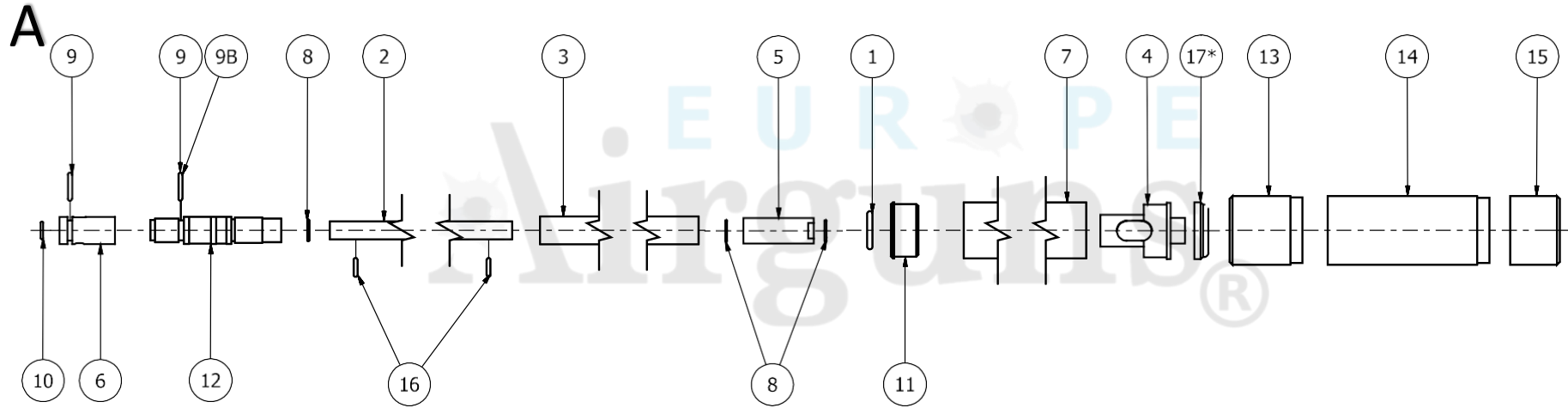


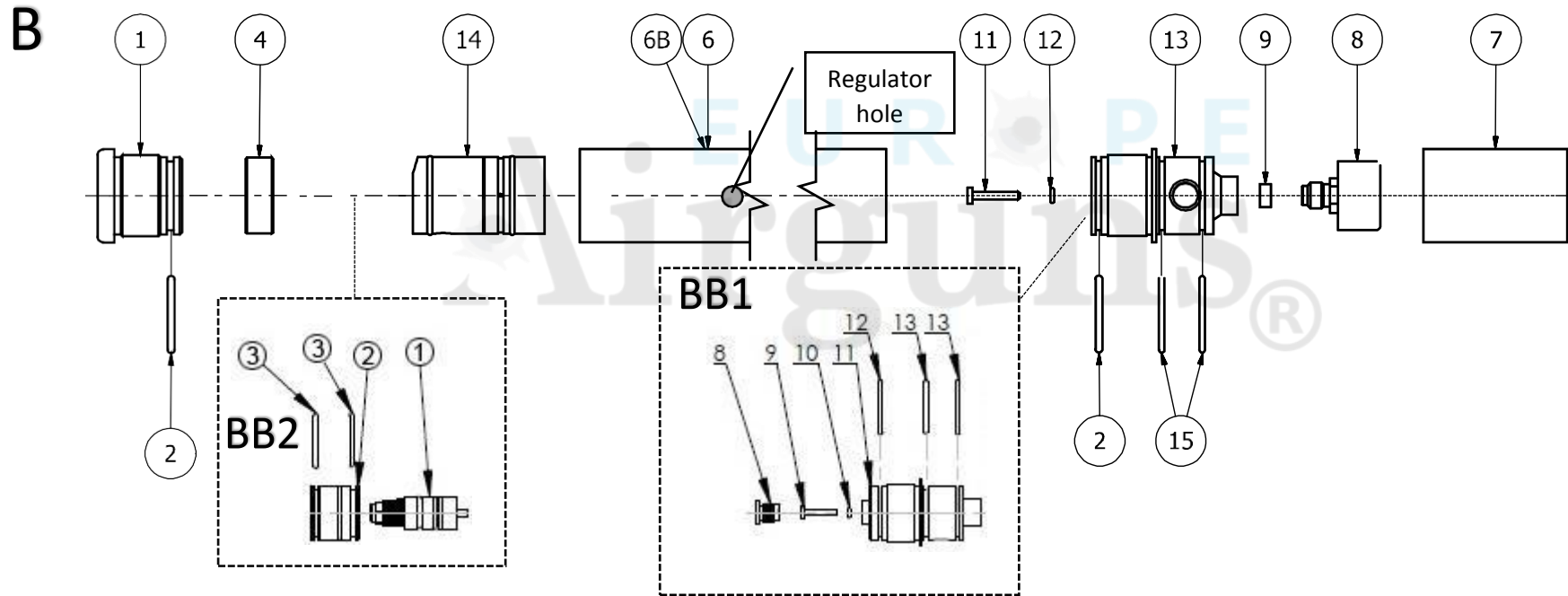
Model	Website	Date	Revision	Revision date
FX Wildcat MKII	https://europeairguns.com/en	2023-12-27	En.12.27	2023-12-27



Model	Other model names	Date	Revision	Revision date
FX Wildcat MKII	https://europeairguns.com/en	2023-12-27	EN.12.27	2023-12-27

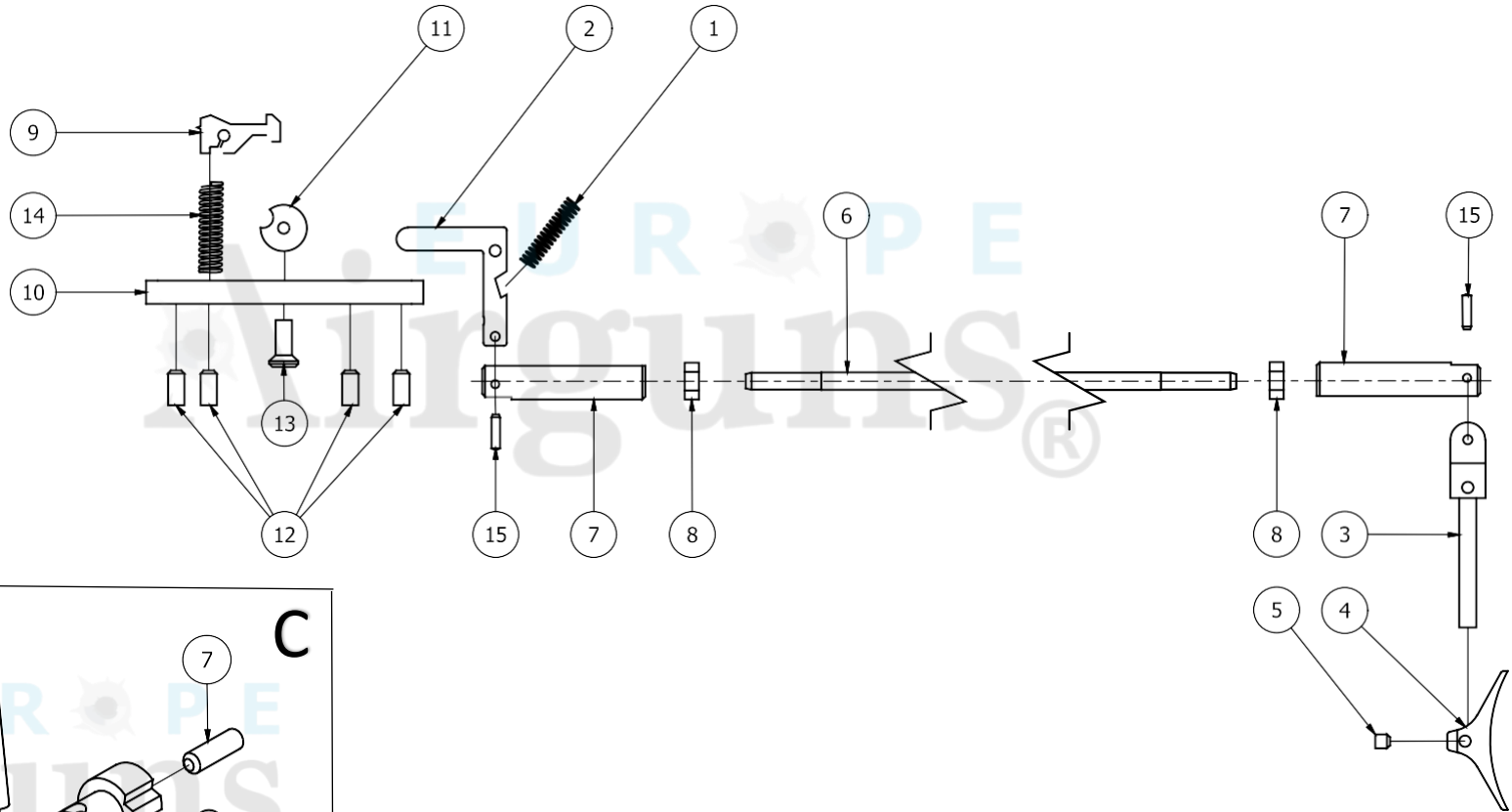


* = Only on 10J, CAN and AUS models

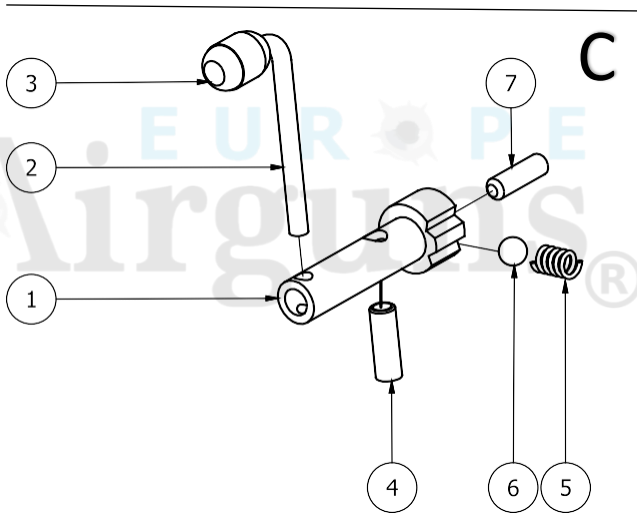


Model	Website	Date	Revision	Revision date
FX Wildcat MKII	https://europeairguns.com/en	2023-12-27	En.12.27	2023-12-27

D

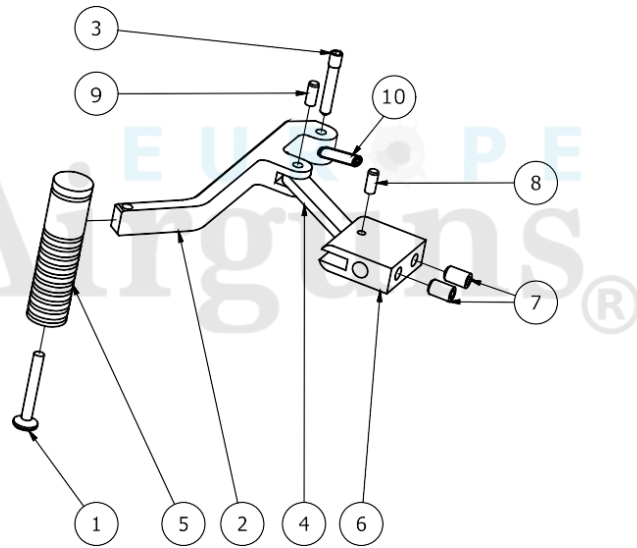


C

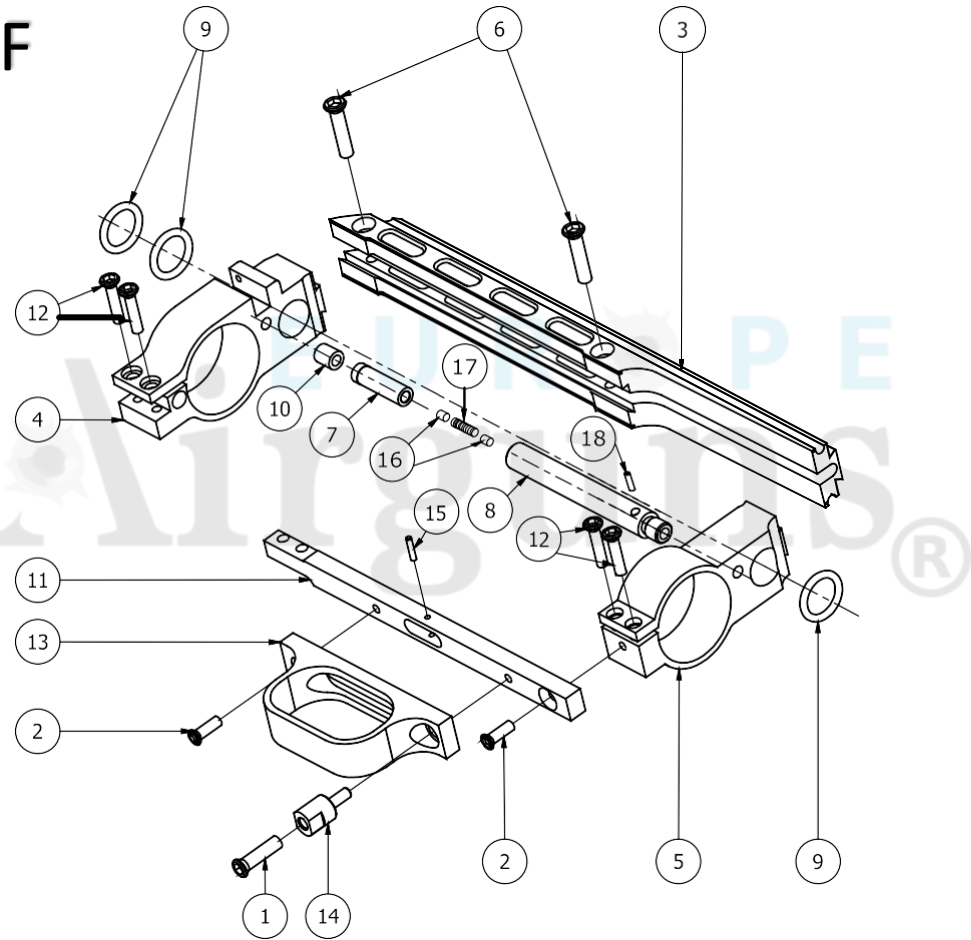


Model	Website	Date	Revision	Revision date
FX Wildcat MKII	https://europeairguns.com/en	2023-12-27	En.12.27	2023-12-27

E

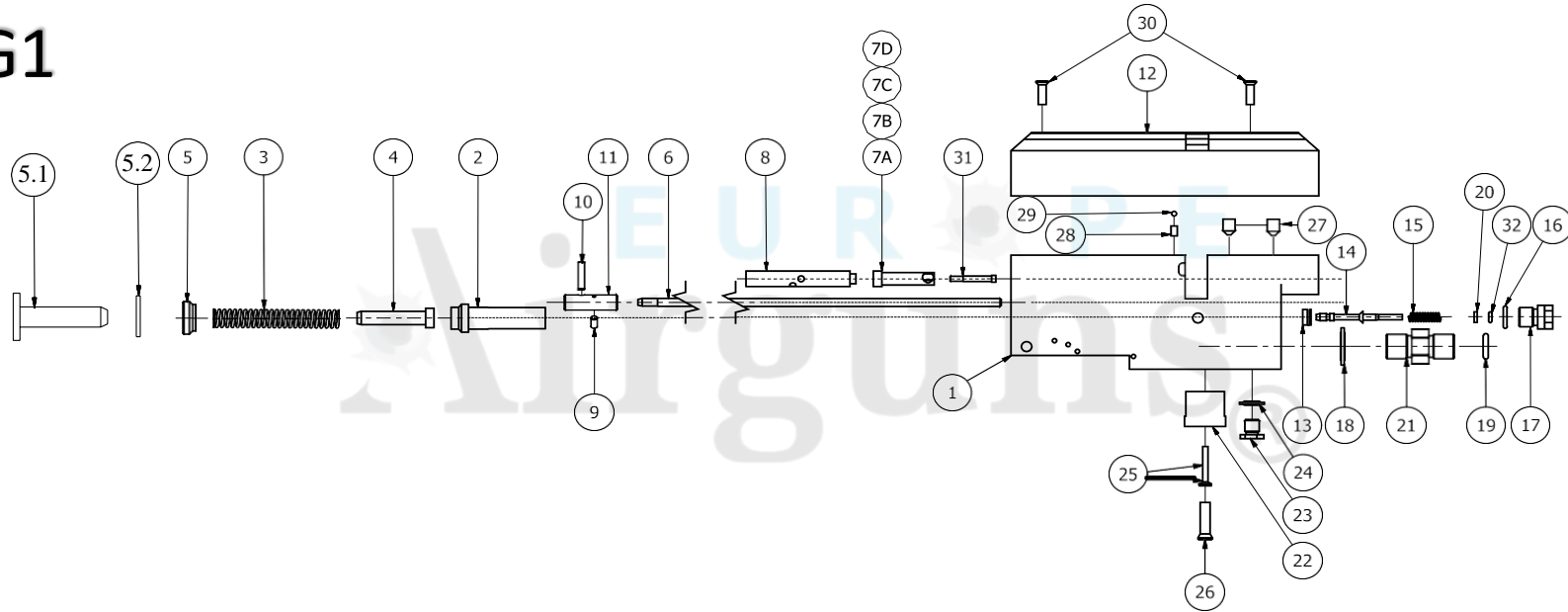


F

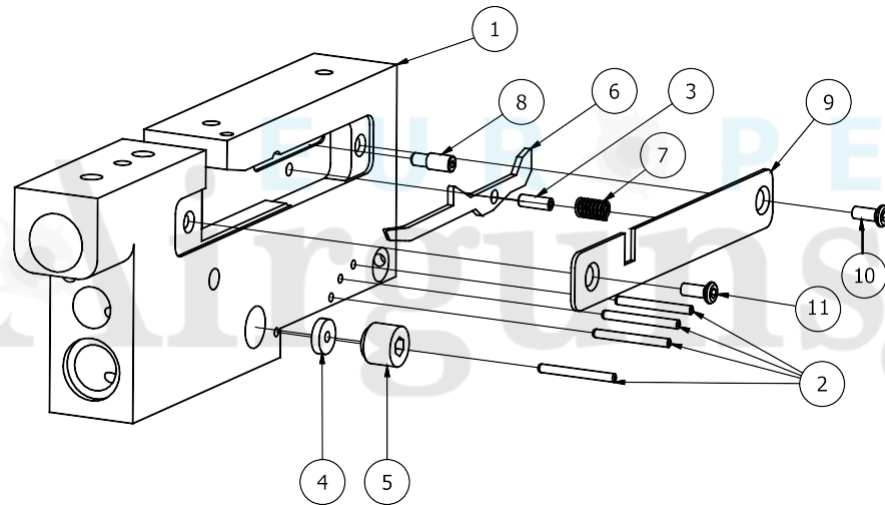


Model	Website	Date	Revision	Revision date
FX Wildcat MKII	https://europeairguns.com/en	2023-12-27	En.12.27	2023-12-27

G1



G2



Model	Website	Date	Revision	Revision date
FX Wildcat MKII	https://europeairguns.com/en	2023-12-27	En.12.27	2023-12-27

NO	ART. NO	DESCRIPTION	NO	ART. NO	DESCRIPTION	NO	ART. NO	DESCRIPTION
A-Barrel .177			A5	FX19970	Liner Lock .25	B9	FX5005	Plastic Washer 2mm 1/8"
A1	FX12045	O-ring 13,95x2,62 NBR 70	A6	FX19591	Barrel inlet .25 Wildcat MKII	B10		N/A
A2	FX19964	STX Liner .177 500mm Pellet A	A7	FX19099	Shroud 345mm R5	B11	FX11511	Countersunk screw M4x8 (Torx)
A3	FX19973	Barrel House 14x1x435mm	A8	FX19954	O-ring 9 x 1 NBR 70	B12	FX19109	O-ring 4x1,5 NBR 70
A4	FX19794	Compensator fixed .177-.22 UNF1/2"	A9	FX19703	O-ring 10 x 2 NBR 70	B13	FX19542	Front Tube End Preasure Gauge
A5	FX19968	Liner Lock .177	A10	FX2575	O-ring 6,35 x 1,27 NBR 70	B14	FX20199	Regulator Complete
A6	FX19589	Barrel inlet 4,5 Wildcat MKII	A11	FX19588	Shroud Start Wildcat MKII	B15	FX19484	O-ring 24 x 2 NBR70
A7	FX19573	Shroud 230mm Wildcat US .22	A12	FX19962	Barrel Attchment .25			
A8	FX19837	O-ring 7 x 1 NBR 70	A13	FX19997	Shroud Start 35mm UNF 1/2"	<i>BB1 – until January 2019</i>		
A9	FX19703	O-ring 10 x 2 NBR 70	A14	FX19680	Shroud Mid Part 35mm UNF 1/2"	BB1-8	FX19530	Plug 1/8" Gold BC Wildcat
A10	FX2529	O-ring 4,3 x 1,5 NBR 70	A15	FX19663	Shroud endcap .25 35mm	BB1-9	FX19329	Inlet valve rod "gold"
A11	FX19588	Shroud Start Wildcat MKII	A16	FX19953	O-ring 5,5 x 2 NBR 70	BB1-10	FX5111	O-ring 2,5 x 1,5 NBR 90
A12	FX19960	Barrel Attachment .177				BB1-11	FX19542	Front tube end pressure gauge
A13	FX19997	Shroud Start 35mm UNF 1/2"	A-Barrel .30			BB1-12	FX19485	O-ring 23,0x2,5 NBR 70
A14	FX19680	Shroud mid part 35mm	A1	FX12045	O-ring 13,95x2,62 NBR 70	BB1-13	FX19484	O-ring 24x2 NBR 70
A15	FX19663	Shroud endcap .25 35mm	A2	FX19967	STX Liner .30 600mm Pellet A			
A16	FX19958	O-ring 6,02 x 2,62 NBR 70	A3	FX19972	Barrel House 550mm	<i>If the hole on the AirTube is smaller than 4mm then you do not have an adjustable regulator. Please pick the parts from BB2 and not B14.</i>		
A-Barrel .22			A4	FX19999	Compensator fixed .30 UNF1/2"	BB2 – 1, .22, .25	FX19043-140	Regulator "Red" 140 Bar
A1	FX12045	O-ring 13,95x2,62 NBR 70	A5	FX19971	Liner Lock .30	BB2 – 1, .177	FX19043-115	Regulator "copper" 115 bar
A2	FX19965	STX Liner .22 500mm Pellet A	A6	FX19593	Barrel inlet .30 Wildcat MKII	BB2 – 1, 12ft/p .177	FX19043-65	Regulator "Black" 65 Bar
A3	FX19973	Barrel House 14x1x435mm	A7	FX19099	Shroud 345mm R5	BB2 – 1, 12ft/p 10J	FX19043-55	Regulator "Silver" 55 Bar
A4	FX19794	Compensator fixed .177-.22 UNF1/2"	A8	FX19145	O-ring 10 x 1 NBR 70	BB2 – 2	FX19512	Regulator seat
A5	FX19969	Liner lock .22 Crown	A9	FX19703	O-ring 10 x 2 NBR 70	BB2 - 3	FX19497	O-ring 23,3x2,4 NBR 70
A6	FX19590	Barrel inlet .22 Wildcat MKII	A9B	FX19210	O-ring 11 x 1,5 NBR 70			
A7	FX19573	Shroud 230mm Wildcat US .22	A10	FX19209	O-ring 7,5 x 1,5 NBR 70	C1	FX19513	Safety Pivot
A8	FX19117	O-ring 8 x 1 NBR 70	A11	FX19588	Shroud Start Wildcat MKII	C2	FX19584	Safety Lever
A9	FX19703	O-ring 10 x 2 NBR 70	A12	FX19963	Barrel Attchment .30	C3	FX11200	Safety Knob
A10	FX19726	O-ring 5,5 x 1,5 NBR 70	A13	FX19997	Shroud Start 35mm UNF 1/2"	C4	FX19742	Grub Screw M3x8
A11	FX19588	Shroud Start Wildcat MKII	A14	FX19680	Shroud Mid Part 35mm UNF 1/2"	C5	FX11503	Spring 0,5 x 2,5 x 4,4
A12	FX19961	Barrel Attachment .22	A15	FX19664	Shroud endcap .30 35mm	C6	FX4066	Steel Ball 3.0
A13	FX19997	Shroud Start 35mm UNF 1/2"	A16	FX5125	O-ring 6,5 x 1,5 NBR 70	C7	FX11633	Grub Screw M2,5 x 8
A14	FX19680	Shroud Mid Part 35mm UNF 1/2"	B1	FX19543	Rear Tube End Wildcat	D1	FX19498	Spring 0,2 x 2,5 x 13,1
A15	FX19663	Shroud endcap .25 35mm	B2	FX19485	O-ring 23 x 2,5 NBR 70	D2	FX19527	Wildcat L Triggerpart
A16	FX19952	O-ring 5,23 x 2,62 NBR 70	B3		N/A	D3	FX19506	Trigger Mount
			B4	FX19514	Regulator Spacer	D4	FX19136	Adjustable Trigger Blade
A-Barrel .25			B5		N/A	D5	FX12035	Grub Screw M2,5x2,5
A1	FX12045	O-ring 13,95x2,62 NBR 70	B6	FX19556	Tube 34x570	D6	FX19518	Trigger pin Wildcat
A2	FX19966	STX Liner .25 600mm Pellet A	B6B	FX19555	Tube 34x410	D7	FX19574	Metal Clevis M3 Wildcat
A3	FX19972	Barrel House 550mm	B7	FX19544	Dust Cover Wildcat	D8	FX19482	Nut M3
A4	FX19998	Compensator fixed .25 UNF1/2"	B8	FX11505	Pressure gauge 25mm 1/8"	D9	FX19177	Trigger Sear v7,8,12

