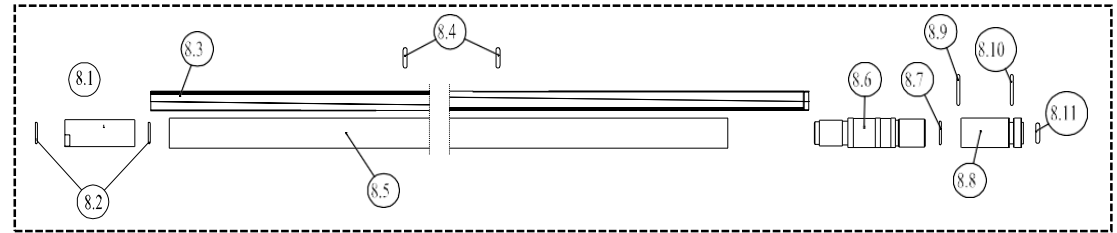
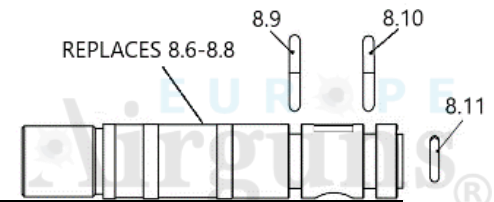


Model	Website	Date	Revision	Revision date
FX Wildcat MK3 BT	https://europeairguns.com/en	2024-07-04	EN.12.27	2024-07-04

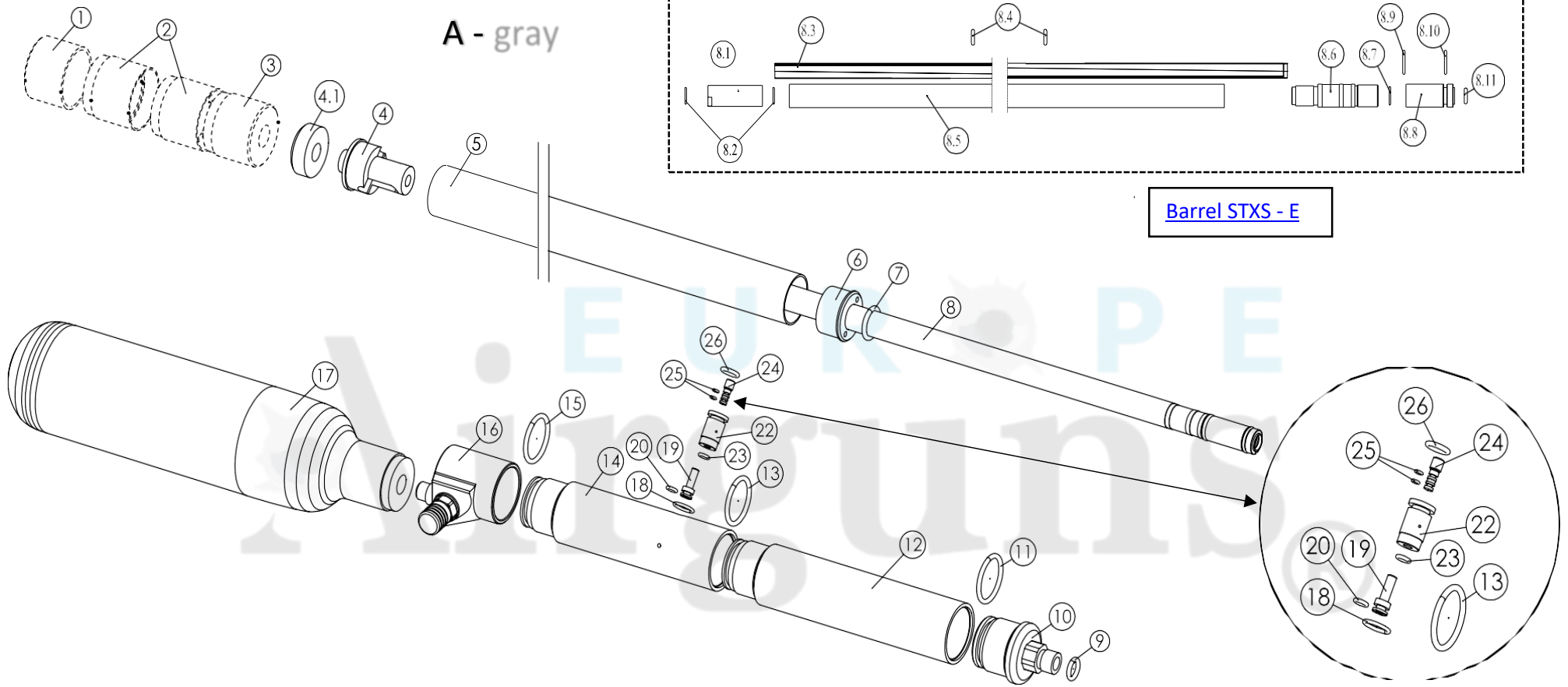
Go to the list and click to go directly to the spare part at the webshop! **Worldwide shipping!**

To find out more visit <https://europeairguns.com>

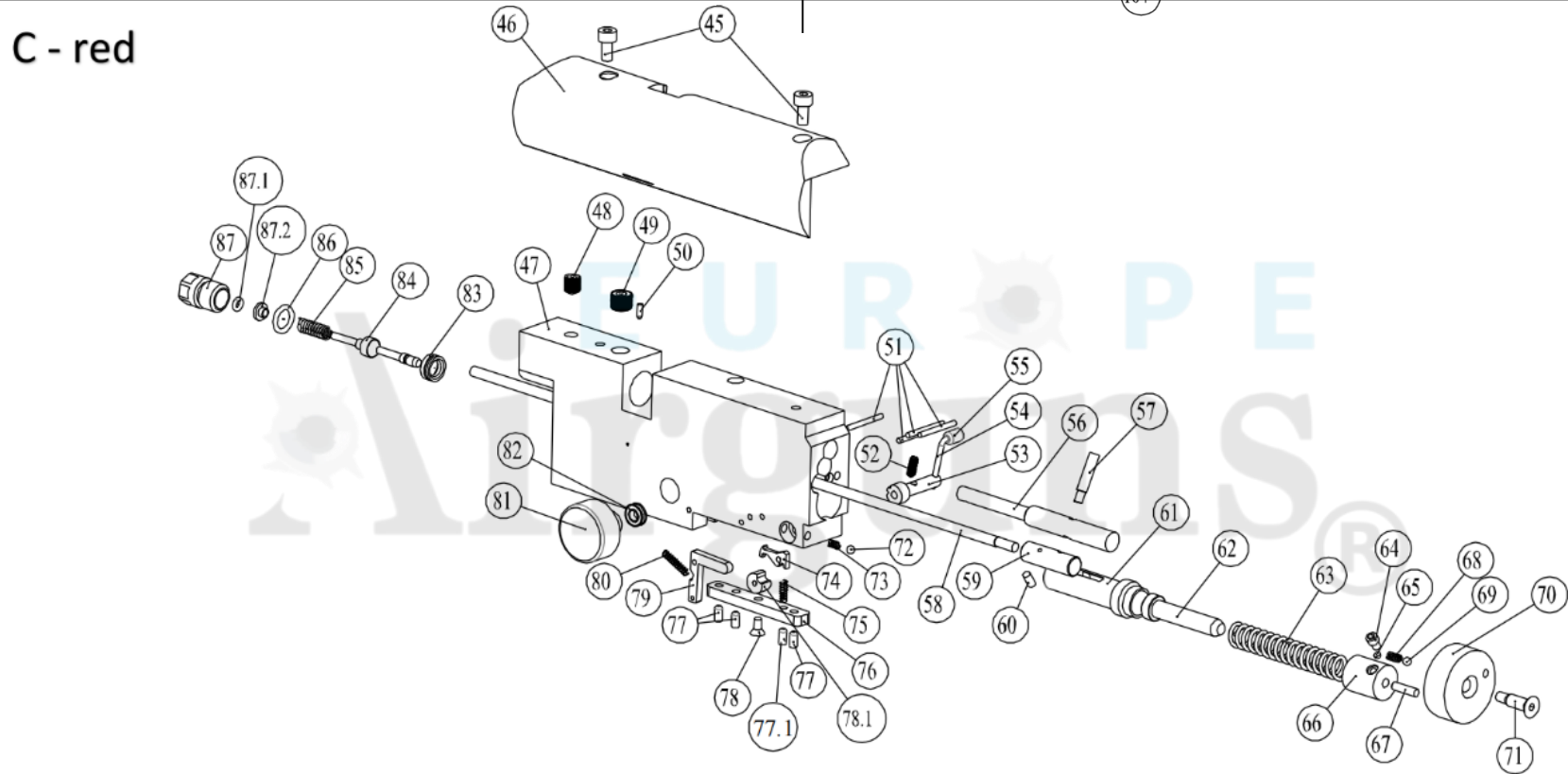
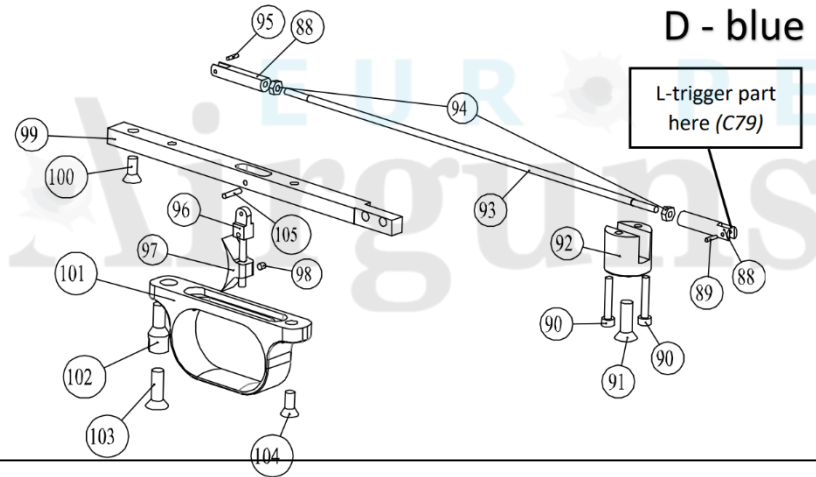
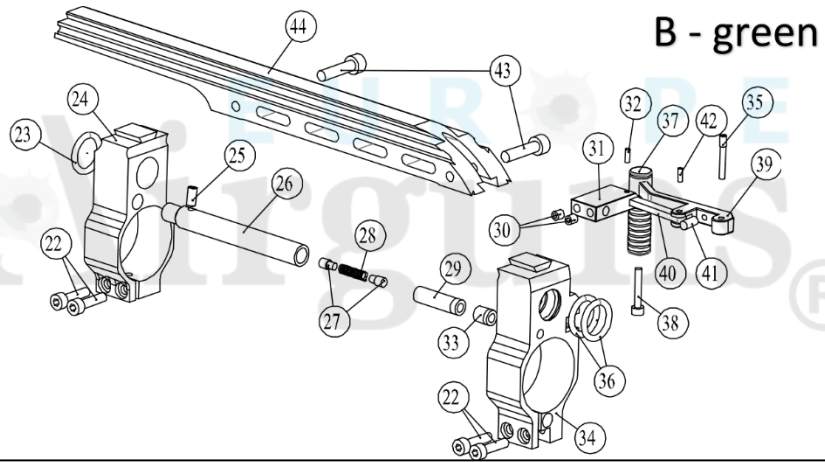
If there is a spare part that is missing, please contact us here: <https://europeairguns.com/en/contact-us>



Barrel STXS - E



Model	Website	Date	Revision	Revision date
FX Wildcat MKIII	https://europeairguns.com/en	2023-12-27	EN.12.27	2024-07-04



Model	Website	Date	Revision	Revision date
FX Wildcat MkIII	https://europeairguns.com/en	2023-12-27	EN.12.27	2024-07-04

NO	ART. NO	DESCRIPTION	NO	ART. NO	DESCRIPTION	NO	ART. NO	DESCRIPTION
A1*	FX19663	Shroud endcap .25 35mm	A 8.7 (.177)	FX19837	O-ring 7x1 NBR 70	A26	FX19225	O-ring 7,5x2,0 NBR70
A2*	FX19680	Shroud Mid Part 35mm	A 8.7 (.22)	FX19117	O-ring 8x1 NBR 70	B DIAGRAM		
A3*	FX19997	Shroud Start 35mm UNF 1/2"	A 8.7 (.25)	FX19954	O-ring 9x1 NBR 70	B22	FX5201	Socket Head Cap Screw M4x16
A4*	FX19794	Compensator fixed .177-.22 UNF1/2"	A 8.7 (.30)	FX19145	O-ring 10x1 NBR 70	B23	FX12045	O-ring 13,95x2,62 NBR 70
A4*	FX19998	Compensator fixed .25 UNF1/2"	A 8.6-8.8 NEW	FX20841	Barrel Attachment W/Dual Inlet .177	B24	FX20323	Front barrel support Wildcat MkIII
A4*	FX19999	Compensator fixed .30 UNF1/2"	A 8.6-8.8 NEW	FX20842	Barrel Attachment W/Dual Inlet .22	B25	FX12033	Conical grub screw M4x8
A4.1**	FX20176	Muzzle-Thread Cover	A 8.6-8.8 NEW	FX20843	Barrel Attachment W/Dual Inlet .25	B26	FX19511	Reloading Rod Guide
A5	FX19573	Shroud 230mm Wildcat US .22	A 8.6-8.8 NEW	FX20844	Barrel Attachment W/Dual Inlet .30	B27	FX19586	Spring aligner
A5	FX19142	Shroud 447mm Extreme	A 8.8	FX19628	Barrel inlet .177	B28	FX5204	Spring 0,5x3x15
A6	FX19588	Shroud Start Wildcat MKII	A 8.8	FX19629	Barrel inlet .22	B29	FX19540	Long reloading rod bushing
A7	FX12045	O-ring 13,95x2,62 NBR 70	A 8.8	FX19670	Barrel inlet .25	B30	FX3007	Grub screw M4x4
A 8.1	FX19968	Liner Lock .177	A 8.8	FX19671	Barrel inlet .30	B31	FX20301	Slide Mount Wildcat MkIII
A 8.1	FX19969	Liner Lock .22	A 8.9	FX19703	O-ring 10x2 NBR 70 (.177, .22, .25)	B32	FX19042	Cylindrical Pin 2m6x8
A 8.1	FX19970	Liner Lock .25	A 8.9	FX19210	O-ring 11x1,5 NBR 70 (.30)	B33	FX19541	Short Bushing For Reloading Rod
A 8.1	FX19971	Liner Lock .30	A 8.10	FX19703	O-ring 10x2 NBR 70	B34	FX20324	Rear barrel support Wildcat MkIII
A 8.2 (.177)	FX19837	O-ring 7x1 NBR 70	A 8.11 (.177)	FX2529	O-ring 4,3 x 1,5 NBR 70	B35	FX19034	Screw M3 Special
A 8.2 (.22)	FX19117	O-ring 8x1 NBR 70	A 8.11 (.22)	FX19726	O-ring 5,5 x 1,5 NBR 70	B36	FX12045	O-ring 13,95x2,62 NBR 70
A 8.3	FX19964	STX Liner .177 500mm Superior	A 8.11 (.25)	FX2575	O-ring 6,35 x 1,27 NBR 70	B37	FX19611	Side Lever Handle B2-IM-Wildcat
A 8.3	FX19965	STX Liner .22 500mm Superior	A 8.11 (.30)	FX19209	O-ring 7,5x1,5 NBR 70	B38	FX11060	Socket Head Cap Screw M3x18
A 8.3	FX20011	STX Liner .22 600mm Superior	A9	FX19486	O-ring 8,3x2,4 NBR 70	B39	FX19529	Side Lever Wildcat
A 8.3	FX20204	STX Liner .22 700mm Superior	A10	FX20377	Rear tube end Wildcat MkIII	B40	FX19021	Side Lever Linkage
A 8.3	FX19976	STX Liner .25 500mm Superior	A11	FX19485	O-ring 23,0x2,5 NBR 70	B41	FX12033	Conical grub screw M4x8
A 8.3	FX19966	STX Liner .25 600mm Superior	A12	FX20268	Power adapter Dreamline	B42	FX19026	Cylindrical pin 2,5m6x6
A 8.3	FX19977	STX liner .25 700mm Superior				B43	FX4509	Socket Head Cap Screw M5 x 20
A 8.3	FX20369	STX Liner .30 500mm Superior	A13	FX19485	O-ring 23,0x2,5 NBR 70	B44	FX19525	Wildcat Rail
A 8.3	FX19967	STX Liner .30 600mm Superior	A14	FX20325	Power adapter with regulator hole	C DIAGRAM		
A 8.3	FX19978	STX Liner .30 700mm Superior	A15	FX19485	O-ring 23,0x2,5 NBR 70	C45	FX5230	Socket head cap screw M4x6
A 8.4 (.177)	FX19958	O-ring 6,02x2,62 NBR 70	A16	FX20148C	Bottle adapter Dreamline complete, see schematic F10101	C46	FX20361	Cheekrest piece Wildcat MkIII
A 8.4 (.22)	FX19952	O-ring 5,23x2,62 NBR 70	A17	-	Airbottle, see Bottle schematic	C47	FX20330R	Main block Wildcat MkIII
A 8.4 (.25)	FX19953	O-ring 5,5x2 NBR 70	A18	FX19790	O-ring 10x1,5 NBR90	C48	FX19086	Conical Grub Screw M6x8
A 8.4 (.30)	FX2575	O-ring 6,35 x 1,27 NBR 70	A19	FX19696 & FX20858	Regulator Piston Brass	C49	FX19955	Grub screw M8x6
A 8.5	FX19973	Barrel housing 14x1x435mm		FX21070	New Regulator Piston Brass Dynamic	C50	FX19601	Cylindrical pin 2h6x6
A 8.5	FX19972	Barrel housing 14x1 550mm	A20	FX19109	O-ring 4x1,5 NBR70	C51	FX11502	Cylindrical pin 2h6x20
A 8.5	FX19974	Barrel housing 14x1 650mm	A21	N/A	N/A	C52	FX19742	Grub Screw M3x8
A 8.6	FX19960	Barrel Attachment .177	A22	FX19697-1	Regulator house	C53	FX19513	Safety Pivot
A 8.6	FX19961	Barrel Attachment .22	A23	FX19109	O-ring 4x1,5 NBR70	C54	FX19584	Safety Lever
A 8.6	FX19962	Barrel Attachment .25	A24	FX19695	Regulator Screw	C55	FX11200	Safety Knob
A 8.6	FX19963	Barrel Attachment .30	A25	FX19731	O-ring 2x1 NBR90	C56	FX20319	Pellet probe .177 Wildcat MkIII

NO	ART. NO	DESCRIPTION	NO	ART. NO	DESCRIPTION	NO	ART. NO	DESCRIPTION
C56	FX20320	Pellet probe .22 Wildcat MKIII	C79	FX19527	Wildcat L Triggerpart	D98	FX12035	Grub Screw M2,5x2,5
C56	FX20321	Pellet probe .25 Wildcat MKIII	C80	FX19498	Spring 0,2 x 2,5 x 13,1	D99	FX19526	Trigger plate Wildcat
C56	FX20322	Pellet probe .30 Wildcat MKIII	C81	FX19772	Pressure Gauge 23mm Dreamline 300bar	D100	FX2505	Countersunk Screw M4x10
C57	FX20305	Pellet probe screw Wildcat MKIII	C82	FX19762	X-ring 3,63x2,62 NBR 70	D101	FX15008	Trigger guard HW98
C58	FX19516	Reloading Rod	C83	FX2024C	Valve Seat Mega Complete	D102	FX19547	Stock attachment M5-4M
C59	FX20304	Pellet probe carrier Wildcat MKIII	-	FX2024	Valve Seat Mega NOT SOLD SEPARATELY	D103	FX19483	Countersunk Screw M5x16
C60	FX19491	Cylindrical Pin 3m6x6	-	FX19108	O-ring 8x1 NBR 90	D104	FX2505	Countersunk Screw M4x10
C61	FX19039	Hammer V7	C84	19546-1C	Valve pin Wildcat SHP 6,8 complete	D105	FX19213	Cylindrical Pin 2h6x10
C62	FX19215	Hammer weight	-	19546-1	Valve pin Wildcat NOT SOLD SEPARATELY	STOCKS		
C63	FX11500	Hammer spring	-	19778	Valve gasket 7.4x3x5x2.9 Impact NOT SOLD SEPARATELY	Stock	FX20360	Synthetic stock Wildcat
C64	FX20355	Indication screw Wildcat MkIII	-	2041	Holder Valve Seal NOT SOLD SEPARATELY	Stock	FX20669	Stock Synthetic Wildcat MKIII BT
C65		Puck Indication screw Wildcat MkIII	-	FX2528	O-ring 1,5 x 1,0 NBR 70	BARRELS		
C66	FX20300	Spring seat Wildcat MKIII	C85	FX2525	Spring 0,6 x 4 x 15	E	All Cal.	FX Barrel STXS
C67	FX19481	Cup point grub screw M3x12	C86	FX4528	O-ring 7,66 x 1,78 NBR 70	E 4.5 500mm	FXB20341	Tube Kit Wildcat MK3 / Maverick 4.5 500mm
C68	FX11501	Spring 0,5x2,5x6,1	C87	FX20318	Valvehouse Wildcat MKIII	E 4.5 600mm	FXB20402	Tube Kit Wildcat MK3 / Maverick 4.5 600mm
C69	FX4066	Steel ball 3mm	C87.1	FX5111	O-ring 2,5 x 1,5 NBR 90	E 4.5 700mm	FXB20831	Tube Kit Wildcat MK3 / Maverick 4.5 700mm
C70	FX20303	Power adjuster Wildcat MKIII	C87.2	FX19038	Spring seat v7	E 5.5 500mm	FXB20342	Tube Kit Wildcat MK3 / Maverick 5.5 500mm
C71	FX20306	Power adjuster screw Wildcat MKIII 26mm	D DIAGRAM			E 5.5 600mm	FXB20403	Tube Kit Wildcat MK3 / Maverick 5.5 600mm
C71	FX20306-1	Power adjuster screw Wildcat MKIII 21mm	D88	FX19574	Metal Clevis M3 Wildcat	E 5.5 700mm	FXB20343	Tube Kit Wildcat MK3 / Maverick 5.5 700mm
C72	FX4066	Steel ball 3mm	D89	FX19585	Cylindrical Pin 1,5m6x6	E 6.35 500 mm	FXB20344	Tube Kit Wildcat MK3 / Maverick 6.35 500mm
C73	FX11503	Spring 0,5 x 2,5 x 4,4	D90	FX11060	Socket head cap Screw M3x18	E 6.35 600 mm	FXB20404	Tube Kit Wildcat MK3 / Maverick 6.35 600mm
C74	FX19177	Trigger Sear v7,8,12	D91	FX19483	Countersunk Screw M5x16	E 6.35 700 mm	FXB20345	Tube Kit Wildcat MK3 / Maverick 6.35 700mm
C75	FX5204	Spring 0,5 x 3 x 15	D92	FX19515	Stock Mount	E 7.62 500 mm	FXB20346	Tube Kit Wildcat MK3 / Maverick 7.62 500mm
C76	FX19528	Triggerbase Wildcat	D93	FX19518	Trigger pin Wildcat	E 7.62 600 mm	FXB20405	Tube Kit Wildcat MK3 / Maverick 7.62 600mm
C77	FX19742	Grub Screw M3x8	D94	FX19482	Nut M3	E 7.62 700 mm	FXB20347	Tube Kit Wildcat MK3 / Maverick 7.62 700mm
C77.1	FX2500	Grub Screw M3x6	D95	FX19585	Cylindrical Pin 1,5m6x6			
C78	FX2504	Countersunk Screw M3x6	D96	FX19506	Trigger Mount			
C78.1	FX11525	Trigger Wheel	D97	FX19136	Adjustable Trigger Blade			