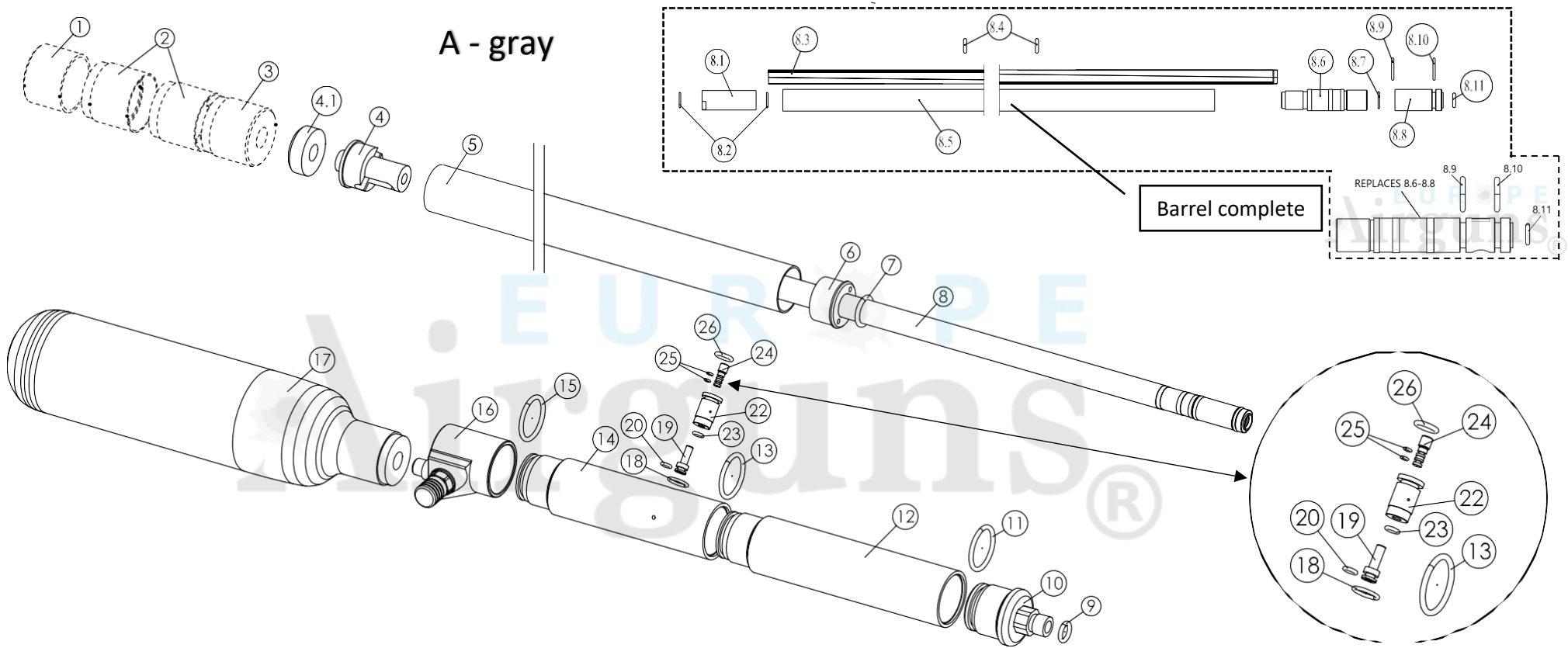
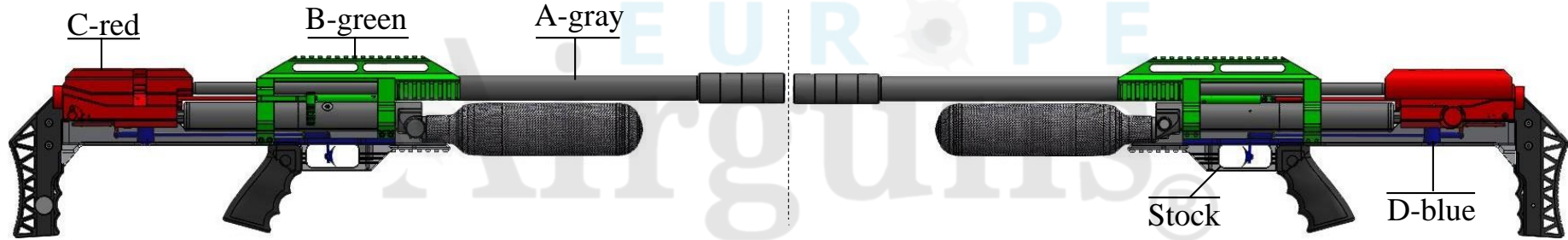


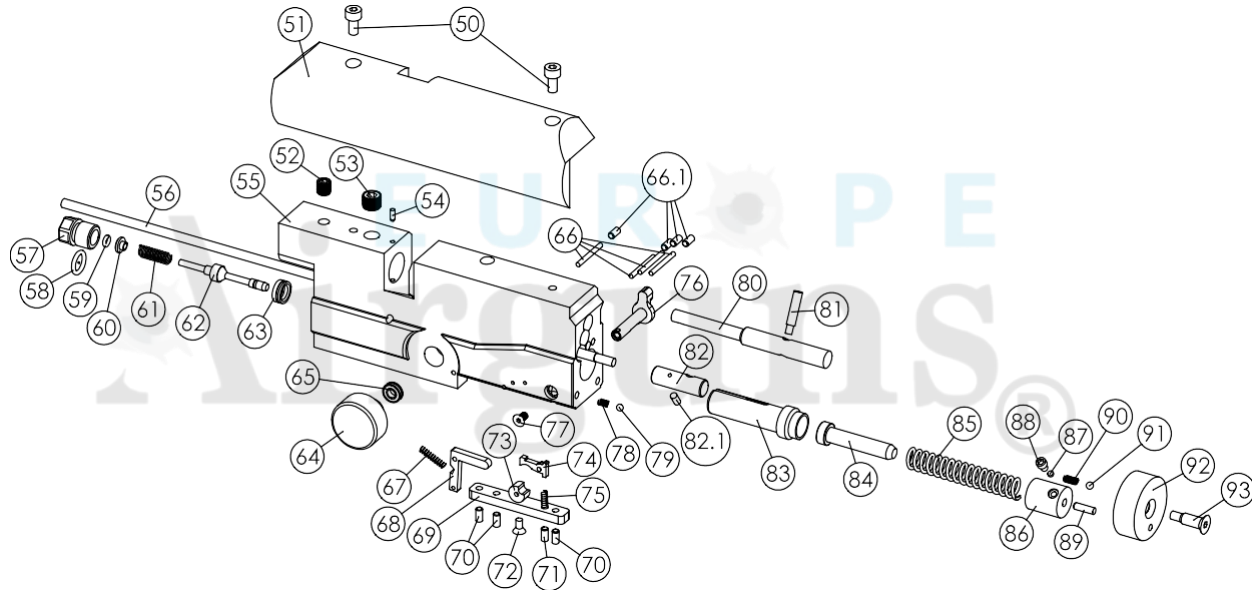
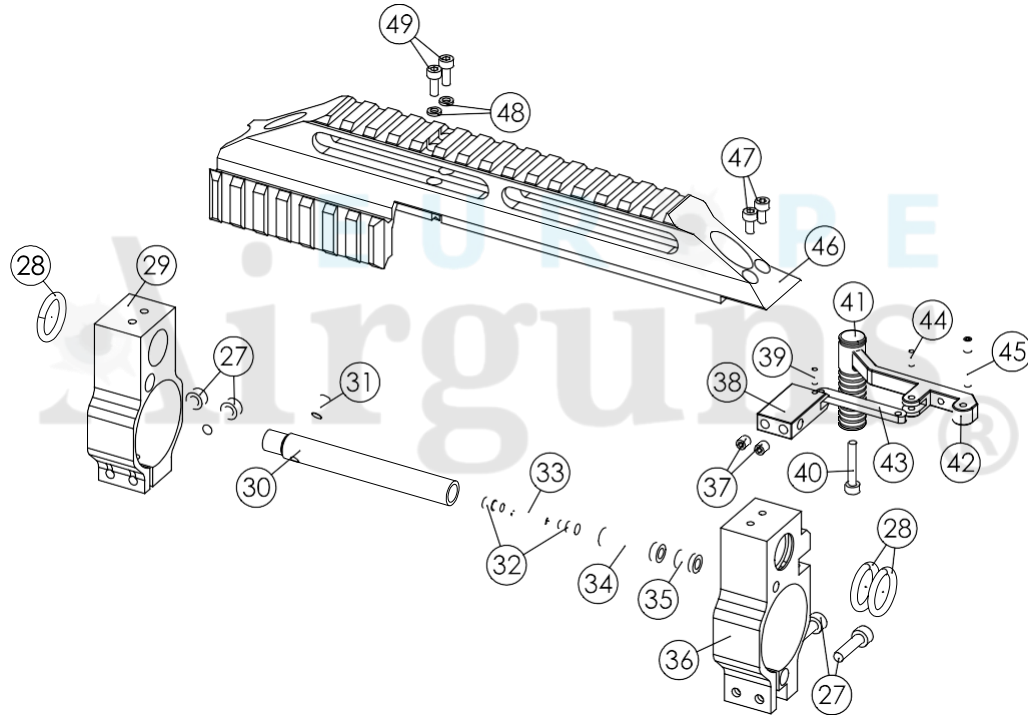
Model	Website	Date	Revision	Revision date
FX Maverick	<a href="https://europeairguns.com/en">https://europeairguns.com/en</a>	2023-12-27	EN.23.12	2023-12-27

Go to the list and click to go directly to the spare part at the webshop! **Worldwide shipping!**

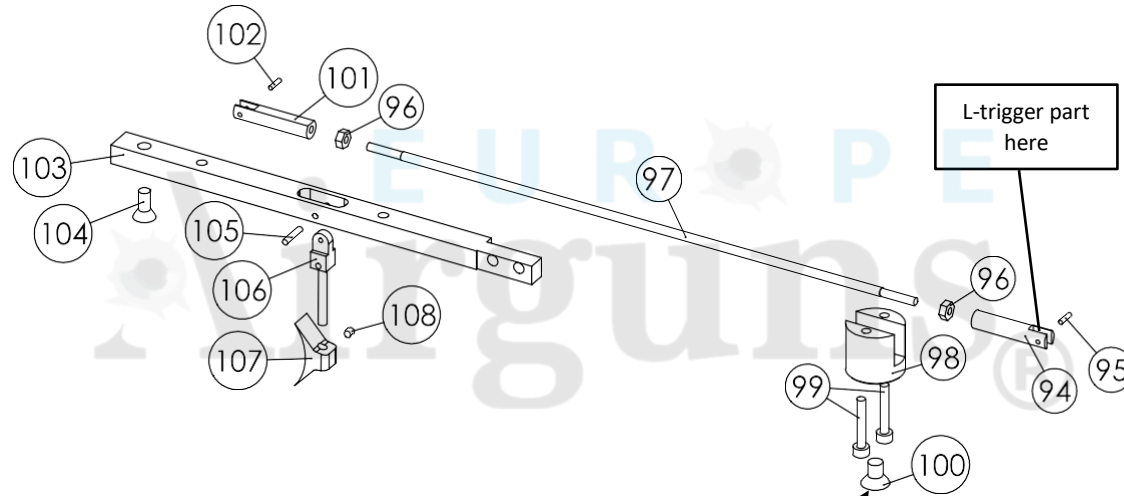
To find out more visit <https://europeairguns.com>

If there is a spare part that is missing, please contact us here: <https://europeairguns.com/en/contact-us>

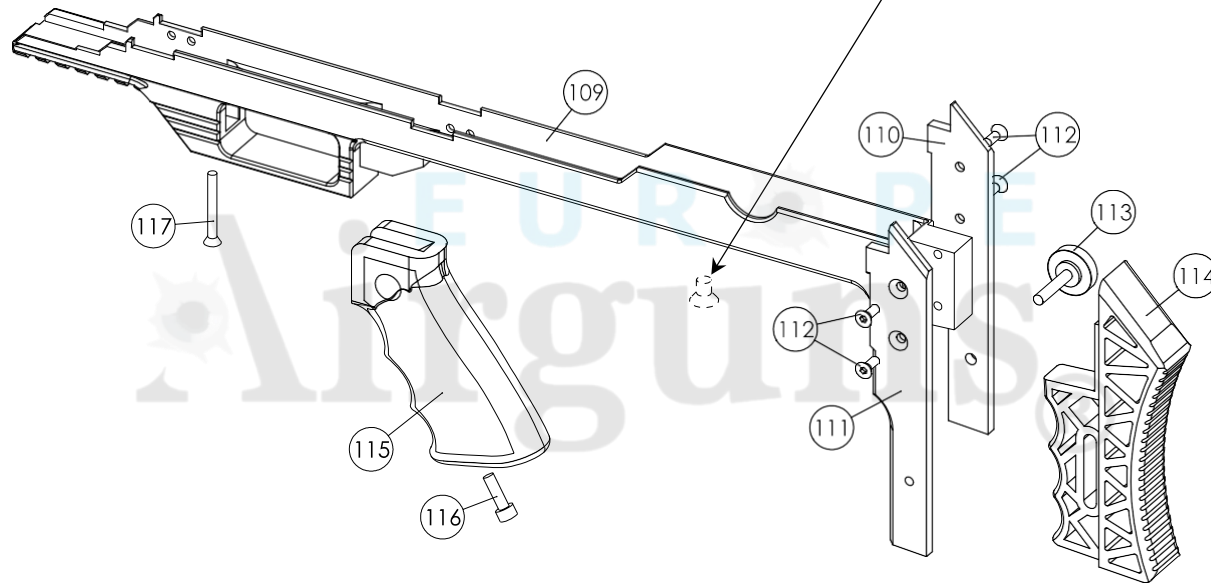




D - blue



E-Stock



NO	ART. NO	DESCRIPTION	NO	ART. NO	DESCRIPTION	NO	ART. NO	DESCRIPTION
A1*	<a href="#">FX19663</a>	<a href="#">Shroud endcap .25 35mm</a>	A 8.7 (.177)	<a href="#">FX19837</a>	<a href="#">O-ring 7x1 NBR 70</a>	A26	<a href="#">FX19225</a>	<a href="#">O-ring 7,5x2,0 NBR70</a>
A2*	<a href="#">FX19680</a>	<a href="#">Shroud Mid Part 35mm</a>	A 8.7 (.22)	<a href="#">FX19117</a>	<a href="#">O-ring 8x1 NBR 70</a>	<b>B DIAGRAM</b>		
A3*	<a href="#">FX19997</a>	<a href="#">Shroud Start 35mm UNF 1/2"</a>	A 8.7 (.25)	<a href="#">FX19954</a>	<a href="#">O-ring 9x1 NBR 70</a>	B27	FX5201	Socket Head Cap Screw M4x16
A4*	<a href="#">FX19794</a>	<a href="#">Compensator fixed .177-.22 UNF1/2"</a>	A 8.7 (.30)	<a href="#">FX19145</a>	<a href="#">O-ring 10x1 NBR 70</a>	B28	<a href="#">FX12045</a>	<a href="#">O-ring 13,95x2,62 NBR 70</a>
A4*	<a href="#">FX19998</a>	<a href="#">Compensator fixed .25 UNF1/2"</a>	A 8.6-8.8 NEW	<a href="#">FX20841</a>	<a href="#">Barrel Attachment W/Dual Inlet .177</a>	B29	<a href="#">FX20385</a>	<a href="#">Front barrel support Maverick</a>
A4*	<a href="#">FX19999</a>	<a href="#">Compensator fixed .30 UNF1/2"</a>	A 8.6-8.8 NEW	<a href="#">FX20842</a>	<a href="#">Barrel Attachment W/Dual Inlet .22</a>	B30	FX19511	Reloading Rod Guide
A4.1**	<a href="#">FX20176</a>	<a href="#">Muzzle-Thread Cover</a>	A 8.6-8.8 NEW	<a href="#">FX20843</a>	<a href="#">Barrel Attachment W/Dual Inlet .25</a>	B31	FX12033	Conical grub screw M4x8
A5	<a href="#">FX19573</a>	<a href="#">Shroud 230mm Wildcat US .22</a>	A 8.6-8.8 NEW	<a href="#">FX20844</a>	<a href="#">Barrel Attachment W/Dual Inlet .30</a>	B32	FX19586	Spring aligner
A5	<a href="#">FX19142</a>	<a href="#">Shroud 447mm Extreme</a>	A 8.8	<a href="#">FX19628</a>	<a href="#">Barrel inlet .177</a>	B33	<a href="#">FX5204</a>	<a href="#">Spring 0,5x3x15</a>
A6	<a href="#">FX19588</a>	<a href="#">Shroud Start Wildcat MKII</a>	A 8.8	<del>FX19629</del>	<del>Barrel inlet .22</del>	B34	FX19540	Long reloading rod bushing
A7	<a href="#">FX12045</a>	<a href="#">O-ring 13,95x2,62 NBR 70</a>	A 8.8	<a href="#">FX19670</a>	<a href="#">Barrel inlet .25</a>	B35	FX19541	Short Bushing For Reloading Rod
A 8.1	<a href="#">FX19968</a>	<a href="#">Liner Lock .177</a>	A 8.8	<a href="#">FX19671</a>	<a href="#">Barrel inlet .30</a>	B36	FX20386	Rear barrel support Maverick
A 8.1	<a href="#">FX19969</a>	<a href="#">Liner Lock .22</a>	A 8.9	<a href="#">FX19703</a>	<a href="#">O-ring 10x2 NBR 70 (.177, .22, .25)</a>	B37	<a href="#">FX3007</a>	<a href="#">Grub screw M4x4</a>
A 8.1	<a href="#">FX19970</a>	<a href="#">Liner Lock .25</a>	A 8.9	<a href="#">FX19210</a>	<a href="#">O-ring 11x1,5 NBR 70 (.30)</a>	B38	<a href="#">FX20301</a>	<a href="#">Slide Mount Wildcat MkIII</a>
A 8.1	<a href="#">FX19971</a>	<a href="#">Liner Lock .30</a>	A 8.10	<a href="#">FX19703</a>	<a href="#">O-ring 10x2 NBR 70</a>	B39	FX19042	Cylindrical Pin 2m6x8
A 8.2 (.177)	<a href="#">FX19837</a>	<a href="#">O-ring 7x1 NBR 70</a>	A 8.11 (.177)	<a href="#">FX2529</a>	<a href="#">O-ring 4,3 x 1,5 NBR 70</a>	B40	<a href="#">FX11060</a>	<a href="#">Socket Head Cap Screw M3x18</a>
A 8.2 (.22)	<a href="#">FX19117</a>	<a href="#">O-ring 8x1 NBR 70</a>	A 8.11 (.22)	<a href="#">FX19726</a>	<a href="#">O-ring 5,5 x 1,5 NBR 70</a>	B41	<a href="#">FX19611</a>	<a href="#">Side Lever Handle B2-IM-Wildcat</a>
A 8.3	<a href="#">FX19964</a>	<a href="#">STX Liner .177 500mm Superior</a>	A 8.11 (.25)	<a href="#">FX2575</a>	<a href="#">O-ring 6,35 x 1,27 NBR 70</a>	B42	<a href="#">FX20398</a>	<a href="#">Side Lever</a>
A 8.3	<a href="#">FX19965</a>	<a href="#">STX Liner .22 500mm Superior</a>	A 8.11 (.30)	<a href="#">FX19209</a>	<a href="#">O-ring 7,5x1,5 NBR 70</a>	B43	<a href="#">FX19021</a>	<a href="#">Side Lever Linkage</a>
A 8.3	<a href="#">FX20011</a>	<a href="#">STX Liner .22 600mm Superior</a>	A9	<a href="#">FX19486</a>	<a href="#">O-ring 8,3x2,4 NBR 70</a>	B44	<a href="#">FX19026</a>	<a href="#">Cylindrical pin 2,5m6x6</a>
A 8.3	<a href="#">FX20204</a>	<a href="#">STX Liner .22 700mm Superior</a>	A10	<a href="#">FX20377</a>	<a href="#">Rear tube end Wildcat MkIII</a>	B45	<a href="#">FX19034</a>	<a href="#">Screw M3 Special</a>
A 8.3	<a href="#">FX19976</a>	<a href="#">STX Liner .25 500mm Superior</a>	A11	<a href="#">FX19485</a>	<a href="#">O-ring 23,0x2,5 NBR 70</a>	B46	FX20384	Rail Maverick
A 8.3	<a href="#">FX19966</a>	<a href="#">STX Liner .25 600mm Superior</a>	A12	<a href="#">FX20268</a>	<a href="#">Power adapter Dreamline</a>	B47	<a href="#">FX19713</a>	<a href="#">Socket head cap screw M3x6</a>
A 8.3	<a href="#">FX19977</a>	<a href="#">STX liner .25 700mm Superior</a>				B48	<a href="#">FX19736</a>	<a href="#">Plastic Washer 5,3x3,1x1</a>
A 8.3	<a href="#">FX20369</a>	<a href="#">STX Liner .30 500mm Superior</a>	A13	<a href="#">FX19485</a>	<a href="#">O-ring 23,0x2,5 NBR 70</a>	B49	<a href="#">FX12610</a>	<a href="#">Socket head cap screw M3x8</a>
A 8.3	<a href="#">FX19967</a>	<a href="#">STX Liner .30 600mm Superior</a>	A14	<a href="#">FX20325</a>	<a href="#">Power adapter with regulator hole</a>	<b>C DIAGRAM</b>		
A 8.3	<a href="#">FX19978</a>	<a href="#">STX Liner .30 700mm Superior</a>	A15	<a href="#">FX19485</a>	<a href="#">O-ring 23,0x2,5 NBR 70</a>	C50	FX5230	Socket head cap screw M4x6
A 8.4 (.177)	<a href="#">FX19958</a>	<a href="#">O-ring 6,02x2,62 NBR 70</a>	A16	<a href="#">FX20148C</a>	<a href="#">Bottle adapter Dreamline complete, see schematic F10101</a>	C51	FX20361	Cheekrest piece Wildcat MkIII
A 8.4 (.22)	<a href="#">FX19952</a>	<a href="#">O-ring 5,23x2,62 NBR 70</a>	A17	-	<a href="#">Airbottle, see Bottle schematic</a>	C52	<a href="#">FX19086</a>	<a href="#">Conical Grub Screw M6x8</a>
A 8.4 (.25)	<a href="#">FX19953</a>	<a href="#">O-ring 5,5x2 NBR 70</a>	A18	<a href="#">FX19790</a>	<a href="#">O-ring 10x1,5 NBR90</a>	C53	<a href="#">FX19955</a>	<a href="#">Grub screw M8x6</a>
A 8.4 (.30)	<a href="#">FX2575</a>	<a href="#">O-ring 6,35 x 1,27 NBR 70</a>	A19	<a href="#">FX19696 &amp; FX20858</a>	<a href="#">Regulator Piston Brass</a>	C54	<a href="#">FX19601</a>	<a href="#">Cylindrical pin 2h6x6, if depth is 24mm</a>
A 8.5	<a href="#">FX19973</a>	<a href="#">Barrel housing 14x1x435mm</a>		<a href="#">FX21070</a>	<a href="#">New Regulator Piston Brass Dynamic</a>	C54	FX2518	<a href="#">Cylindrical pin 2h6x8, if depth is 26mm</a>
A 8.5	<a href="#">FX19972</a>	<a href="#">Barrel housing 14x1 550mm</a>	A20	<a href="#">FX19109</a>	<a href="#">O-ring 4x1,5 NBR70</a>	C55	FX20380R	Maverick main block
A 8.5	<a href="#">FX19974</a>	<a href="#">Barrel housing 14x1 650mm</a>	A21	N/A	N/A	C56	<a href="#">FX19516</a>	<a href="#">Reloading Rod</a>
A 8.6	<a href="#">FX19960</a>	<a href="#">Barrel Attachment .177</a>	A22	<a href="#">FX19697-1</a>	<a href="#">Regulator house</a>	C57	<a href="#">FX20318</a>	<a href="#">Valvehouse Wildcat MkIII</a>
A 8.6	<del>FX19961</del>	<del>Barrel Attachment .22</del>	A23	<a href="#">FX19109</a>	<a href="#">O-ring 4x1,5 NBR70</a>	C58	<a href="#">FX4528</a>	<a href="#">O-ring 7,66 x 1,78 NBR 70</a>
A 8.6	<a href="#">FX19962</a>	<a href="#">Barrel Attachment .25</a>	A24	<a href="#">FX19695</a>	<a href="#">Regulator Screw</a>	C59	<a href="#">FX5111</a>	<a href="#">O-ring 2,5 x 1,5 NBR 90</a>
A 8.6	<a href="#">FX19963</a>	<a href="#">Barrel Attachment .30</a>	A25	<a href="#">FX19731</a>	<a href="#">O-ring 2x1 NBR90</a>	C60	<a href="#">FX19038</a>	<a href="#">Spring seat v7</a>

\*=optional, \*\* = For shroud without shroud extension

NO	ART. NO	DESCRIPTION	NO	ART. NO	DESCRIPTION	NO	ART. NO	DESCRIPTION	
C61	<a href="#">FX2525</a>	<a href="#">Spring 0,6 x 4 x 15</a>	C86	<a href="#">FX20300</a>	<a href="#">Spring seat Wildcat MKIII</a>				
C62	<a href="#">FX19546-1C</a>	<a href="#">Valve pin Wildcat SHP 6,8 cpl.</a>	C87		Puck Indication screw Wildcat MkIII				
-	<a href="#">FX19546-1</a>	<a href="#">Valve pin Wildcat</a>	C88	<a href="#">FX20355</a>	<a href="#">Indication screw Wildcat MkIII</a>				
-	<a href="#">FX19778</a>	<a href="#">Valve gasket 7.4x3x5x2.9 Impact</a>	C89	<a href="#">FX19481</a>	<a href="#">Cup point grub screw M3x12</a>				
-	<a href="#">FX2041</a>	<a href="#">Holder Valve Seal</a>	C90	<a href="#">FX11501</a>	<a href="#">Spring 0,5x2,5x6,1</a>				
-	<a href="#">FX2528</a>	<a href="#">O-ring 1,5 x 1,0 NBR 70</a>	C91	<a href="#">FX4066</a>	<a href="#">Steel ball 3mm</a>				
C63	<a href="#">FX2024C</a>	<a href="#">Valve Seat Mega Complete</a>	C92	<a href="#">FX20303</a>	<a href="#">Power adjuster Wildcat MKIII 7 position</a>				
-	<a href="#">FX2024</a>	<a href="#">Valve Seat Mega</a>	C92*	<a href="#">EA20303</a>	<a href="#">Power Adjuster 20 position</a>				
-	<a href="#">FX19108</a>	<a href="#">O-ring 8x1 NBR 90</a>	C93	<a href="#">FX20306</a>	<a href="#">Power adjuster screw Wildcat MKIII</a>				
C64	<a href="#">FX19772</a>	<a href="#">Pressure Gauge 23mm Dreamline 300bar</a>	<b>D DIAGRAM</b>						
C65	<a href="#">FX19762</a>	<a href="#">X-ring 3,63x2,62 NBR 70</a>	D94	<a href="#">FX19574</a>	<a href="#">Metal Clevis M3 Wildcat</a>				
C66	<a href="#">FX11502</a>	<a href="#">Cylindrical pin 2h6x20</a>	D95	<a href="#">FX19585</a>	<a href="#">Cylindrical Pin 1,5m6x6</a>				
C66.1	<a href="#">FX2500</a>	<a href="#">Grub screw M3x6</a>	D96	<a href="#">FX19482</a>	<a href="#">Nut M3</a>				
C67	<a href="#">FX19498</a>	<a href="#">Spring 0,2 x 2,5 x 13,1</a>	D97	<a href="#">FX19518</a>	<a href="#">Trigger pin Wildcat</a>				
C68	<a href="#">FX19527</a>	<a href="#">Wildcat L Triggerpart</a>	D98	<a href="#">FX19515</a>	<a href="#">Stock Mount</a>				
C69	<a href="#">FX19528</a>	<a href="#">Triggerbase Wildcat</a>	D99	<a href="#">FX11060</a>	<a href="#">Socket head cap Screw M3x18</a>				
C70	<a href="#">FX19742</a>	<a href="#">Grub Screw M3x8</a>	D100	<a href="#">FX19025</a>	<a href="#">Countersunk screw M5x8</a>				
C71	<a href="#">FX2500</a>	<a href="#">Grub Screw M3x6</a>	D101	<a href="#">FX19574</a>	<a href="#">Metal Clevis M3 Wildcat</a>				
C72	<a href="#">FX2504</a>	<a href="#">Countersunk Screw M3x6</a>	D102	<a href="#">FX19585</a>	<a href="#">Cylindrical Pin 1,5m6x6</a>				
C73	<a href="#">FX11525</a>	<a href="#">Trigger Wheel</a>	D103	<a href="#">FX19506</a>	<a href="#">Trigger Mount</a>				
C74	<a href="#">FX19177</a>	<a href="#">Trigger Sear v7,8,12</a>	D104	<a href="#">FX2505</a>	<a href="#">Countersunk Screw M4x10</a>				
C75	<a href="#">FX5204</a>	<a href="#">Spring 0,5 x 3 x 15</a>	D105	<a href="#">FX19213</a>	<a href="#">Cylindrical Pin 2h6x10</a>				
C76	<a href="#">FX20388</a>	<a href="#">Safety Maverick</a>	D106	<a href="#">FX19506</a>	<a href="#">Trigger Mount</a>				
C77	<a href="#">FX2504</a>	<a href="#">Countersunk screw M3x6</a>	D107	<a href="#">FX19136</a>	<a href="#">Adjustable Trigger Blade</a>				
C78	<a href="#">FX11503</a>	<a href="#">Spring 0,5 x 2,5 x 4,4</a>	D108	<a href="#">FX12035</a>	<a href="#">Grub Screw M2,5x2,5</a>				
C79	<a href="#">FX4066</a>	<a href="#">Steel ball 3mm</a>	<b>E DIAGRAM</b>						
C80	<a href="#">FX20319</a>	<a href="#">Pellet probe .177 Wildcat MKIII</a>	E109	<a href="#">FX20381</a>	<a href="#">Maverick stock</a>				
C80	<a href="#">FX20320</a>	<a href="#">Pellet probe .22 Wildcat MKIII</a>	E110	<a href="#">FX20382</a>	<a href="#">Right plate Maverick</a>				
C80	<a href="#">FX20321</a>	<a href="#">Pellet probe .25 Wildcat MKIII</a>	E111	<a href="#">FX20383</a>	<a href="#">Left plate Maverick</a>				
C80	<a href="#">FX20322</a>	<a href="#">Pellet probe .30 Wildcat MKIII</a>	E112	<a href="#">FX2505</a>	<a href="#">Countersunk screw M4x10</a>				
C81	<a href="#">FX20305</a>	<a href="#">Pellet probe screw Wildcat MKIII</a>	E113	<a href="#">FX19728C</a>	<a href="#">Adjustment Screw Recoilpad complete</a>				
C82	<a href="#">FX20304</a>	<a href="#">Pellet probe carrier Wildcat MKIII</a>	E113	<a href="#">FX19728</a>	<a href="#">Nutpad Adjuster Screw</a>				
C82.1	<a href="#">FX19491</a>	<a href="#">Cylindrical Pin 3m6x6</a>	E114	<a href="#">FX19618</a>	<a href="#">Recoilpad</a>				
C83	<a href="#">FX19039</a>	<a href="#">Hammer V7</a>	E115	<a href="#">FX19710</a>	<a href="#">Houge Grip Rubber AR15</a>				
C84	<a href="#">FX19215</a>	<a href="#">Hammer weight</a>	E116	<a href="#">FX19743</a>	<a href="#">Socket head cap screw M6x20</a>				
C85	<a href="#">FX11500</a>	<a href="#">Hammer spring</a>	E117	<a href="#">FX5232</a>	<a href="#">Countersunk screw M4x35</a>				