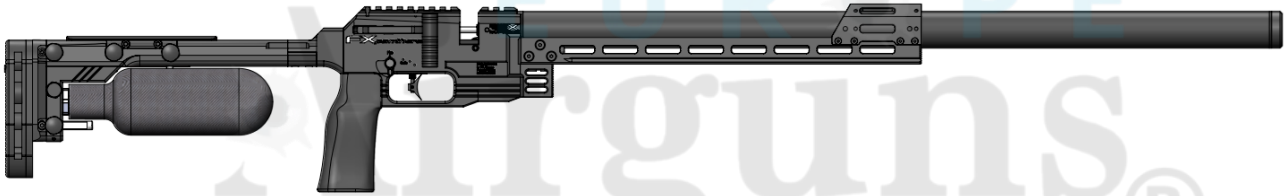


Model	Website	Date	Revision	Revision date
FX Panthera	https://europeairguns.com/en	2023-12-26	EN.23.12	2023-12-26

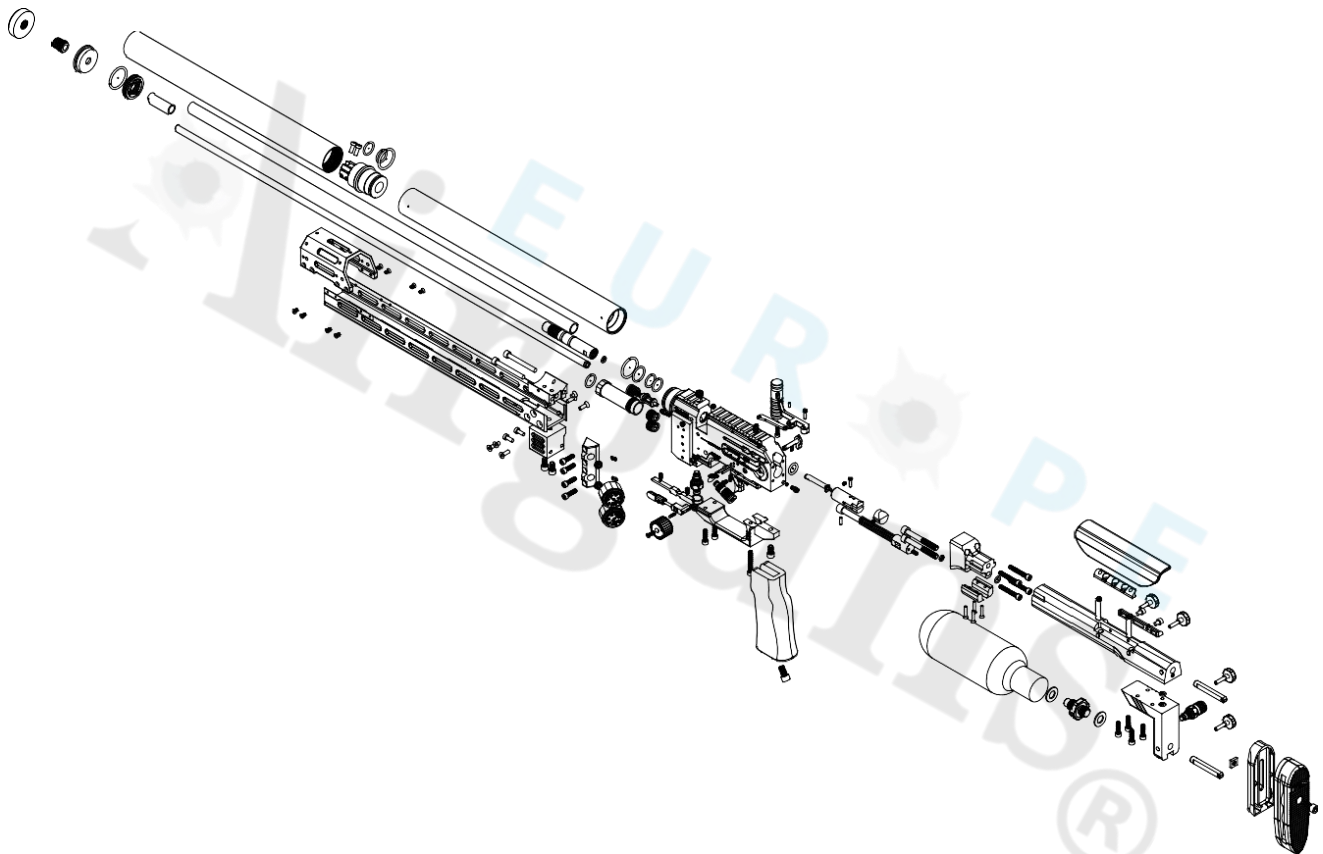
Go to the list and click to go directly to the spare part at the webshop! **Worldwide shipping!**

To find out more visit <https://europeairguns.com>

If there is a spare part that is missing, please contact us here: <https://europeairguns.com/en/contact-us>



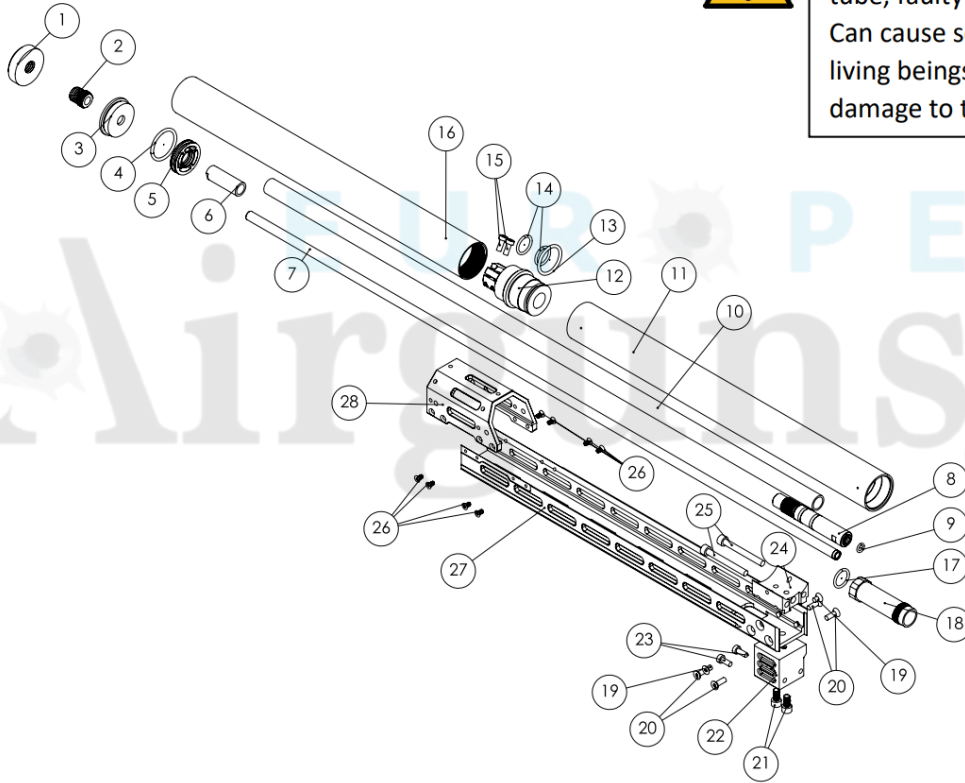
FXpanthera



A



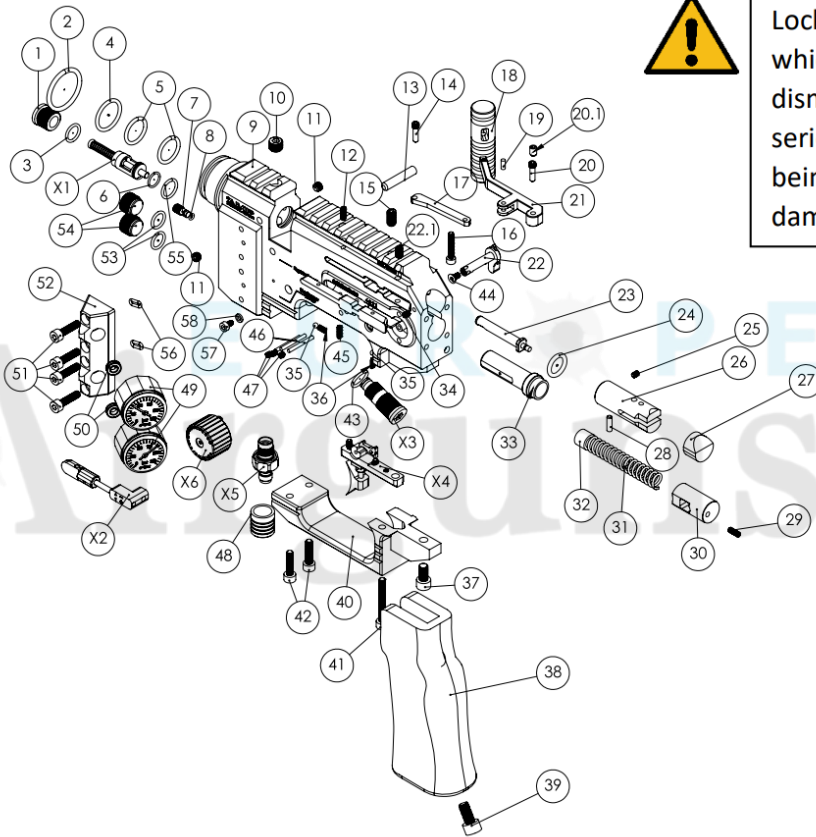
Barrel system A1-A18 runs thru a pressurized tube, faulty dismantling or faulty re-assembly Can cause serious injury to yourself and other living beings in the proximity. Can cause serious damage to the gun and property close by.



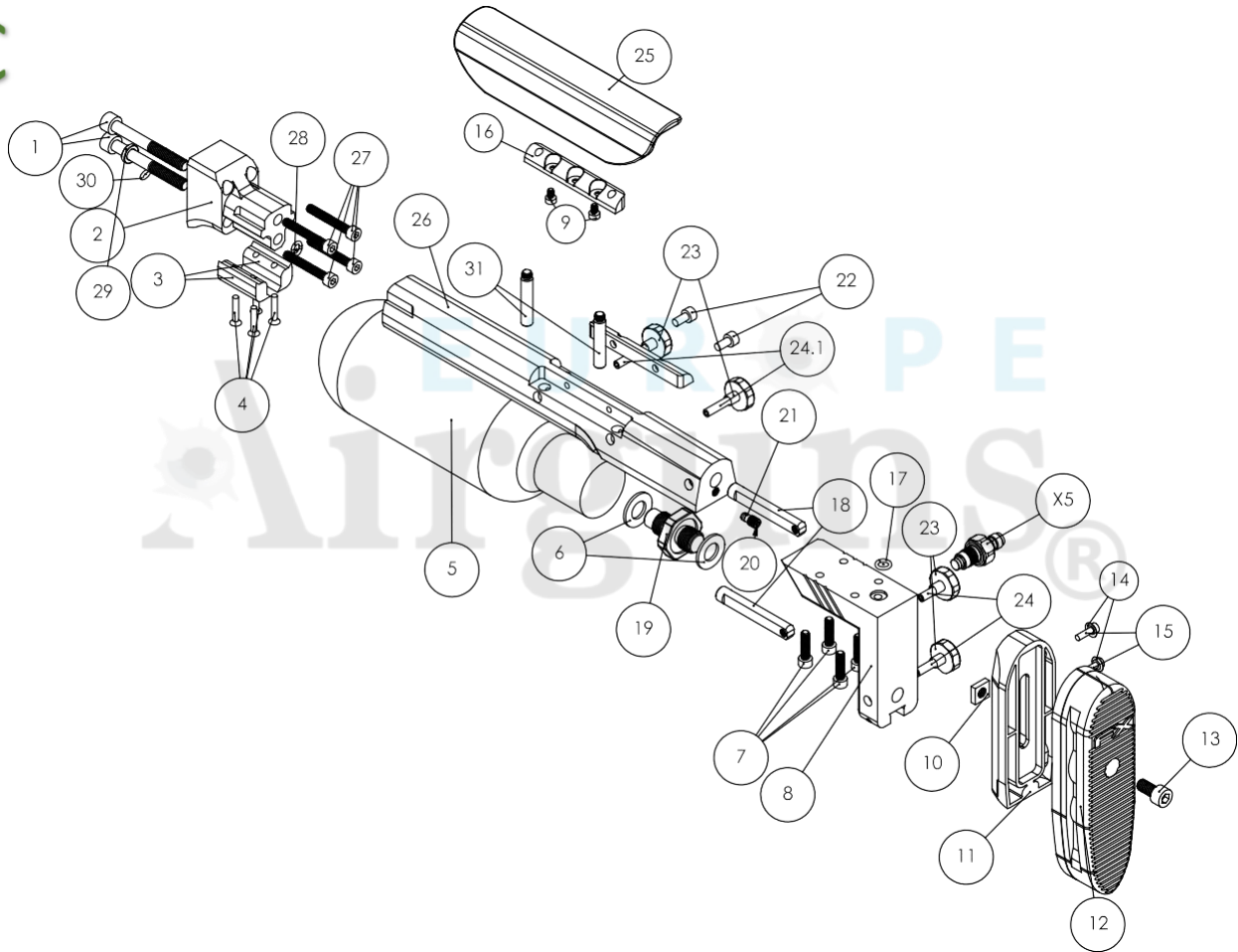
B



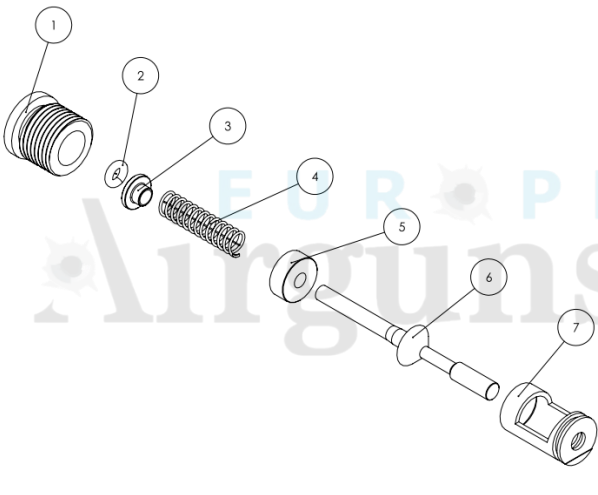
Locking screw A11 holds the barrel system which runs thru a pressurized tube, faulty dismantling or faulty re-assembly Can cause serious injury to yourself and other living beings in the proximity. Can cause serious damage to the gun and property close by.



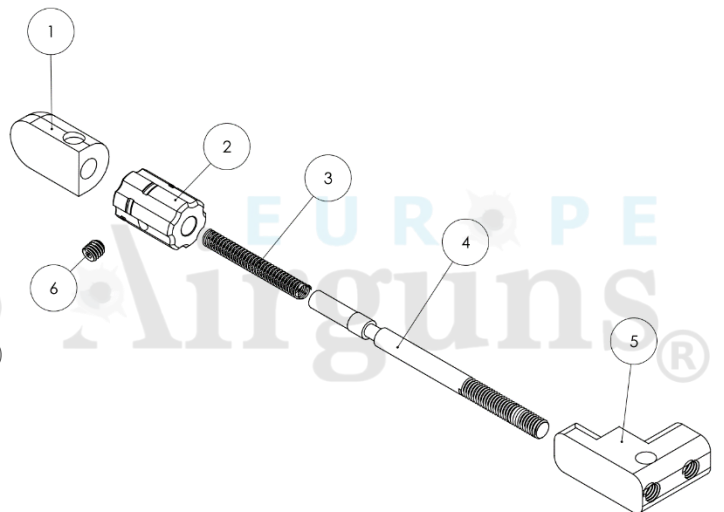
C



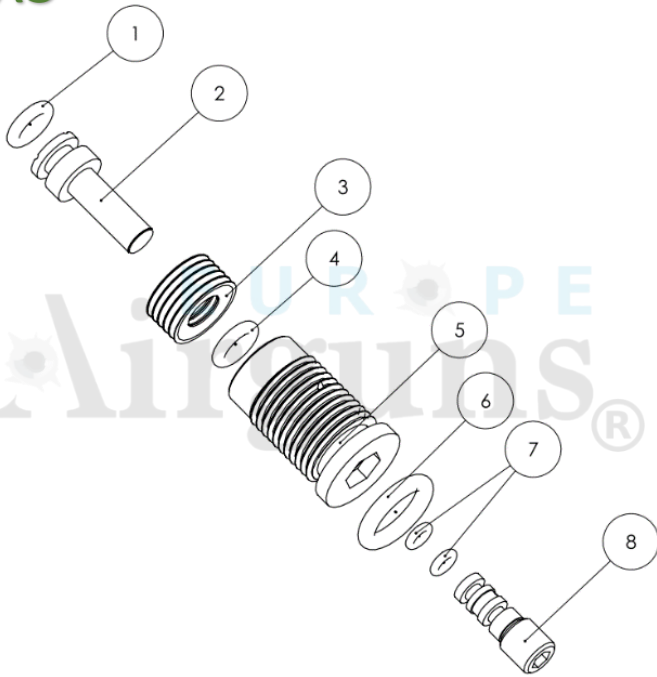
X1



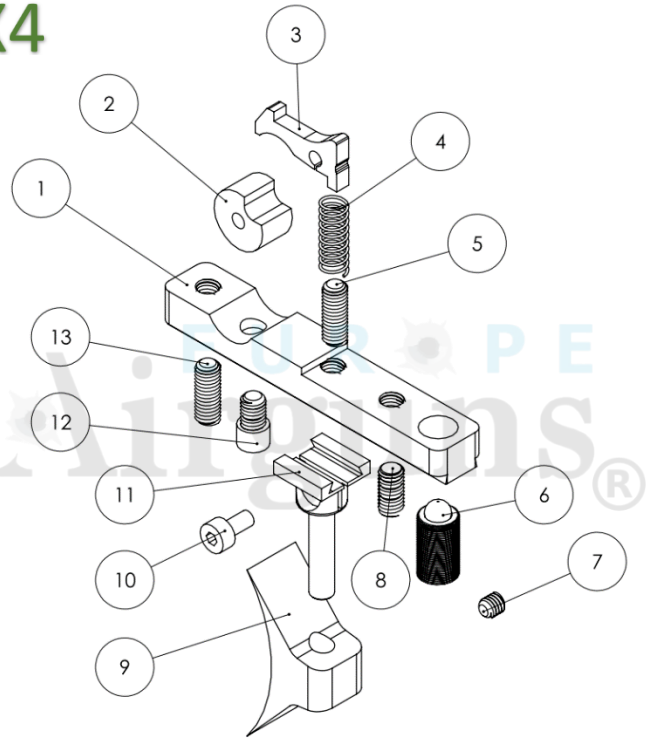
X2



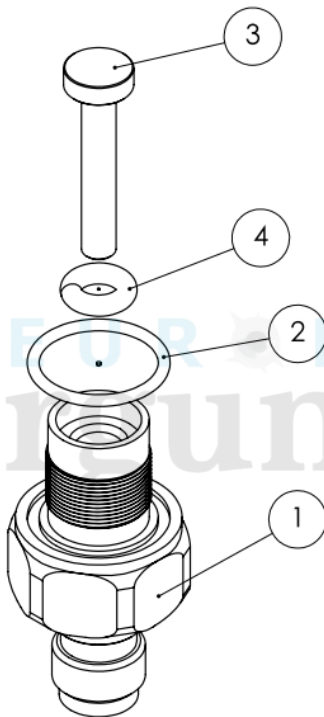
X3



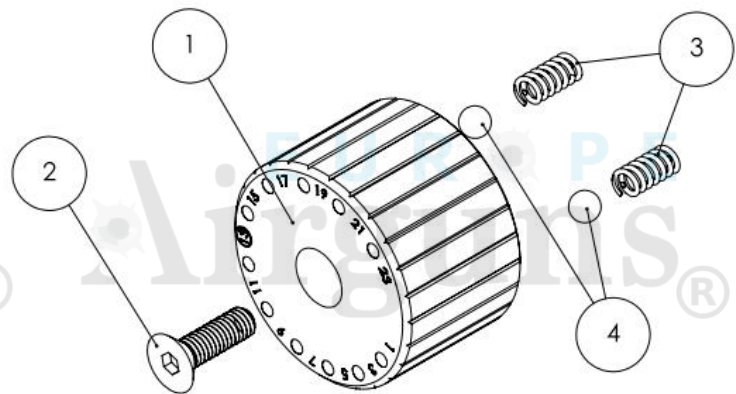
X4



X5



X6



NO	ART. NO	DESCRIPTION	NO	ART. NO	DESCRIPTION
A DIAGRAM			B18	FX10301	Side lever handle
A1	FX20945	Muzzle-Thread Cover	B19	FX19026	Cylindrical pin 2,5m6x6
A2 .177, .22	FX10332-22	Muzzle thread insert .177, .22	B20.1	FX2501	Cup point grub screw M4x6
A2 .25	FX10332-25	Muzzle thread insert .25	B21	FX20914	Sidelever Dynamic
A2 .30	FX10332-30	Muzzle thread insert .30	B22	FX19610	Safety
A2			B22.1	FX12033	Grub screw M4x8
A3	FX20944	Shroud Muzzle Cap Dynamic	B23 .177	FX20918	Pellet probe .177 Dynamic
A4	FX19105	O-ring 25x2,5 NBR70	B23 .22	FX20919	Pellet probe .22 Dynamic
A5	FX20943	Shroud Bushing with airvents Dynamic	B23 .25	FX20920	Pellet probe .25 Dynamic
A6	Support page	See schematic	B23 .30	FX20921	Pellet probe .30 Dynamic
A7	Support page	See schematic	B23 .35	FX20922	Pellet probe .35 Dynamic
A8 .177	FX20928	Barrel inlet .177 Dynamic	B24	FX5159	O-ring 10,6x2,4 NBR70
A8 .22	FX20929	Barrel inlet .22 Dynamic	B25	FX16092	Grub screw M3x4
A8 .25	FX20930	Barrel inlet .25 Dynamic	B26	FX20916	Carrier Dynamic
A8 .30	FX20931	Barrel inlet .30 Dynamic	B27	FX20913	Reloading Protection
A8 .			B28	FX11509	Cylindrical pin 3h6x10
A9 .177	FX5114	O-ring 4,3x1,5 NBR70	B29	FX19742	Grub screw M3x8
A9 .22	FX19726	O-ring 5,5x1,5 NBR70	B30	FX20951	Spring Guide Dynamic
A9 .25	FX2575	O-ring 6,35x1,27 NBR70	B31	FX2604	Hammerspring 52mm
A9 .30	FX19209	O-ring 7,5x1,5 NBR70	B32	FX11540	Hammer Weight
A9			B33	FX19039	Hammer V7
A10	Support page	See schematic	B34	FX19109	O-ring 4,0x1,5 NBR70
A11	Support page	See schematic	B35	FX4066	Steel ball 3mm
A12	FX20938	Valvetube End, Plenum PRS	B36	FX11501	Spring 0,5x2,5x6,1
A13	FX19485	O-ring 23,0x2,5 NBR70	B37	FX5173	Socket head cap screw M5x10
A14	FX19950	O-ring 14x2 NBR70	B38	FX20911	AR 15 Grip
A15	FX19480	Socket head cap screw M4x10	B39	FX5170	Socket head cap screw M6x12
A16	Support page	See schematic	B40	FX20912	Trigger Guard Dynamic
A17	FX19950	O-ring 14x2 NBR70	B41	FX2536	Socket head cap screw M4x30
A18	FX20933	Barrelsupport Dynamic	B42	FX5201	Socket head cap screw M4x16
A19-A28	FX21054C	Arca Panthera Compact Complete	B43	FX19790	O-ring 10,0x1,5 NBR90
A19	FX5208	Countersunk screw M4x6	B44	FX2504	Countersunk screw M3x6
A20	FX5225	Countersunk screw M4x12	B45	FX19742	Grub screw M3x8
A21	FX5202	Socket head cap screw M5x12	B46	FX11502	Cylindrical pin 2h6x20
A22	FX20934	Barricade Stop Dynamic	B47	FX2562	Grub screw M3x3
A23	FX19480	Socket head cap screw M4x10	B48	FX19910	Dust cover – Quick connection
A24	FX20988	Support Block Dynamic	B49	FX19791C	Manometer 27mm WIKA 300 bar
A25	FX2512	Socket head cap screw M5x55	B49	FX19775	Manometer 28mm 250 bar
A26	FX13039	Countersunk screw M3x8	B50	FX19762	X-ring 3,63x2,62 NBR70
A27	FX20935	Fore End Stock Dynamic	B51	FX5201	Socket head cap screw M4x16
A28	FX20942	Fore End Top Accessory Mount Dynamic	B52	FX20986	Angled Mount (Dual) Dynamic
B DIAGRAM			B53	FX19835	O-ring 8x2 NBR70
B1	FX20925	Valve Housing Dynamic	B54	FX20927	Plugg M12 Dynamic
B2	FX19485	O-ring 23,0x2,5 NBR70	B55	FX19790	O-ring 10,0x1,5 NBR90
B3	FX19763	O-ring 9x1,5 NBR70	B56	FX19726	O-ring 5,5x1,5 NBR70
B4	FX5178	O-ring 16,5x2 NBR90	B57	FX19715	Socket head cap screw M3x5
B5	FX19950	O-ring 14x2 NBR70	B58	FX19736	Plastic Washer 5,3x3,1x1
B6	FX19108	O-ring 8x1 NBR90	C DIAGRAM		
B7	FX19694	Brass adapter Impact	C1	FX5172	Socket head cap screw M6x55
B8	FX19761	O-ring 2,2x1 NBR70	C2	FX20909	Rear Stock Transition Dynamic
B9	FX21074R	Main Block Dynamic	C3	FX20910	Transition Cover Dynamic
B10	FX11532	Grub screw M8x10	C4	FX5171	Countersunk screw M3x12
B11	FX19114	Grub screw M5x6	C5	Support page	See schematic "Bottle"
B12	FX19742	Grub screw M3x8	C6	FX11507	Rubber/Steel Washer
B13	FX2526	Grub screw M5x25	C7	FX5201	Socket head cap screw M4x16
B14	FX20946	Carrier Screw Dynamic	C8	FX20902	Recoilpad L-Mount Dynamic
B15	FX10374	Second stage trigger screw M5	C9	FX19715	Socket head cap screw M3x5
B16	FX11060	Socket head cap screw M3x22	C10	FX5176	M6 nut
B17	FX20915	Linkage Dynamic	C11	FX20901	Recoilpad Mount Dynamic

C12	FX20900	Recoilpad Dynamic	X-3 DIAGRAM		
C13	FX5170	Socket head cap screw M6x12	X3-1	FX19109	O-ring 4x1,5 NBR 70
C14	FX16123	Screw M4x12	X3-2	FX19696	Regulator piston (long) (May 2017>)
C15	FX2570	Washer 10x4,2x0,5	X3-3	FX0198	Bellview washers Crown/Imp FAC
C16	FX20977	Cheek Piece Mount Dynamic	X3-4	FX19109	O-ring 4x1,5 NBR 70
C17	FX19726	O-ring 5,5x1,5 NBR70	X3-5	FX19697-1	Regulator house
C18	FX20908	Recoilpad rod Dynamic	X3-6	FX19225	O-ring 7,5x2 NBR70
C19	FX20983	Bottle connector PRS	X3-7	FX19731	O-ring 2x1 NBR 90
C20	FX19694	Brass adapter Impact	X3-8	FX19695	Regulator Screw Impact
C21	FX19761	O-ring 2,2x1 NBR70	X-4 DIAGRAM		
C22	FX5230	Socket head cap screw M4x6	X4-1	FX19924	Trigger base Crown
C23	FX20948	Cheek Piece Locking Knob Dynamic	X4-2	FX11525	Trigger wheel
C24	FX5201	Grubscrew M4x16	X4-3	FX19934	Trigger sear Crown
C24.1	FX5174	Grubscrew M4x20	X4-4	FX11504	Spring 0,32x3,2x14,4
C25	FX20950	Cheek Piece Dynamic	X4-5	FX19742	Grub screw M3x8
C26	FX20907	Rear Stock Dynamic	X4-6	FX11015	Second stage trigger screw M5
C27	FX2536	Grub screw M4x30	X4-7	FX12035	Grub screw M2,5x2,5
C28	FX5125	O-ring 6,5x1,5 NBR70	X4-8	FX2500	Grub screw M3x6
C29	FX20973	Plastic washer 6x10x2	X4-9	FX19136	Adjustable trigger blade
C30	FX19109	O-ring 4,0x1,5 NBR70	X4-10	FX19178	Socket head cap screw M2x4
C31	FX20949	Cheek Piece Bar Dynamic	X4-11	FX19137	Triggerpin
X-1 DIAGRAM			X4-12	FX19927	Screw trigger roll Crown
X1-1	FX20925	Valve holder	X4-13	FX19742	Grub screw M3x8
X1-2	FX15016	O-ring 2,9x1,78 NBR70	X-5 DIAGRAM		
X1-3	FX20959	Spring seat	X5-1	FX16303	Quick connector short
X1-4	FX19850	Spring 0,5x4x20	X5-2	FX19720	O-ring 10x1 NBR90
X1-5	FX20926	Valve gasket	X5-3	FX19005	Inlet valve rod
X1-6	FX20924	Vave rod	X5-4	FX5107	2,9x1,78 PUR90
X1-7	FX20923	Valve seat	X-6 DIAGRAM		
X1-8	FX5158	O-ring 3,5x1 NBR70	X6-1	FX19908	Power adjuster Crown
X-2 DIAGRAM			X6-2	FX2508	Countersunk screw M3x10
X2-1	FX10293	Quick adjustment guide Impact M3	X6-3	FX11501	Spring 0,5x2,5x6,1
X2-2	FX10292	Quick adjustment wheel Impact M3	X6-4	FX4066	Steel ball 3mm
X2-3	FX1147	Spring 0,25X2,37X20			
X2-4	FX10291	Quick adjustment axle Impact M3			
X2-5	FX20050-1	Hammer Adjuster/Dreamline/Crown			
X2-6	FX12035	Grub screw M2,5x2,5			