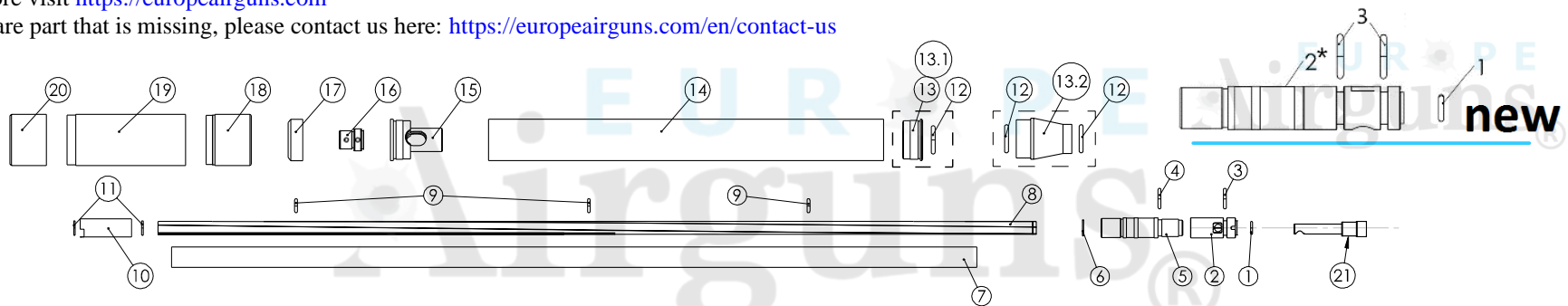


Model	Website	Date	Revision	Revision date
FX Impact M3 Mk2 Barrel	<a href="https://europeairguns.com/en">https://europeairguns.com/en</a>	2023-12-16	EN.23.12	2023-12-16

As easy as clicking on the spare part to get to the webshop! Worldwide shipping!

To find out more visit <https://europeairguns.com>

If there is a spare part that is missing, please contact us here: <https://europeairguns.com/en/contact-us>



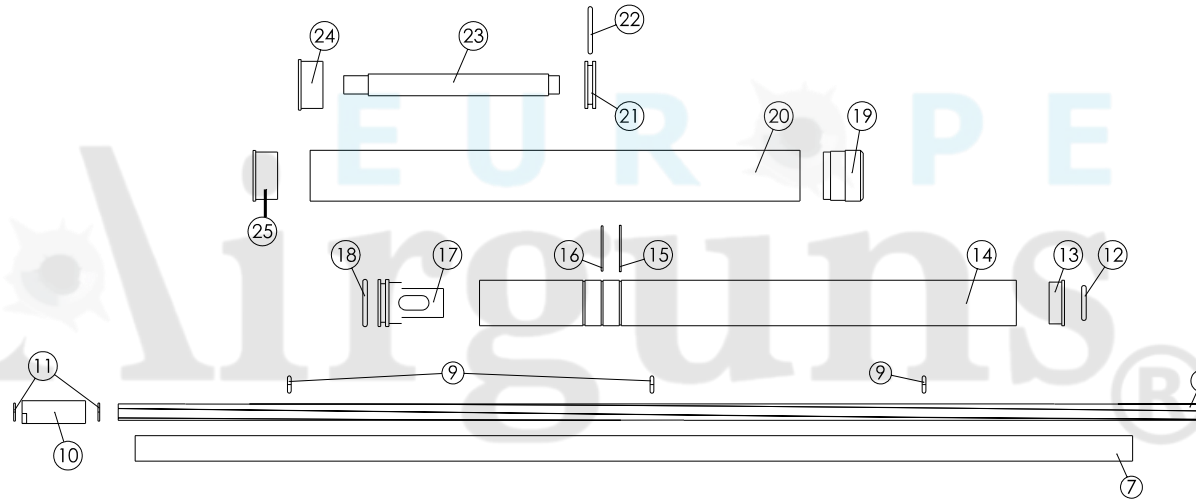
NO	ART. NO	DESCRIPTION	NO	ART. NO	DESCRIPTION
1 - .177	<a href="#">FX2529</a>	<a href="#">O-ring 4,3 x 1,5 NBR 70</a>	8	<a href="#">FX20369</a>	<a href="#">STX Liner .30 500mm Superior</a>
1 - .22	<a href="#">FX19726</a>	<a href="#">O-ring 5,5 x 1,5 NBR 70</a>	8	<a href="#">FX19967</a>	<a href="#">STX Liner .30 600mm Superior</a>
1 - .25	<a href="#">FX2575</a>	<a href="#">O-ring 6,35 x 1,27 NBR 70</a>	8	<a href="#">FX19978</a>	<a href="#">STX Liner .30 700mm Superior</a>
1 - .30	<a href="#">FX19209</a>	<a href="#">O-ring 7,5x1,5 NBR 70</a>	9 - .177	<a href="#">FX19958</a>	<a href="#">O-ring 6,02x2,62 NBR 70</a>
2 - .177	<a href="#">FX19628</a>	<a href="#">Barrel inlet .177</a>	9 - .22	<a href="#">FX19952</a>	<a href="#">O-ring 5,23x2,62 NBR 70</a>
2* - .177	<a href="#">FX20841</a>	<a href="#">Barrel Attachment W/Dual Inlet .177</a>	9 - .25	<a href="#">FX19953</a>	<a href="#">O-ring 5,5x2 NBR 70</a>
2 - .22	<a href="#">FX19629</a>	<a href="#">Barrel inlet .22</a>	9 - .30	<a href="#">FX2575</a>	<a href="#">O-ring 6,35 x 1,27 NBR 70</a>
2*-.22	<a href="#">FX20842</a>	<a href="#">Barrel Attachment W/Dual Inlet .22</a>	10 - .177	<a href="#">FX19968</a>	<a href="#">Liner Lock .177</a>
2 - .25	<a href="#">FX19670</a>	<a href="#">Barrel inlet .25</a>	10 - .22	<a href="#">FX19969</a>	<a href="#">Liner Lock .22</a>
2*-.25	<a href="#">FX20843</a>	<a href="#">Barrel Attachment W/Dual Inlet .25</a>	10 - .25	<a href="#">FX19970</a>	<a href="#">Liner Lock .25</a>
2 - .30	<a href="#">FX19671</a>	<a href="#">Barrel inlet .30</a>	10 - .30	<a href="#">FX19971</a>	<a href="#">Liner Lock .30</a>
2*-.30	<a href="#">FX20844</a>	<a href="#">Barrel Attachment W/Dual Inlet .30</a>	11 - .177	<a href="#">FX19837</a>	<a href="#">O-ring 7x1 NBR 70</a>
3	<a href="#">FX19703</a>	<a href="#">O-ring 10x2 NBR 70</a>	11 - .22	<a href="#">FX19117</a>	<a href="#">O-ring 8x1 NBR 70</a>
4	<a href="#">FX19703</a>	<a href="#">O-ring 10x2 NBR 70 (.177, .22, .25)</a>	12	<a href="#">FX12045</a>	<a href="#">O-ring 13,95x2,62</a>
4	<a href="#">FX19210</a>	<a href="#">O-ring 11x1,5 NBR 70 (.30)</a>	13	<a href="#">FX19737</a>	<a href="#">Shroud Bushing Impact</a>
5	<a href="#">FX19960</a>	<a href="#">Barrel Attachment .177</a>	13.1	<a href="#">FX19588</a>	<a href="#">Shroud start Wildcat (compact)</a>
5	<a href="#">FX19961</a>	<a href="#">Barrel Attachment .22</a>	13.2	<a href="#">FX19925</a>	<a href="#">Shroud cone (sniper)</a>
5	<a href="#">FX19962</a>	<a href="#">Barrel Attachment .25</a>	14	<a href="#">FX19131</a>	<a href="#">Shroud 28x157mm (compact)</a>
5	<a href="#">FX19963</a>	<a href="#">Barrel Attachment .30</a>	14	<a href="#">FX19692</a>	<a href="#">270mm Shroud for Impact, (standard)</a>
6 - .177	<a href="#">FX19837</a>	<a href="#">O-ring 7x1 NBR 70</a>	14	<a href="#">FX19328</a>	<a href="#">Shroud 362,5mm .25-.30, (sniper)</a>
6 - .22	<a href="#">FX19117</a>	<a href="#">O-ring 8x1 NBR 70</a>	15	<a href="#">FX10331</a>	<a href="#">Compensator fixed, 2020 M3</a>
6 - .25	<a href="#">FX19954</a>	<a href="#">O-ring 9x1 NBR 70</a>	16	<a href="#">FX10332-22</a>	<a href="#">Muzzle thread insert .177, .22</a>
6 - .30	<a href="#">FX19145</a>	<a href="#">O-ring 10x1 NBR 70</a>	16	<a href="#">FX10332-25</a>	<a href="#">Muzzle thread insert .25</a>
7	<a href="#">FX19973</a>	<a href="#">Barrel housing 14x1x435mm</a>	16	<a href="#">FX10332-30</a>	<a href="#">Muzzle thread insert .30</a>
7	<a href="#">FX19972</a>	<a href="#">Barrel housing 14x1 550mm</a>	17	<a href="#">FX20176</a>	<a href="#">Muzzle-Thread Cover</a>
7	<a href="#">FX19974</a>	<a href="#">Barrel housing 14x1 650mm</a>	18*	<a href="#">FX19663</a>	<a href="#">Shroud endcap .25 35mm (optional)</a>
8	<a href="#">FX19964</a>	<a href="#">STX Liner .177 500mm</a>	18*	<a href="#">FX19664</a>	<a href="#">Shroud endcap .30 35mm (optional)</a>
8	<a href="#">FX19965</a>	<a href="#">STX Liner .22 500mm Superior</a>	19*	<a href="#">FX19680</a>	<a href="#">Shroud Mid Part 35mm (optional)</a>
8	<a href="#">FX20011</a>	<a href="#">STX Liner .22 600mm Superior</a>	20*	<a href="#">FX19997</a>	<a href="#">Shroud Start 35mm UNF 1/2" (optional)</a>
8	<a href="#">FX20204</a>	<a href="#">STX Liner .22 700mm Superior</a>	21	<a href="#">FX19641</a>	<a href="#">Pellet probe Impact .177</a>
8	<a href="#">FX19976</a>	<a href="#">STX Liner .25 500mm Superior</a>	21	<a href="#">FX19620</a>	<a href="#">Pellet probe Impact .22</a>
8	<a href="#">FX19966</a>	<a href="#">STX Liner .25 600mm Superior</a>	21	<a href="#">FX19621</a>	<a href="#">Pellet probe Impact .25</a>
8	<a href="#">FX19977</a>	<a href="#">STX liner .25 700mm Superior</a>	21	<a href="#">FX19619</a>	<a href="#">Pellet probe Impact .30</a>

Barrel Attachment W/Dual Inlet.  
 2\* - .177 [FX20841](#)  
 2\* - .22 [FX20842](#)  
 2\* - .25 [FX20843](#)  
 2\* - .30 [FX20844](#)

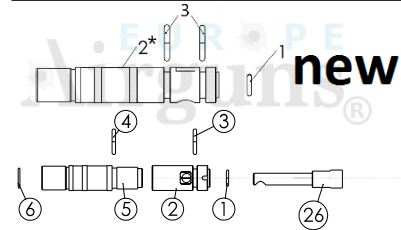
This spare part replaces both Barrel inlet (2) and barrel attachment (4).  
 It comes with all O-rings installed.  
 It has 2 transfer ports, pellets, and slugs.



<b>Model</b>	<b>Website</b>	<b>Date</b>	<b>Revision</b>	<b>Revision date</b>
FX OLD Impact Barrel	<a href="https://europeairguns.com/en">https://europeairguns.com/en</a>	2023-12-16	EN.23.12	2023-12-16



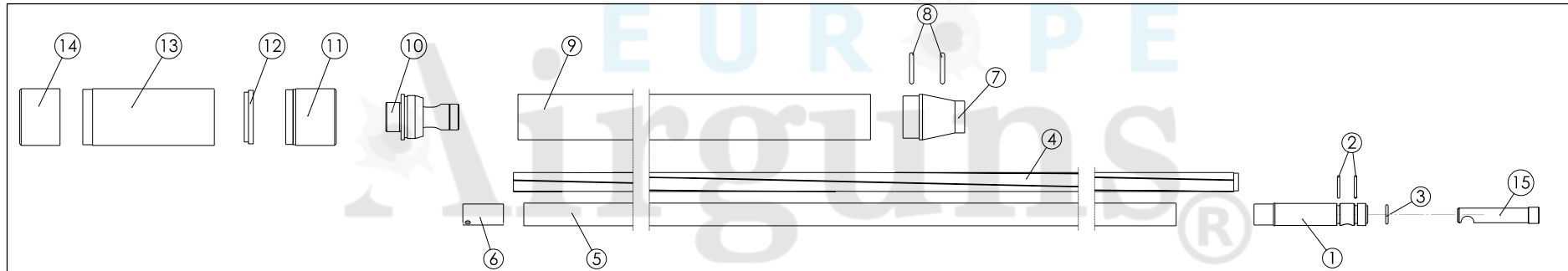
**Barrel Attachment W/Dual Inlet.**  
 2\* - .177 [FX20841](#)  
 2\* - .22 [FX20842](#)  
 2\* - .25 [FX20843](#)  
 2\* - .30 [FX20844](#)  
 This spare part replaces both Barrel inlet (2) and barrel attachment (4).  
 It comes with all O-rings installed.  
 It has 2 transfer ports, pellets, and slugs.



NO	ART. NO	DESCRIPTION	NO	ART. NO	DESCRIPTION	NO	ART. NO	DESCRIPTION
1 - .177	<a href="#">FX2529</a>	O-ring 4,3 x 1,5 NBR 70	7	<a href="#">FX19972</a>	Barrel housing 14x1 550mm	14 - .22	<a href="#">FX19661</a>	Telescopicshroud .22 Impact
1 - .22	<a href="#">FX19726</a>	O-ring 5,5 x 1,5 NBR 70	7	<a href="#">FX19974</a>	Barrel housing 14x1 650mm	14 - .25, .30	<a href="#">FX19660</a>	Telescopicshroud .25/.30 Impact
1 - .25	<a href="#">FX2575</a>	O-ring 6,35 x 1,27 NBR 70	8	<a href="#">FX19964</a>	STX Liner .177 500mm	15	<a href="#">FX19675</a>	Delrin ring stop
1 - .30	<a href="#">FX19209</a>	O-ring 7,5x1,5 NBR 70	8	<a href="#">FX19965</a>	STX Liner .22 500mm Superior	16	<a href="#">FX19732</a>	O-ring 25x1 NBR 70
2 - .177	<a href="#">FX19628</a>	Barrel inlet .177	8	<a href="#">FX20011</a>	STX Liner .22 600mm Superior	17 - .177	<a href="#">FX19657</a>	Compensator teleshroud
2* - .177	<a href="#">FX20841</a>	Barrel Attachment W/Dual Inlet .177	8	<a href="#">FX20204</a>	STX Liner .22 700mm Superior	17 - .22	<a href="#">FX19657</a>	Compensator teleshroud
2 - .22	<a href="#">FX19629</a>	Barrel inlet .22	8	<a href="#">FX19976</a>	STX Liner .25 500mm Superior	17 - .25	<a href="#">FX19625</a>	Compensator teleshroud
2* - .22	<a href="#">FX20842</a>	Barrel Attachment W/Dual Inlet .22	8	<a href="#">FX19966</a>	STX Liner .25 600mm Superior	17 - .30	<a href="#">FX19626</a>	Compensator teleshroud
2 - .25	<a href="#">FX19670</a>	Barrel inlet .25	8	<a href="#">FX19977</a>	STX liner .25 700mm Superior	18	<a href="#">FX5113</a>	O-ring 20,24x2,62
2* - .25	<a href="#">FX20843</a>	Barrel Attachment W/Dual Inlet .25	8	<a href="#">FX20369</a>	STX Liner .30 500mm Superior	19	<a href="#">FX19658</a>	Shroudstop 28mm
2 - .30	<a href="#">FX19671</a>	Barrel inlet .30	8	<a href="#">FX19967</a>	STX Liner .30 600mm Superior	20	<a href="#">FX19692</a>	270mm Shroud for Impact
2* - .30	<a href="#">FX20844</a>	Barrel Attachment W/Dual Inlet .30	8	<a href="#">FX19978</a>	STX Liner .30 700mm Superior	21 - .177, .22	<a href="#">FX19747</a>	Muzzle stabilizer
3	<a href="#">FX19703</a>	O-ring 10x2 NBR 70	9 - .177	<a href="#">FX19958</a>	O-ring 6,02x2,62 NBR 70	22 - .177, .22	<a href="#">FX5101</a>	O-ring 20 x 2,5 NBR 70
4	<a href="#">FX19703</a>	O-ring 10x2 NBR 70 (.177, .22, .25)	9 - .22	<a href="#">FX19952</a>	O-ring 5,23x2,62 NBR 70	23 - .177, .22	<a href="#">FX19746</a>	Muzzle extender
4	<a href="#">FX19210</a>	O-ring 11x1,5 NBR 70 (.30)	9 - .25	<a href="#">FX19953</a>	O-ring 5,5x2 NBR 70	24 - .177, .22	<a href="#">FX19733</a>	Impact muzzle .177-.22
5	<a href="#">FX19960</a>	Barrel Attachment .177	9 - .30	<a href="#">FX2575</a>	O-ring 6,35 x 1,27 NBR 70	25 - .25	<a href="#">FX19655</a>	Impactmuzzle 8,0
5	<a href="#">FX19961</a>	Barrel Attachment .22	10 - .177	<a href="#">FX19968</a>	Liner Lock .177	25 - .30	<a href="#">FX19656</a>	Impactmuzzle 9,0
5	<a href="#">FX19962</a>	Barrel Attachment .25	10 - .22	<a href="#">FX19969</a>	Liner Lock .22	26	<a href="#">FX19641</a>	Pellet probe Impact .177
5	<a href="#">FX19963</a>	Barrel Attachment .30	10 - .25	<a href="#">FX19970</a>	Liner Lock .25	26	<a href="#">FX19620</a>	Pellet probe Impact .22
6 - .177	<a href="#">FX19837</a>	O-ring 7x1 NBR 70	10 - .30	<a href="#">FX19971</a>	Liner Lock .30	26	<a href="#">FX19621</a>	Pellet probe Impact .25
6 - .22	<a href="#">FX19117</a>	O-ring 8x1 NBR 70	11 - .177	<a href="#">FX19837</a>	O-ring 7x1 NBR 70	26	<a href="#">FX19619</a>	Pellet probe Impact .30
6 - .25	<a href="#">FX19954</a>	O-ring 9x1 NBR 70	11 - .22	<a href="#">FX19117</a>	O-ring 8x1 NBR 70			
6 - .30	<a href="#">FX19145</a>	O-ring 10x1 NBR 70	12	<a href="#">FX12045</a>	O-ring 13,95x2,62			
7	<a href="#">FX19973</a>	Barrel housing 14x1x435mm	13	<a href="#">FX19640</a>	25mm end for telescopic shroud M23x1			



Model	Website	Date	Revision	Revision date
FX Impact Barrel .35	<a href="https://europeairguns.com/en">https://europeairguns.com/en</a>	2023-12-16	EN.23.12	2023-12-16



NO	ART. NO	DESCRIPTION
1	<a href="#">FX19797</a>	<a href="#">Barrel inlet 9mm</a>
2	<a href="#">FX19210</a>	<a href="#">O-ring 11x1,5 NBR 70</a>
3	<a href="#">FX19722</a>	<a href="#">O-ring 9x1,5 NBR 70</a>
4	<a href="#">FXB20286</a>	<a href="#">STX Liner .35 800mm Superior</a>
5	<a href="#">FX20328</a>	<a href="#">Barrel housing 14x1 750mm .35</a>
6	<a href="#">FX20331</a>	<a href="#">Liner Lock .35</a>
7	<a href="#">FX19925</a>	<a href="#">Shroud cone</a>
8	<a href="#">FX12045</a>	<a href="#">O-ring 13.95x2.62 NBR 70</a>
9	<a href="#">FX19142</a>	<a href="#">Shroud 447mm Extreme</a>
10	<a href="#">FX20329</a>	<a href="#">Compensator .35 Impact</a>
11	<a href="#">FX20366*</a>	<a href="#">Shroud Start .35 Impact (optional)</a>
12	<a href="#">FX20368*</a>	<a href="#">Baffle washer Muzzle .35 Impact (optional)</a>
13	<a href="#">FX19680*</a>	<a href="#">Shroud mid part 35mm (optional)</a>
14	<a href="#">FX20367*</a>	<a href="#">Muzzle .35 Impact (optional)</a>
15	<a href="#">FX19798</a>	<a href="#">Pellet probe Impact .35</a>



Tube Kit FX Impact 5.5 500mm €280.00 5.5 500MM	Tube Kit FX Impact 5.5 600mm €280.00 5.5 600MM	Tube Kit FX Impact 5.5 700mm €250.00 5.5 700MM	Tube Kit FX Impact 6.35 500mm €210.00 6.35 500MM
Tube Kit FX Impact 6.35 600mm €225.00 6.35 600MM	Tube Kit FX Impact 6.35 700mm €310.00 6.35 700MM	Tube Kit FX Impact 7.62 500mm €260.00 7.62 500MM	Tube Kit FX Impact 7.62 600mm €280.00 7.62 600MM

**ALL FX BARRELS, MAGAZINES AND ACCESORIES**

 <b>700mm</b> <i>Tensioned Barrel System</i>	<a href="#">REF: FXB20712</a>	<a href="#">Carbon Fiber Tensioner kit 700mm with front</a>
--	-------------------------------	---

 <b>800mm</b> <i>Tensioned Barrel System</i>	<a href="#">REF: PFXB20675A</a>	<a href="#">Carbon fiber Tensioner Kit 800mm with front support</a>
--	---------------------------------	---

	<a href="#">REF: BSLC</a>	<a href="#">CARBON FIBER BARREL SLEEVES</a>
--	---------------------------	---

	<a href="#">MAGAZINE SUPPORT IMPACT</a>
--	---

 EA	<a href="#">REF: BMM</a>	<a href="#">MULTI TRANSFER PORT</a>
--------	--------------------------	-------------------------------------

 EA	<a href="#">REF: ZEA02045</a>	<a href="#">COMPETITION TRANSFER PORT 4.5/.177</a>
--------	-------------------------------	--

 EA	<a href="#">REF: FX20602</a>	<a href="#">FEEDINGPIN IMPACT 4.5 / .177 COMPETITION</a>
--------	------------------------------	--

 FXairguns Spain	<a href="#">REF: BAN</a>	<a href="#">LINER SUPERIOR HEAVY</a>
---------------------	--------------------------	--------------------------------------

 EA	<a href="#">REF: CMC</a>	<a href="#">SINGLE LOAD MAGAZINE IMPACT</a>
--------	--------------------------	---