

Model	Website	Date	Revision	Revision date
FX Crown MK1, MK2	https://europeairguns.com/en	2023-12-26	EN.23.12	2023-12-26

Go to the list and click to go directly to the spare part at the webshop! Worldwide shipping!

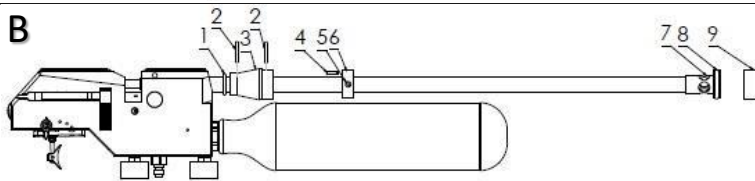
To find out more visit <https://europeairguns.com>

If there is a spare part that is missing, please contact us here: <https://europeairguns.com/en/contact-us>

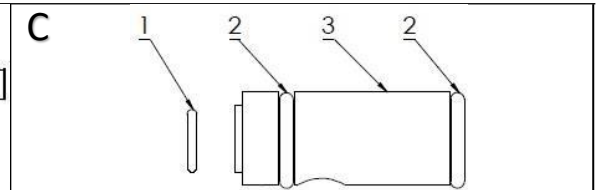
A



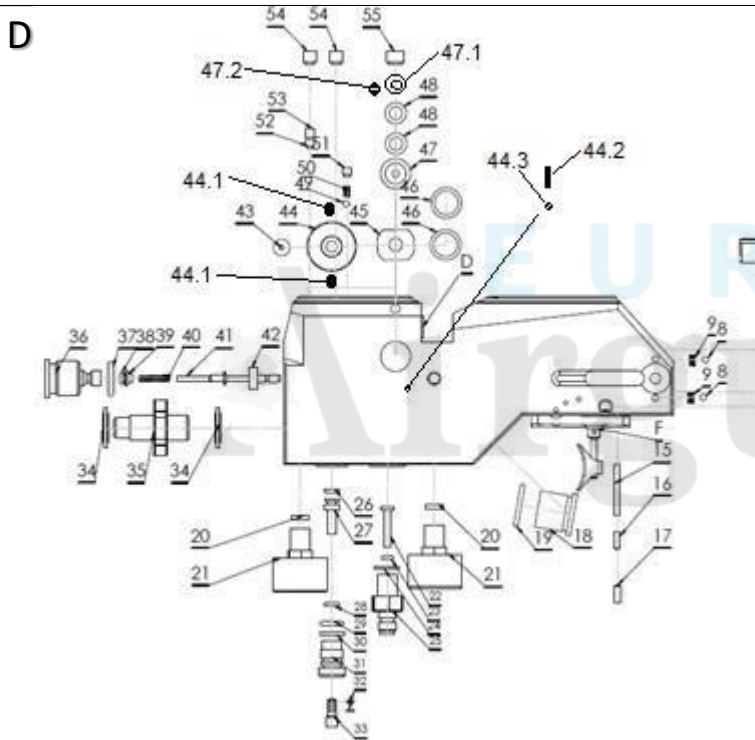
B



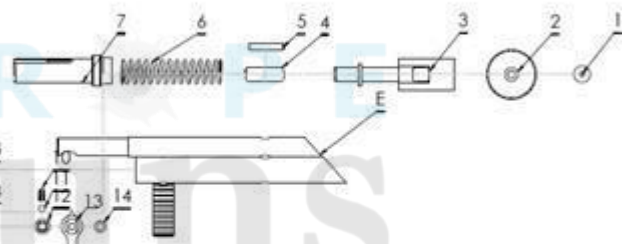
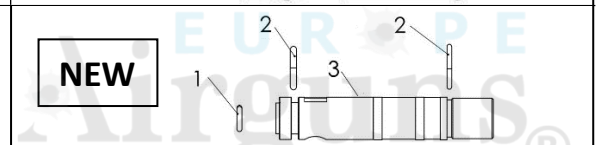
C



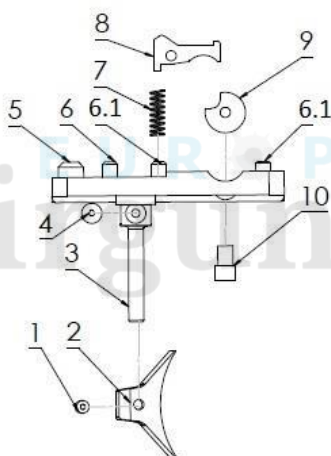
D



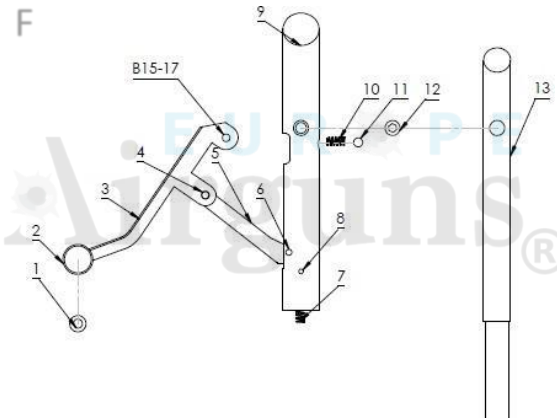
NEW



E



F



NO	ART. NO	DESCRIPTION	NO	ART. NO	DESCRIPTION
A1- Synthetic	FX19944	Crown Synthetic Stock	D29	FX19790	O-ring 10x1,5 NBR90, from ser.no. 181700
A1-Walnut	FX19940	Crown Walnut Stock	D30	FX4528	O-ring 7,66x1,78 NBR 70, until ser. no. 181700
A1-Gray	FX19943	Crown Laminate Gray Stock	D30	FX19225	O-ring 7,5x2 NBR70, from ser.no. 181700
A1-Green	FX19941	Crown Laminate Green Stock	D31	FX19697	Regulator housing Impact, until serial no. 181700
A1-Blue	FX19942	Crown Laminate Blue Stock	D31	FX19697-1	Regulator housing Impact/Crown, from ser.no. 181700
A1-GRS Nordic Wolf	FX20654	Crown GRS Nordic Wolf Stock	D32	FX19731	O-ring 2x1 NBR 90
A1-GRS Green	FX20653	Crown GRS Green Stock	D33	FX19695	Regulator Screw Impact
A1-GRS Green left	FX20653L	Crown GRS Green Left Stock	D34	FX11507	Rubber/Steel Washer
A2	FX19901	Main block Crown	D35	FX19659	Bottle connector Impact
A2	FX19901-P	Main block Crown Picatinny MK2	D36	FX19905	M16 Guide Crown
A3-4,5 & 5,5	FX19142	Shroud 447mm Extreme	D36	FX19948	Gide M16 low power, for 10J/12Ft
A3-6,35 & 7,62	FX19975	Shroud 562mm	D37	FX5109	O-ring 11,6x2,4 NBR 70
A4	FX5532	Tube/ Bottle Carbonfiber 480cc	D38	FX5111	O-ring 2,5x1,5 NBR 90
B1	FX12045	O-ring 13.95x2.62 NBR 70	D39	FX19038	Spring seat v7
B2	FX12045	O-ring 13.95x2.62 NBR 70	D40	FX2525	Spring 0,6x4x15
B3	FX19925	Shroud-cone Crown	D40	FX11627	Spring 0,6x4x20, for 10J/12Ft
B4	FX11509	Cylindrical pin 3h6x10	D41	FX19929	Valvepin Crown SHP Complete, Until Ser.No. 0112839
B5	FX11201	Cup point grub screw M5x4	D41	FX19929-1	Valvepin Crown Ø6,8 Complete, from ser.no. 0112839
B6	FX19926	Shroudstop Crown	D42	FX19217	Valveseat CPL, Until Ser.No. 0112839
B7	FX19911	Shroud compensator .22	D42	FX2024C	Valve Seat Mega Complete, from ser.no. 0112839
B7	FX19912	Shroud compensator .25	D43	FX16104	Countersunk screw M4x14
B7	FX19913	Shroud Compensator .30	D44	FX19915	Power adjuster house Crown
B8	FX19951	O-ring 18x3,5 NBR 70	D44	FX20123	Power adjuster Crown Picatinny
B9-4.5 & 5.5	FX19654	Impactmuzzle 7,0	D44.1	FX2562	Cup point grub screw M3x3, Crown Picatinny
B9- 6.35	FX19655	Impactmuzzle 8,0	D44.2	FX11501	Spring 0,5x2,5x6,1, Crown Picatinny
B9- 7.62	FX19656	Impactmuzzle 9,0	D44.3	FX4066	Steelball 3mm Crown Picatinny
C1- 4.5	FX2529	O-ring 4,3 x 1,5 NBR 70	D45	FX19923	Poweradjuster outer Crown
C1- 5.5	FX19726	O-ring 5,5 x 1,5 NBR 70	D46	FX19956	O-ring 11,1x1,6 NBR 90
C1- 6.35	FX2575	O-ring 6,35 x 1,27 NBR 70	D47	FX19922	Power adjuster inner Crown
C1- 7.62	FX19209	O-ring 7,5 x 1,5 NBR 70	D47	FX19937	Power adjuster inner Crown 10J
C2- .177, .22, .25	FX19703	O-ring 10x2 NBR 70	D47	FX19936	Power adjuster inner Crown 12Ft
C2- .30	FX19210	O-ring 11x1,5 NBR 70	D47	FX20124	Power adjuster inner, Crown Picatinny
C3	FX19628	Barrel inlet .177 Impact/Crown	D47	FX20145	Power adjuster inner 10J/12ft Dreamline/Crown Picatinny
C3	FX19629	Barrel inlet .22 Impact/Crown *No longer available	D47.1	FX5208	Screw Countersunk M4x6, Crown Picatinny
C3	FX19670	Barrel inlet .25 Impact/Crown	D47.2	FX2562	Cup point grub screw M3x3, Crown Picatinny
C3	FX19671	Barrel inlet .30 Impact/Crown	D48	FX19953	O-ring 5,5x2 NBR 70
C3 .177 new	FX20841	Barrel Attachment W/Dual Inlet .177	D49	FX4066	Steelball 3mm
C3 .22 new	FX20842	Barrel Attachment W/Dual Inlet .22	D50	FX11501	Spring 0,5x2,5x6,1
C3 .25 new	FX20843	Barrel Attachment W/Dual Inlet .25	D51	FX2637	Grub screw M4x6 flat
C3 .30 new	FX20844	Barrel Attachment W/Dual Inlet .30	D52	FX2637	Grub screw M4x6 flat
D1	FX2508	Countersunk screw M3x10	D53	FX2637	Grub screw M4x6 flat
D2	FX19908	Power adjuster Crown	D54	FX19846	Grub screw M6x6
D3	FX19902	Springholder Crown	D55	FX19955	Grub screw M8x6
D4	FX19909	Hammer Adjuster Crown	E1	FX12035	Grub screw M2,5x2,5
D5	FX19683	Grubscrew M3x18	E2	FX19136	Adjustable trigger blade
D6	FX11500	Hammerspring v2	E3	FX19137	Triggerpin
D6	FX16024	Hammerspring, for 10J /12Ft	E4	FX19178	Screw M2x4
D7	FX19039	Hammer v7	E5	FX11015	Second stage trigger screw M5
D8	FX11501	Spring 0,5x2,5x6,1	E6	FX2500	Grub screw M3x6
D9	FX4066	Steelball 3mm	E6.1	FX19742	Grub screw M3x8
D10	FX11501	Spring 0,5x2,5x6,1	E7	FX11544	Spring 0,32x3,2x14,4 (Cut 2,5v)
D11	FX4066	Steelball 3mm	E8	FX19934	Trigger sear Crown
D12	FX19907	Safety Crown	E9	FX11525	Trigger wheel
D13	FX19906	Safety lever Crown	E10	FX19927	Screw trigger roll Crown
D14	FX11546	Socket head cap screw M3x14	F1	FX19682	Socket head cap screw M3x16
D15	FX1501	Cylindrical pin 2,5m6x24	F2	FX19611	Side lever handle B2-WC-IM
D16	FX19026	Cylindrical pin 2,5m6x6	F3	FX20398	Sidelever Maverick, Wildcat MkIII, Crown, Streamline
D17	FX11508	Grub screw M3x10	F4	FX19026	Cylindrical pin 2,5m6x6
D18	FX19904	Plug M18x1 Crown	F5	FX19935	Linkage Crown
D19	FX19950	O-ring 14x2 NBR 70	F6	FX19601	Cylindrical pin 2h6x6
D20	FX19723-1	Plastic Washer "Thick" Impact Regulator Gauge	F7	FX19957	Fjäder 0,8x6,5ydx18,5x9nt NPA
D21	FX11505	Pressure gauge 25mm 1/8"	F8	FX11509	CPK 3h6x10
D22	FX19329	Inlet valve rod "gold"	F9	FX19921	Carrier
D23	FX5111	O-ring 2.5x1.5 NBR 90	F10	FX11503	Spring 0,5x2,5x4,4
D24	FX19720	O-ring 10x1 NBR 90	F11	FX4066	Steelball 3mm
D25	FX19939	Quick connector Crown	F12	FX19914	Pellet probe screw
D26	FX19109	O-ring 4x1,5 NBR 70	F13-4.5	FX19917	Pellet probe Crown .177
D27	FX19696 & 20858 FX21070	Regulator Piston Brass (long) (May 2017>) Regulator Piston Brass Dynamic	F13-5.5	FX19918	Pellet probe Crown .22
D28	FX19109	O-ring 4x1,5 NBR 70	F13-6.35	FX19919	Pellet probe Crown .25
D29	FX19763	O-ring 9x1,5 NBR 90, until serial no. 181700	F13-7.62	FX19920	Pellet probe Crown .30