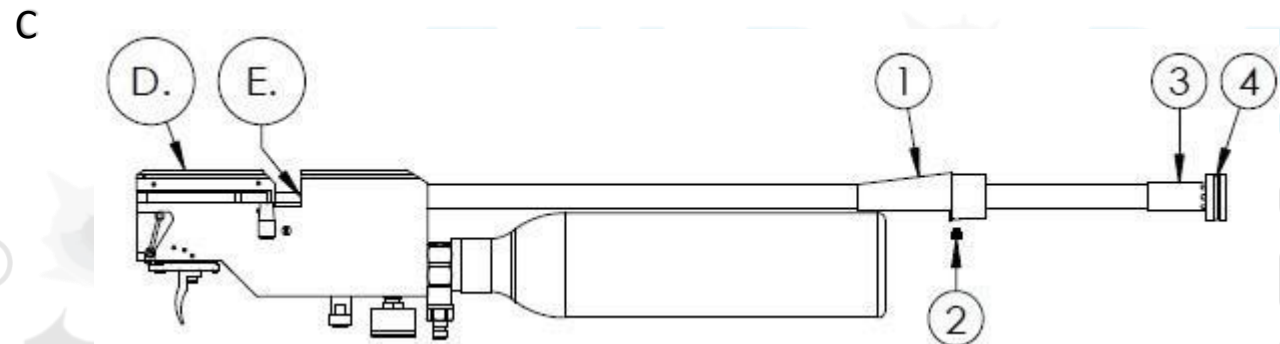
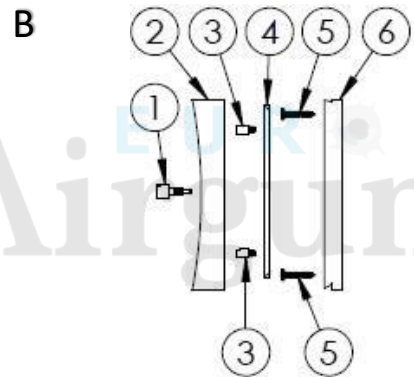
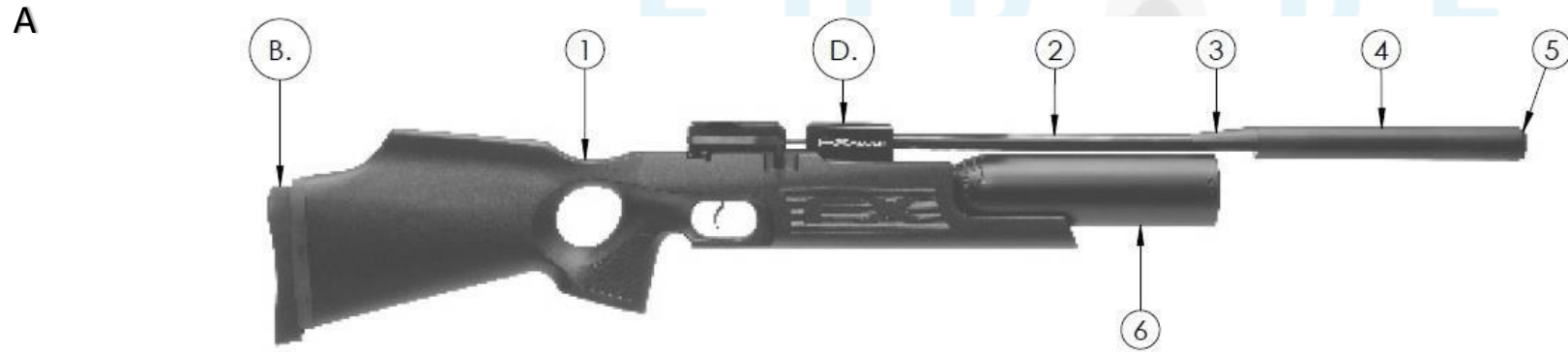
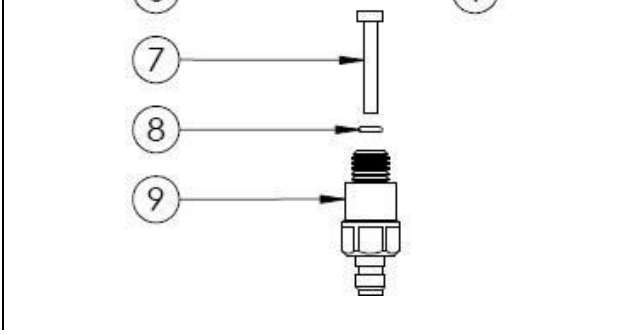
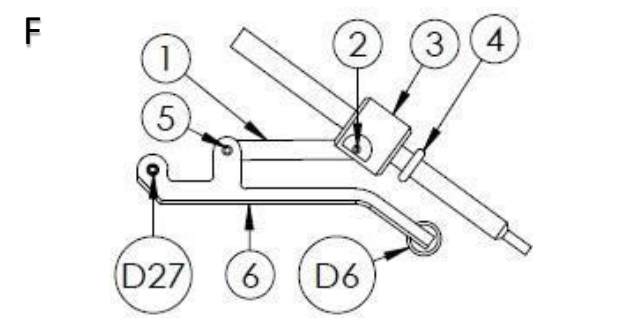
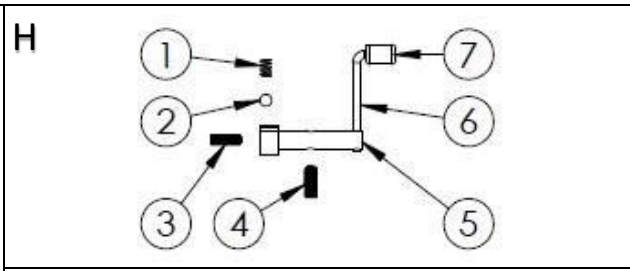
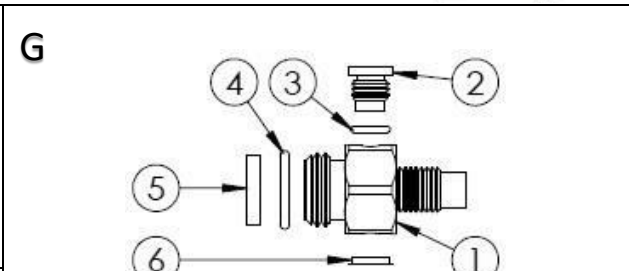
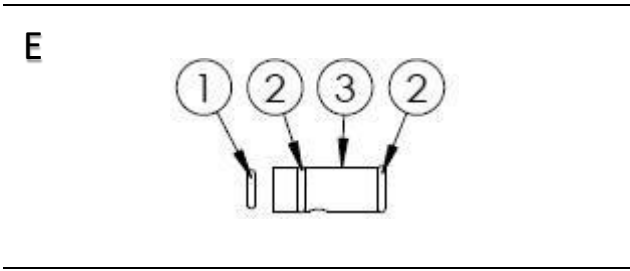
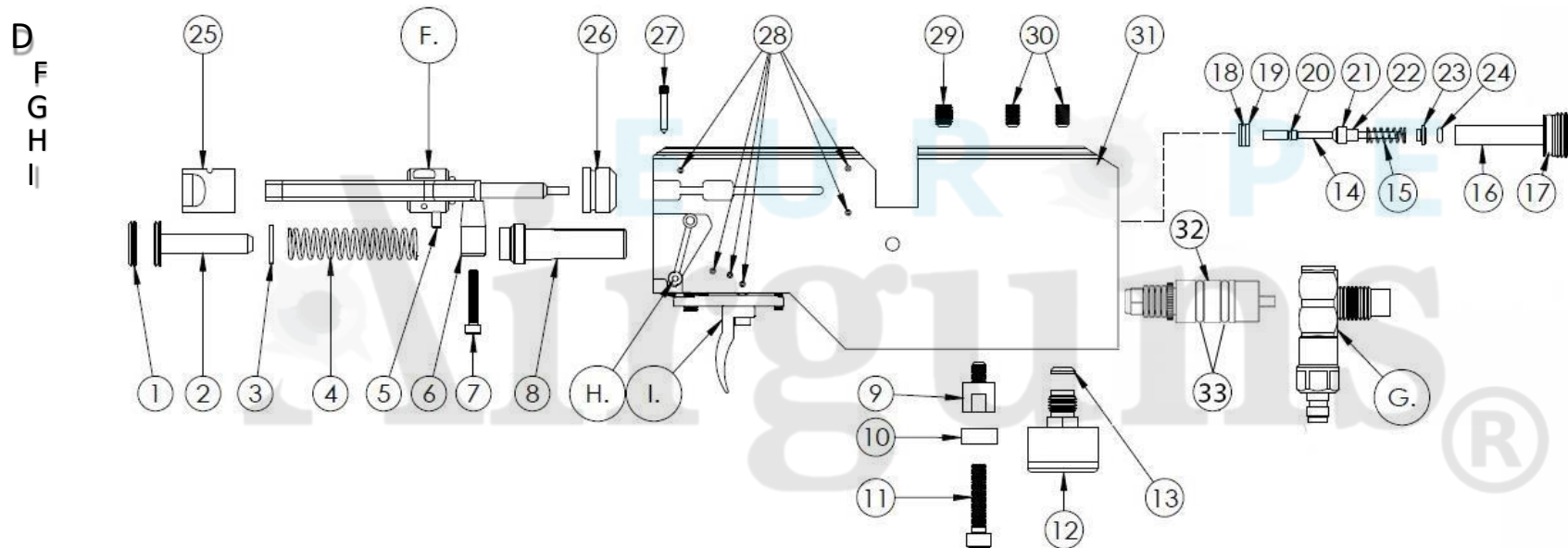


Model	Other model names	Date	Revision	Revision date
FX Royale 400 (R4) – 500 (R5)		2018-06-21	EN.21.02	2021-05-12



Model	Other model names	Date	Revision	Revision date
FX Royale 400 (R4) – 500 (R5)		2018-06-21	EN.21.02	2021-05-12



Description: X = Not shown in drawing / HP = High-power / LP = Low-power / ST = Smoothtwist / LW = Lothar Walther / W =Walnut / S = Synthetic

NO	ART. NO	DESCRIPTION	NO	ART. NO	DESCRIPTION	NO	ART. NO	DESCRIPTION
A1 – S	FX19018	Stock Royale Synthetic	D11 - W	FX14500	Socket head cap screw M5x16	E2	FX5112	O-ring 5,28x1,78 NBR70
A1 – W	FX19219	Stock Royale Walnut: Std	D11 - S	FX4509	Socket head cap screw M5x20	E3 - 4,5	FX2057	Barrel brass inlet .177
A2 - 4,5	FX12030	Barrel 4,5-14-485	D12	FX11505	Pressure gauge 25mm 1/8"	E3 - 5,5	FX2056	Barrel Inlet .22
A2 - 5,5	FX12006	Barrel 5,5-14-485	D13	FX5005	Plastic Washer 2mm 1/8"	E3 - 6,35 <16J	FX19104	Barrel inlet .25
A2 - 6,35	FX19106	Barrel 6,35-14-600	D14 – no regulator	FX7015	Valve pin V7 complete	E3 – 6,35 >16J	FX19118	Barrel inlet .25 HP
A3	FX19032	Shroud Cone	D14 – HP .22, reg.	FX7019	Valve pin SHP - Complete	F1	FX19021	Side lever linkage
A4 - R4	FX19023	Shroud 216mm	D14 – HP .25, reg.	FX7020	Valve pin long SHP - Complete	F2	FX19042	Cylindrical pin 2mx6x8
A4 - R5	FX19099	Shroud 345mm R5	D15	FX2525	Spring 0,6x4x15	F3 – 4,5	FX19011	Pellet probe 4,5
A5 - 4,5	FX17023	Muzzle .177	D16 LP	19009	Guide M16	F3 – 5,5	FX19010	Pellet probe 5,5 v7
A5 - 5,5	FX17000	Muzzle .22	D16 HP	19009HP	Guide M16	F3 – 6,35	FX19192	Pellet probe 6,35 v 7,8
A5 - 6,35	FX19112	Muzzle .25	D17	FX5105	O-ring 9,3x2,4 NBR90	F4	FX1504	O-ring 4,42x2,62 NBR70
A6 - R4	FX5531	Bottle 400 complete	D18 – no regulator	FX7044	Valve seat Complete	F5	FX19026	Cylindrical pin 2,5m6x6
A6 - R5	FX5536	Tube/ Bottle 500cc Complete	D18 – with regul.	FX19060	Valve seat SHP Complete	F6	FX19020	Sidelever
B1-6	FX16051	Adjustable recoil pad	D19	FX2529	O-ring 4,3x1,5 NBR70	G1	FX19008	Tube Receiver M20
C1	FX19032	Shroud Cone	D20	FX2528	O-ring 1,5x1 NBR70	G2	FX19035	Plug 1/8"
C2	FX19114	Grub screw M5x6 flat	D21	FX2040	Plastic Washer	G3	FX4528	O-ring 7,66x1,78NBR70
C3 - 4,5	FX19028	Shroud compensator 4,5-5,5	D22	FX2041	Holder Valve Seal	G4	FX19088	O-ring 15,88x2,62 NBR90
C3 - 5,5	FX19028	Shroud compensator 4,5-5,5	D23 HP	FX19038	Spring seat v7	G5	FX19036	Plastic Washer 18,9x15x3 Tube Receiver
C3 - 6,35	FX19065	Shroud compensator 6,35	D24 HP	FX5111	O-ring 2,5x1,5 NBR90	G6	FX19030	Plastic Washer 12x9,8x2,3 Early Royale
C4	FX19098	O-ring 18,0x4,0 NBR 70	D25	FX19029	Rear pellet probe guide	G7	FX19005	Inlet valve rod
D1 - Only UK	FX16043	Anti Tamper	D26 – 4,5	FX19013	Black plastic bushing	G8	FX5107	O-ring 2,9x1,78 PUR90
D2 - 4,5	FX11030	Hammerspring Adjuster	D26 - 5,5	FX19012	Black plastic bushing 5,5	G9	FX19062	Quick Connector male
D2 - 5,5	FX11030	Hammerspring Adjuster	D26 - 6,35	FX19101	Black plastic bushing 6,35	H1	FX11503	Spring 0,5x2,5x4,4
D2 - 6,35	FX11030 > 10Joule	Hammerspring Adjuster	D27	FX19034	Screw M3 "special"	H2	FX4066	Steelball 3mm
D2 - 6,35	FX11541 16Joule >	Hammerspring Adjuster	D28	FX19040	Cylindrical pin 2m6x23,5	H3	FX11633	Grub Screw M2,5x8
D3	16026	Washer 6,7x14	D29	FX19086	Conical grub screw M6x8	H4	FX11508	Grub Screw M3x10
D4	FX11500	Hammerspring	D30	FX2534	Conical grub screw M5x6	H5	FX11027	Safety Pivot
D5	FX11509	Cylindrical pin 3h6x10	D31 – 4,5	FX19003-1R	Main Block Royale .177	H6	FX11625	Safety lever 27,5mm Cyclone, Cutlas, Ranch.
D6	FX19037	Side lever Handle v7	D31 – 5,5	FX19003-2R	Main Block Royale .22	H7	FX11200	Safety knob
D7	FX11060	Socket head cap screw M3x18	D31 – 6,35	FX19003-3R	Main Block Royale .25	I1	FX11031	Trigger Sear
D8 - R4	FX19039	Hammer V7	D32	-	See "Regulator pressure chart" schematic	I2	FX11504	Spring 0,32x3,2x14,4
D8 - R5	FX11540	Hammerweight 6mm	D33	FX5109	O-ring 11,6 x 2,4 NBR 70 (already included in regulator mounted)	I3	FX11062	Adj screw second stage, soft
D9	FX19015	Stock Attachment M5	E1 – 4,5	FX2529	O-ring 4,3x1,5 NBR70	I4	FX11524	Trigger base
D9 - X	FX5112	O-ring 5,28x1,78 NBR70	E1 – 5,5	FX5108	O-ring 5,28x1,78 PUR70	I5	FX2527	Socket head cap screw M3x10
D10	FX16044	Stock Spacer	E1 – 6,35	FX4526	O-ring 6,4x1,3 NBR 70	I6	FX2020	Trigger blade
						I7+I9	FX2500	Grub Screw M3x6
						I8	FX11525	Trigger Wheel