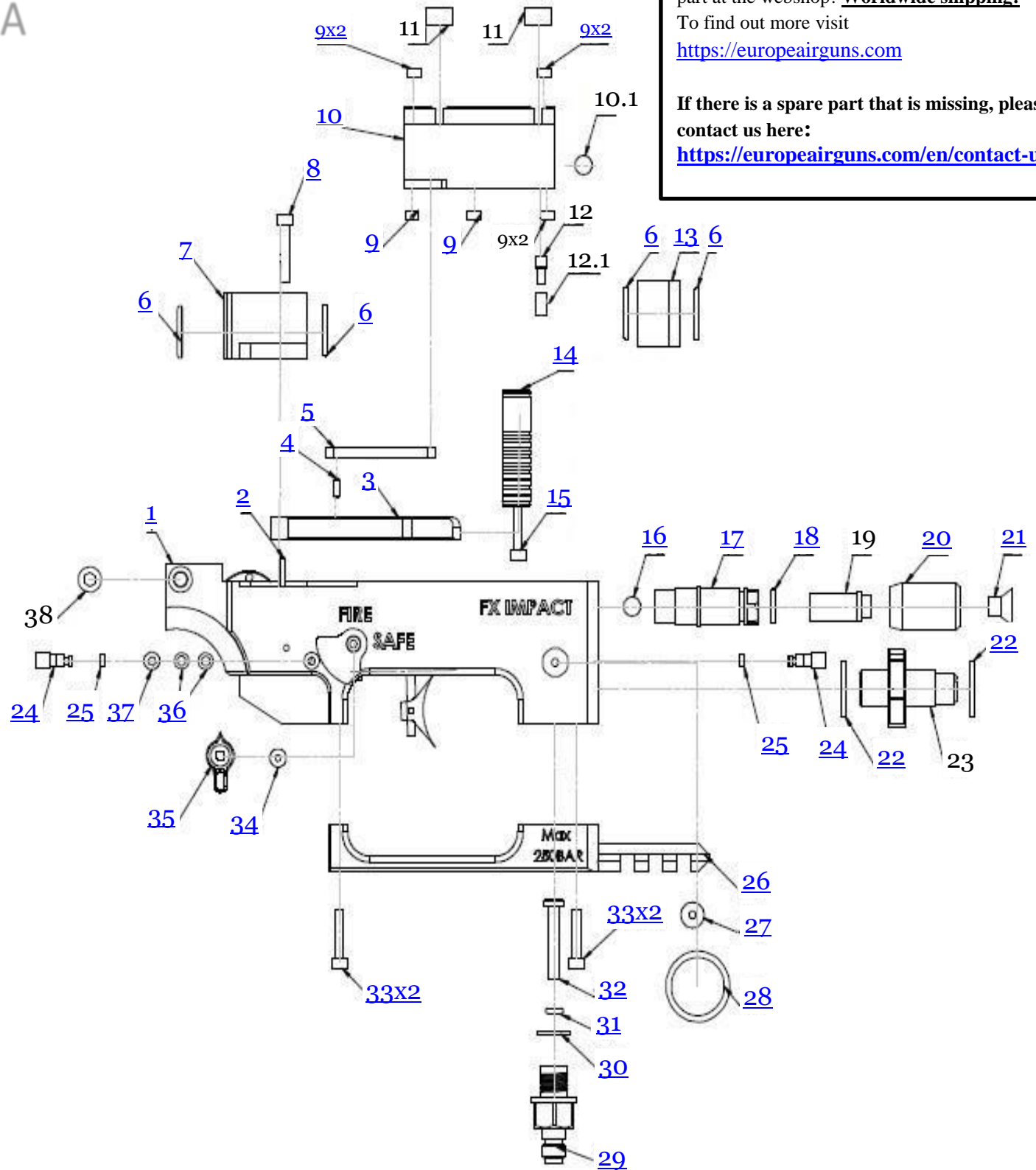


Model	website	Date	Revision	Revision date
FX Impact	<a href="https://europeairguns.com/">https://europeairguns.com/</a>	2018-06-19	EN.21.01	2021-04-26

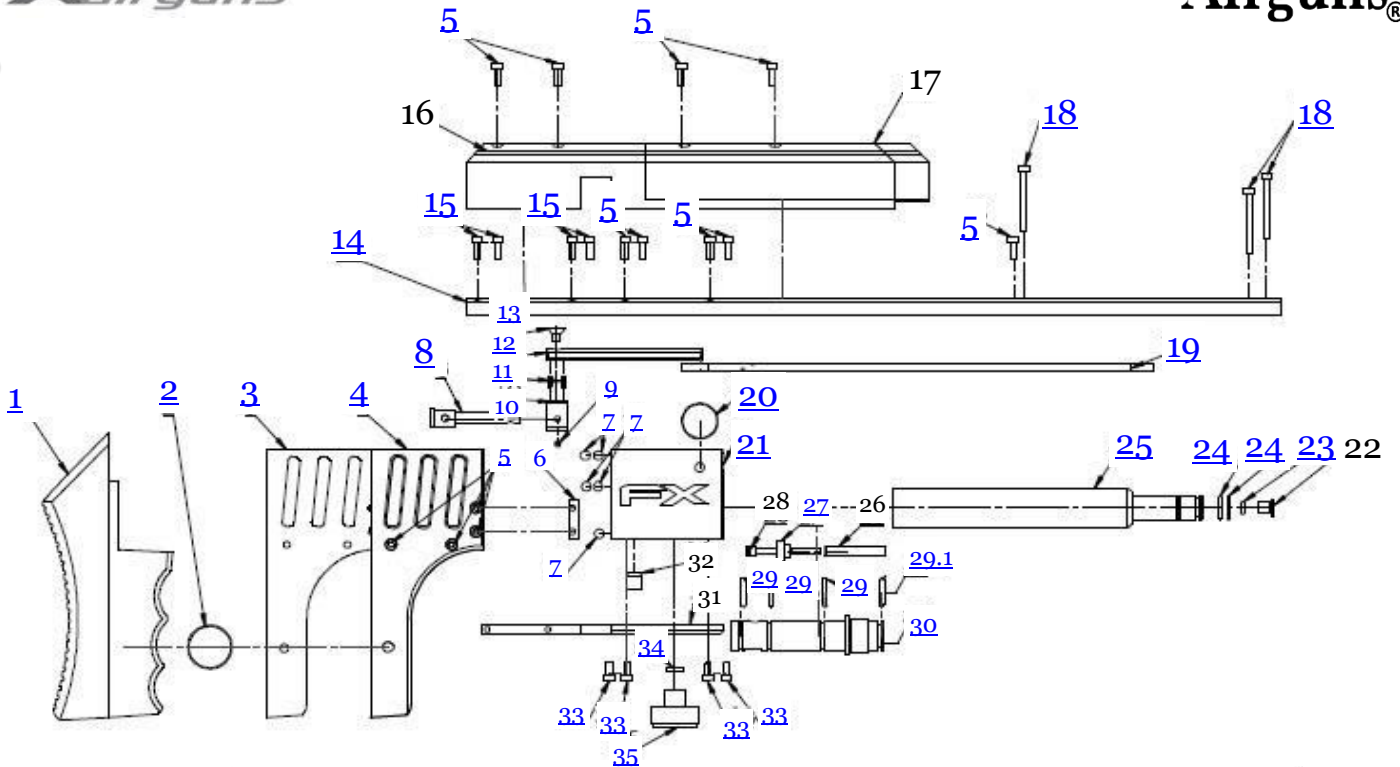
A



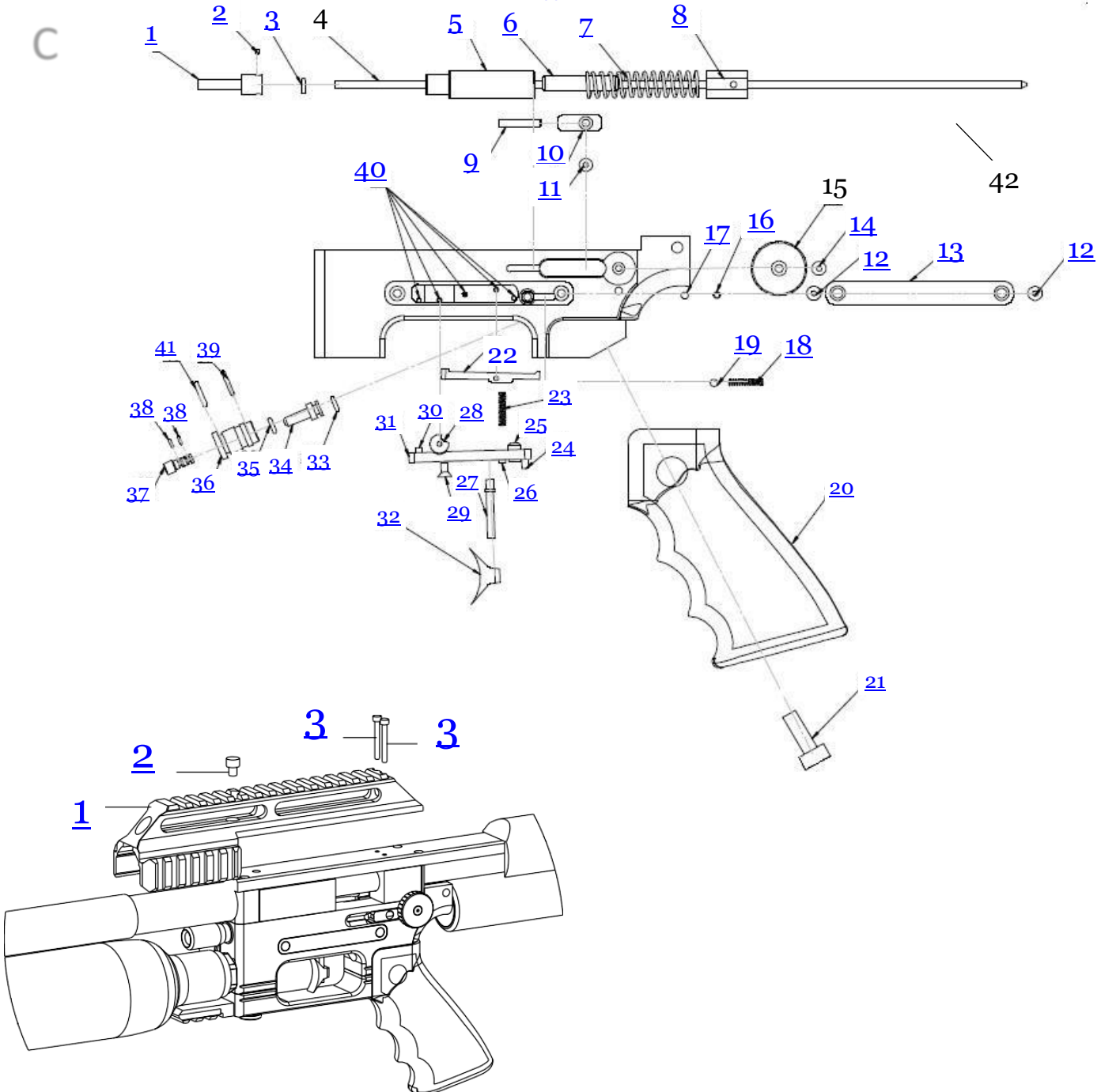
Go to the list and click to go directly to the spare part at the webshop! **Worldwide shipping!**  
To find out more visit <https://europeairguns.com>

If there is a spare part that is missing, please contact us here: <https://europeairguns.com/en/contact-us>

B



C



NO	ART. NO	DESCRIPTION	NO	ART. NO	DESCRIPTION
A1	<a href="#">FX19690-1</a>	<a href="#">Trigger block Impact MkI Black - trigger guardincluded</a>	B22	FX19674	O-ring valve tube stop
A1	FX19690-2	Trigger block Impact X - small regulator	B23	<a href="#">FX19768</a>	<a href="#">O-ring 2,84x2,62 PUR 90</a>
A1	<a href="#">FX19690</a>	<a href="#">Trigger block Impact X MkII Black</a>	B24	<a href="#">FX19722</a>	<a href="#">O-ring 9x1,5 NBR 70</a>
A2	<a href="#">FX1501</a>	<a href="#">Cylindrical pin 2,5m6x24</a>	B25	<a href="#">FX19615</a>	<a href="#">Valvetube 20mm Impact</a>
A3	<a href="#">FX19638</a>	<a href="#">Sidelever Imp. Crown. Str</a>	B26	FX19603	Valve nut Impact
A4	<a href="#">FX19026</a>	<a href="#">Cylindrical pin 2,5m6x6</a>	B27	<a href="#">FX19217</a>	<a href="#">Valve seat Cal.30 Complete</a>
A5	<a href="#">FX19021</a>	<a href="#">Side lever linkage</a>	B28	FX7064	Valvepin Impact complete
A6	<a href="#">FX19718</a>	<a href="#">O-ring 14x1,5 NBR 70</a>	B29	<a href="#">FX19677</a>	<a href="#">O-ring 10,5x2 NBR 70</a>
A7	<a href="#">FX19650</a>	<a href="#">Rear Support Impact</a>	B29.1	<a href="#">FX19718</a>	<a href="#">O-ring 14x1,5 NBR 70</a>
A8	<a href="#">FX19740</a>	<a href="#">Socket head cap screw M3x22</a>	B30	<a href="#">FX19605-1</a>	<a href="#">Valvehousing Impact</a>
A9	<a href="#">FX19652</a>	<a href="#">Delrin Puck 5</a>	B31	FX19630	Platamount Impact
A10	<a href="#">FX19691</a>	<a href="#">Reloading block</a>	B32	FX19224	Cup point grub screw M8x8
A10.1	FX2531	Rubberball 5,54 NBR 70	B33	<a href="#">FX19713</a>	<a href="#">Socket head cap screw M3x6</a>
A11	FX19653	Delrin Puck 9,9	B34	<a href="#">FX19723</a>	<a href="#">Plastic Washer "Thin" Impact Regulator Gauge</a>
A12	FX19672	Hammer pin	B35	<a href="#">FX19772</a>	<a href="#">Pressure Gauge 23mm Dreamline 300bar</a>
A12.1	N/A	N/A	C1	<a href="#">FX19604</a>	<a href="#">Hammer seat</a>
A13	<a href="#">FX19651</a>	<a href="#">Front Support Impact</a>	C2	<a href="#">FX19741</a>	<a href="#">Grub screw M2x2</a>
A14	<a href="#">FX19611</a>	<a href="#">Side lever handle B2-WC-IM</a>	C3	<a href="#">FX5107</a>	<a href="#">O-ring 2,9x1,78 PUR 90</a>
A15	<a href="#">FX11060</a>	<a href="#">Socket head cap screw M3x18</a>	C4	FX19647	Valve Rod
A16	<a href="#">FX11599</a>	<a href="#">Rubber ball 6,35 NBR90</a>	C5	<a href="#">FX19622</a>	<a href="#">Impact Hammer HP - Depth 20mm</a>
A17	<a href="#">FX19616</a>	<a href="#">Valvestop Impact</a>	C6	<a href="#">FX19623</a>	<a href="#">Spring guide Impact</a>
A18	<a href="#">FX19722</a>	<a href="#">O-ring 9x1,5 NBR 70</a>	C7	<a href="#">FX11500</a>	<a href="#">Hammer spring</a>
A19	FX19668	Valve adjuster screw	C8	<a href="#">FX19609</a>	<a href="#">Spring holder Impact</a>
A20	<a href="#">FX19669</a>	<a href="#">Valve adjusterknob Impact</a>	C9	<a href="#">FX19683</a>	<a href="#">Grub screw M3x18</a>
A21	<a href="#">FX19717</a>	<a href="#">Countersunk screw M6x8</a>	C10	<a href="#">FX19602-OG</a>	<a href="#">Hammer adjuster</a>
A22	<a href="#">FX11507</a>	<a href="#">Rubber/Steel Washer</a>	C11	<a href="#">FX19715</a>	<a href="#">Socket head cap screw M3x5</a>
A23	FX19659	Bottle connector Impact	C12	<a href="#">FX2504</a>	<a href="#">Countersunk screw M3x6</a>
A24	<a href="#">FX19694</a>	<a href="#">Brass adapter impact.</a>	C13	<a href="#">FX19693</a>	<a href="#">Impact sprintholder</a>
A25	<a href="#">FX19761</a>	<a href="#">O-ring 2,2x1 NBR 70</a>	C14	<a href="#">FX2508</a>	<a href="#">Countersunk screw M3x10</a>
A26	<a href="#">FX19689</a>	<a href="#">Triggerguard Black Impact</a>	C15	FX19608	Power adjuster Impact
A27	<a href="#">FX19762</a>	<a href="#">X-ring 3,63x2,62 NBR 70</a>	C16	<a href="#">FX11501</a>	<a href="#">Spring 0,5x2,5x6,1</a>
A28	<a href="#">FX19772</a>	<a href="#">Pressure Gauge 23mm Dreamline 300bar</a>	C17	<a href="#">FX4066</a>	<a href="#">Steel ball 3mm</a>
A29	<a href="#">FX16303</a>	<a href="#">Quick connector short</a>	C18	<a href="#">FX11501</a>	<a href="#">Spring 0,5x2,5x6,1</a>
A30	<a href="#">FX19720</a>	<a href="#">O-ring 10x1 NBR 90</a>	C19	<a href="#">FX4066</a>	<a href="#">Steel ball 3mm</a>
A31	<a href="#">FX5107</a>	<a href="#">O-ring 2,9x1,78 PUR 90</a>	C20	<a href="#">FX19710</a>	<a href="#">Houge Grip Rubber AR15</a>
A32	<a href="#">FX19005</a>	<a href="#">Inlet valve rod - Blue</a>	C21	<a href="#">FX19743</a>	<a href="#">Socket head cap screw M6x20</a>

A33	<a href="#">FX19682</a>	<a href="#">Socket head cap screw M3x16</a>	C22	<a href="#">FX19636</a>	<a href="#">Trigger sear</a>
A34	<a href="#">FX2504</a>	<a href="#">Countersunk screw M3x6</a>	C23	<a href="#">FX11504</a>	<a href="#">Spring 0,32x3,2x14,4 v2.3</a>
A35	<a href="#">FX19610</a>	<a href="#">Safety</a>	C24	<a href="#">FX19742</a>	<a href="#">Grub screw M3x8</a>
A36	<a href="#">FX19736</a>	<a href="#">Plastic Washer 5,3x3,1x1</a>	C25	<a href="#">FX11062</a>	<a href="#">M5 second stage std</a>
A37	<a href="#">FX19715</a>	<a href="#">Socket head cap screw M3x5</a>	C26	<a href="#">FX2500</a>	<a href="#">Grub screw M3x6</a>
A38	FX14500	Socket head cap screw M5x16	C27	<a href="#">FX19613</a>	<a href="#">Trigger mount Impact</a>
B1	<a href="#">FX19618-1</a>	<a href="#">Recoilpad Impact Solid</a>	C28	<a href="#">FX11525</a>	<a href="#">Trigger wheel</a>
B2	<a href="#">FX19728</a>	<a href="#">Adjustment Screw Recoilpad Impact</a>	C29	<a href="#">FX2504</a>	<a href="#">Countersunk M3x6</a>
B3	<a href="#">FX19646</a>	<a href="#">Left plate impact</a>	C30	<a href="#">FX2500</a>	<a href="#">Grub screw M3x6</a>
B4	<a href="#">FX19645</a>	<a href="#">Right plate impact</a>	C31	<a href="#">FX19637</a>	<a href="#">Trigger base Impact</a>
B5	<a href="#">FX12610</a>	<a href="#">Socket head cap screw M3x8</a>	C32	<a href="#">FX19136</a>	<a href="#">Adjustable trigger blade</a>
B6	<a href="#">FX19606</a>	<a href="#">Magazine holder Impact</a>	C33	<a href="#">FX19109</a>	<a href="#">O-ring 4x1,5 NBR 70</a>
B7	<a href="#">FX5110</a>	<a href="#">Rubberball 4,75 NBR 70</a>	C34	<a href="#">FX19696-1</a>	<a href="#">Regulator rod short, <i>until April 2017</i></a>
B8	<a href="#">FX19620</a>	<a href="#">Pellet probe Impact</a>	C34	<a href="#">FX19696</a>	<a href="#">Regulator rod replaced by FX21070, <i>from April 2017</i></a>
B9	<a href="#">FX19748</a>	<a href="#">Grub screw M3x7, <i>until ser.no. 191084</i></a>	C35	<a href="#">FX19109</a>	<a href="#">O-ring 4x1,5 NBR 70</a>
B9	<a href="#">FX19643</a>	<a href="#">Grub screw, Pellet probe, M4, <i>from serial no.191084</i></a>	C36	FX19697	Regulator housing, <i>until serial no. 183534 (small regulator housing)</i>
B10	FX19614	Pellet probe holder, <i>revision 4, until serial No. 191084, (use with 19748)</i>	C36	<a href="#">FX19697-1</a>	<a href="#">Regulator housing, <i>from ser.no. 183534</i></a>
B10	<a href="#">FX19614</a>	<a href="#">Pellet probe holder, revision 5, from serial no. 191084, (use with 19643)</a>	C37	<a href="#">FX19695</a>	<a href="#">Regulator screw</a>
B11	<a href="#">FX19601</a>	<a href="#">CPK 2h6x6</a>	C38	<a href="#">FX19731</a>	<a href="#">O-ring 2x1 NBR 90</a>
B12	<a href="#">FX19612</a>	<a href="#">Pellet probe guide</a>	C39	<a href="#">FX19763</a>	<a href="#">O-ring 9x1,5 NBR 90, <i>until serial no. 183534</i></a>
B13	<a href="#">FX2505</a>	<a href="#">Countersunk screw m4x10</a>	C39	<a href="#">FX19790</a>	<a href="#">O-ring 10x1,5 NBR90, <i>from ser.no. 183534</i></a>
B14	<a href="#">FX19642</a>	<a href="#">Guiding Plate Impact</a>	C40	<a href="#">FX19040</a>	<a href="#">CPK 2m6x24</a>
B15	<a href="#">FX2527</a>	<a href="#">MC6S M3x10</a>	C41	<a href="#">FX4528</a>	<a href="#">O-ring 7,66x1,78 NBR 70 <i>until ser. no. 183534</i></a>
B16	N/A	-	C41	<a href="#">FX19225</a>	<a href="#">O-ring 7,5x2 NBR70, <i>from ser.no. 183534</i></a>
B17	FX19779	Cheek piece for Impact (January 2019)	C42	FX19735	Spring 0,75x5x175
B18	<a href="#">FX11506</a>	<a href="#">Socket head cap screw M3x30</a>	D1	<a href="#">FX19644</a>	<a href="#">Rail Picatinny x3 Impact Black</a>
B19	<a href="#">FX19667</a>	<a href="#">Reloading Bar</a>	D1	FX19639	Picatinny Rail x3 Impact Silver
B20	<a href="#">FX19846</a>	<a href="#">Grub screw M6x6</a>	D2	<a href="#">FX19684</a>	<a href="#">Socket head cap screw M5x8</a>
B21	<a href="#">FX19698R</a>	<a href="#">Rear block Impact</a>	D3	<a href="#">FX2554</a>	<a href="#">Socket head cap screw M3x25</a>