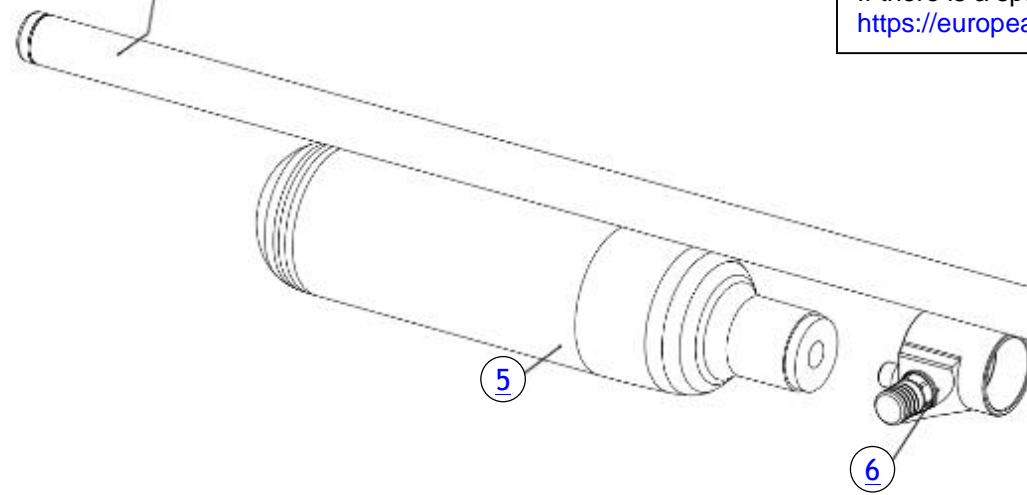
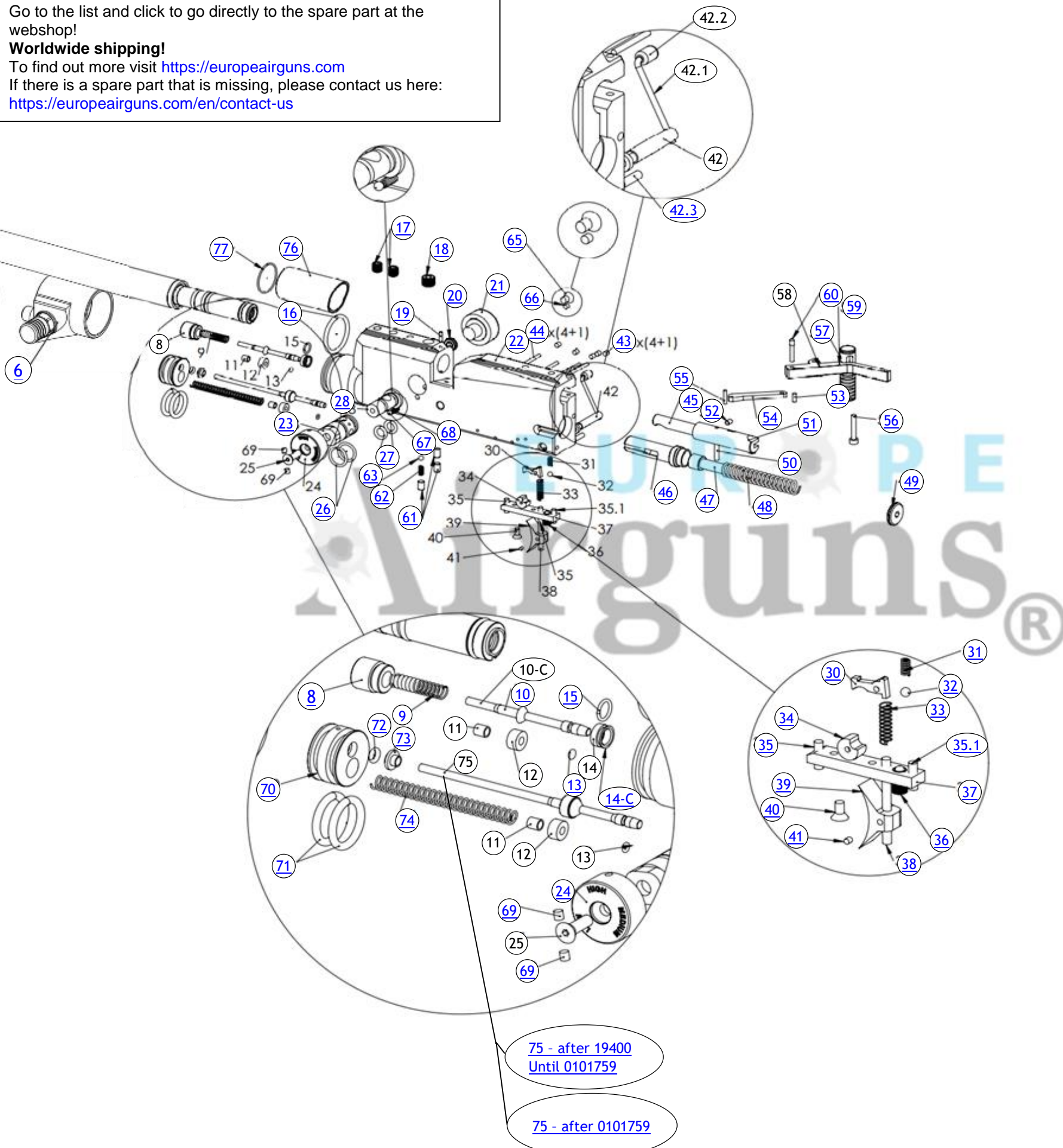


[SuperlightBarrel](#)
[Dreamline Kit](#)



Go to the list and click to go directly to the spare part at the webshop!
Worldwide shipping!
To find out more visit <https://europeairguns.com>
If there is a spare part that is missing, please contact us here:
<https://europeairguns.com/en/contact-us>



Position	Description	Art. No.
5	Carbonfiber Bottle 300cc	FX5535
5	Carbonfiber Bottle 480cc	FX5532
5	Carbonfiber Bottle 580cc	FX5534
5	Carbonfiber bottle 700cc	EA700
6	Air Bottle adapter cap. Complete	FX20148C
5	Carbonfiber Bottle 300cc	FX5535
5	Carbonfiber Bottle 480cc	FX5532
5	Carbonfiber Bottle 580cc	FX5534
5	Carbonfiber bottle 700cc	EA700
6	Air Bottle adapter cap. Complete	FX20148C
5	Carbonfiber Bottle 300cc	FX5535
8	Valve holder Dreamline, until ser.no. 194000	FX20037
9	Spring 0.5x4x20, until ser.no. 194000	FX19850
10C	Valve pin Dreamline Complete, until ser.no. 194000	FX20135
10	Valve Pin Dreamline, until ser.no. 194000 included in complete valve pin	FX20036
11	Holder Valve seal, included in complete valve pin	FX2041
12	Gasket SHP, included in complete valve pin	
12	Valve gasket 7.4x3x5x2.9 Impact, from ser. No. 0101759, included in complete valve pin 20153C-1	
13	O-ring 1.5 x 1.0 N BR 70, also included in complete valve pin	FX2528
14C	Valve seat SHP Complete, until serial no. 0101759	FX19060
14C	Valve seat Complete, after serial no. 0101759	FX2024C
14C	Valve seat Cal. .30 Complete 10J-12FT	FX19217
15	O-ring 6x1 N BR 90, also included in valve seal complete 19060	FX19061
15	O-ring 8x1 N BR 90, also included in valve seal complete 2024C	
16	O-ring 23x2.5 NBR70	FX19485
17	Grub screw M6x6	FX19846
18	Grub screw M8x6	FX19955
19	Cylindrical pin 2h6x6	FX19601
20	X-ring 3.63x2.62 NBR 70	FX19762
21	Pressure gauge 23mm	FX19772
22	Main block Dreamline, Until serial no. 190310 use art-no. 20020 R	FX20126R
23	Power adjuster, outer, Until serial no. 190310 use art no. 20034	FX20125
24	Power adjuster Crown, Until serial 190310 use art-no.19915	FX20123
25	Countersunk screw M4x14	FX16104
26	O-ring 11.1x1.6 NBR90	FX19956
27	O-ring 5.5 x 2 NBR 70	FX19953
28	Power adjuster inner, Crown, Until serial no. 190310 use art-no.19922	FX20124
29	N/A	
30	Triggersear v7, 8, 12	FX19177
31	Spring 0.5x2.5x6, 1	FX11501
32	Steel ball 3,175mm V1.2.3.4.5	FX11527
33	Spring 0.32x3.2x14.4	FX11504
34	Trigger Wheel	FX11525
35	Grub screw M3x8	FX19742
35.1	Grub screw M13x10	FX11508
36	Adjuster screw 2:st stage, soft	FX11062
37	Triggercatch Dreamline, standard	FX20033
8	Valve holder Dreamline, until ser.no. 194000	FX20037
9	Spring 0.5x4x20, until ser.no. 194000	FX19850
38	Trigger pin	FX19809
39	Adjustable Trigger blade	FX19136

Position	Description	Art. No.
40	Countersunk Screw M3x6	FX2504
41	Grub screw M2.5x2.5	FX12035
42	Safety pivot Bulloop	FX20056
42.1	Safety lever 32,5mm	FX19860
42.2	Safety knob	FX11200
42.3	Grub screw M3x8	FX19742
43	Cup point grub screw M3x3	FX2562
44	Cylindrical pin 2h6x20	FX11502
45	Pellet probe Dreamline .177	FX20060
45	Pellet probe Dreamline .22	FX20061
45	Pellet probe Dreamline .25	FX20062
45	Pellet probe Dreamline .30	FX20063
46	Hammer V7	FX19039
47	Hammer weight 4mm cal. .177, until ser. No. 194000	FX19215
47	Hammer weight addition cal. .177, until ser. No. 194000	FX18041
47	Hammer Weight cal. .22, .25, .30, until ser. No. 194000	FX17003
47	Hammer weight, cal. .177, .22, .25 after serial No. 194000	FX19215
47	Hammer weight cal. .30, after serial No. 194000	FX17003
47	Hammer weight Tugsten 8mm	FX17003
48	Hammer spring V2	FX11500
49	Hammer spring adjuster (only on Classic model)	FX11541
50	Cylindrical pin 3h6x20	FX11510
51	Carrier Dreamline	FX20058
52	Grub screw M3x4	FX16092
53	Cylindrical pin 2.5m6x6	FX19026
54	Linkage Crown	FX19935
55	Cylindrical pin 2h6x10	FX19213
56	Socket head cap screw MC65 M3X18	FX11060
57	Side lever handle handle B2-WC-IM	FX19611
58	Magnet 5x4mm	FX20055
59	Side lever Dreamline	FX20064
60	Screw M3 (special)	FX19034
61	Grub screw M4x6 flat, until ser. No. 190310	FX2637
62	Spring 0.5x2.5x6, 1, until ser. No. 190310	FX11501
63	Steel ball 3mm, until ser. No. 190310	FX4066
64	N/A	
65	Countersunk screw M4x6, after ser. no. 190310	FX5208
66	Grub screw M3x3, after ser. no. 190310	FX2562
67	Steel ball 3mm, after ser. No. 190310	FX4066
68	Spring 0.5x2.5x6, 1 after ser. No. 190310	FX11501
69	Grub screw M3x3, after ser. No. 190310	FX2562
70	Cover Valve Pin long, HP, after ser. no. 194000	FX20152
70	Cover Valve pin long, 10J, 12FT, after ser. no. 194000	FX20175
71	O-ring 13.95x2.62 NBR 70, after ser.no. 194000	FX12045
72	O-ring 2.5x1.5 NBR90, after ser.no. 194000	FX5111
73	Springseat, after ser. no. 194000	FX19038
74	Spring 0.6x4x60, after ser. no. 194000	FX20180
75	Valvepin Dreamline long complete, after ser.no. 194000 until ser.no. 0101759	FX20153C
75	Valvepin Dreamline long complete, after ser.no. 0101759	FX20153C-1
76	Barrel support Dreamline Complete (with o-rings)	FX20162C
77	O-ring 20x1 NBR 70	FX20159

75 - after 19400
Until 0101759

75 - after 0101759