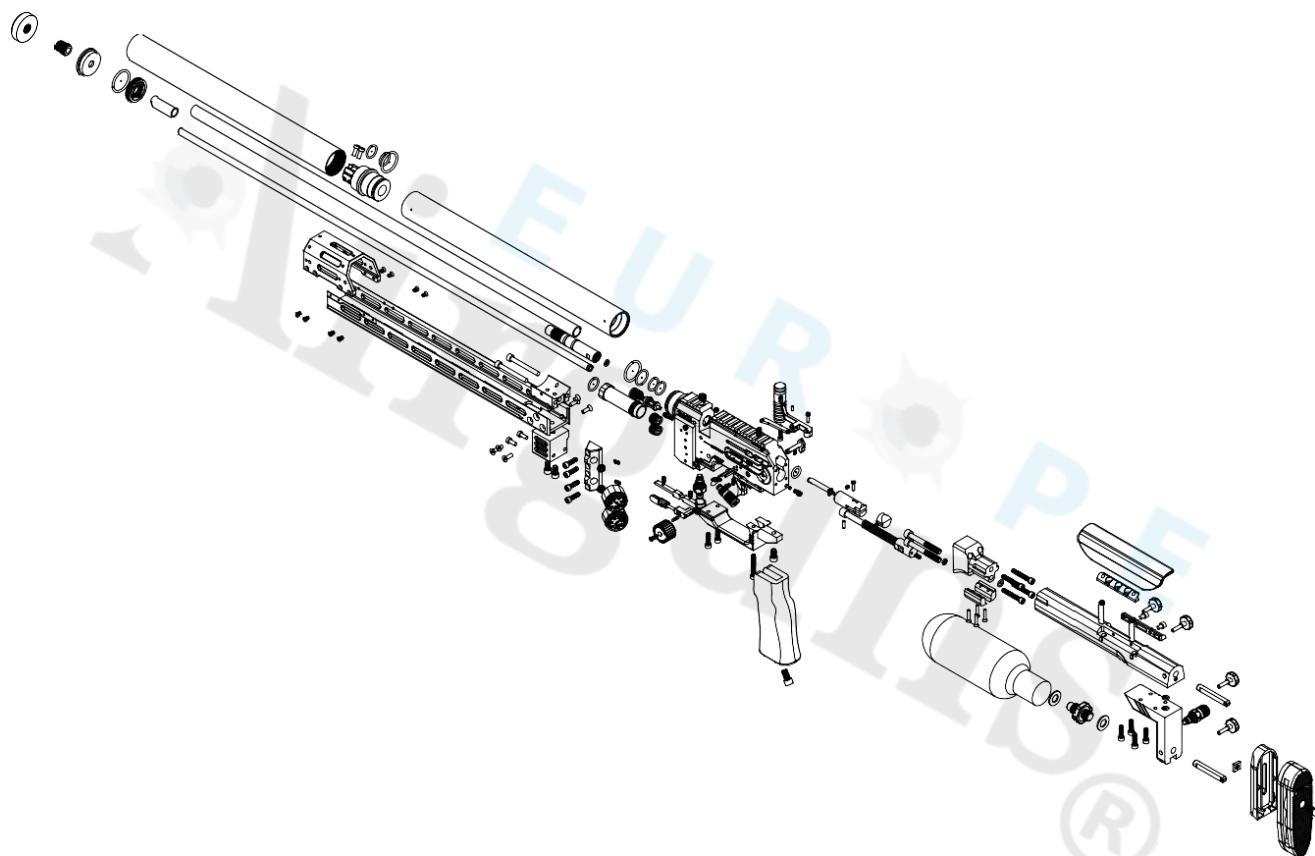
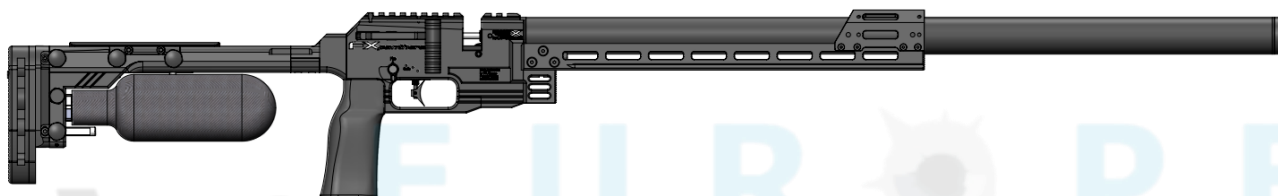


| Model       | Website   | Date       | Revision | Revision date |
|-------------|---|------------|----------|---------------|
| FX Panthera | <a href="https://europeairguns.com/en">https://europeairguns.com/en</a> | 2023-12-26 | EN.23.12 | 2023-12-26    |

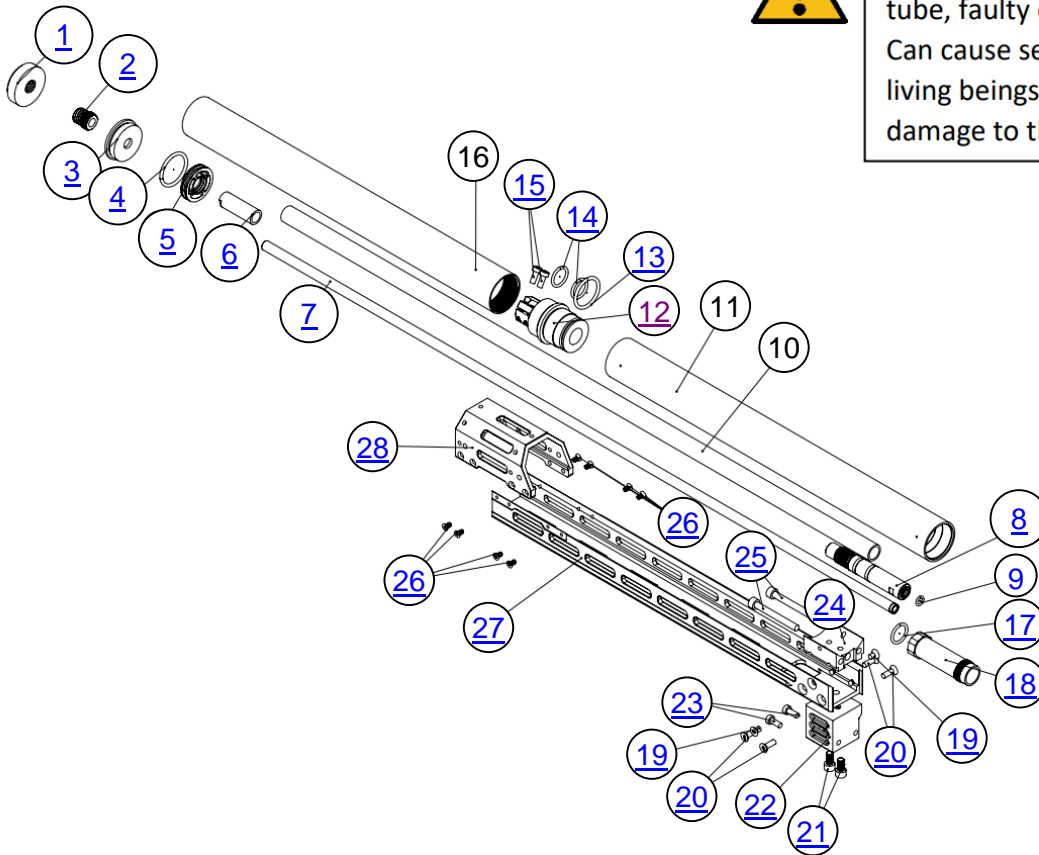
Go to the list and click to go directly to the spare part at the webshop! **Worldwide shipping!**

To find out more visit <https://europeairguns.com>

If there is a spare part that is missing, please contact us here: <https://europeairguns.com/en/contact-us>

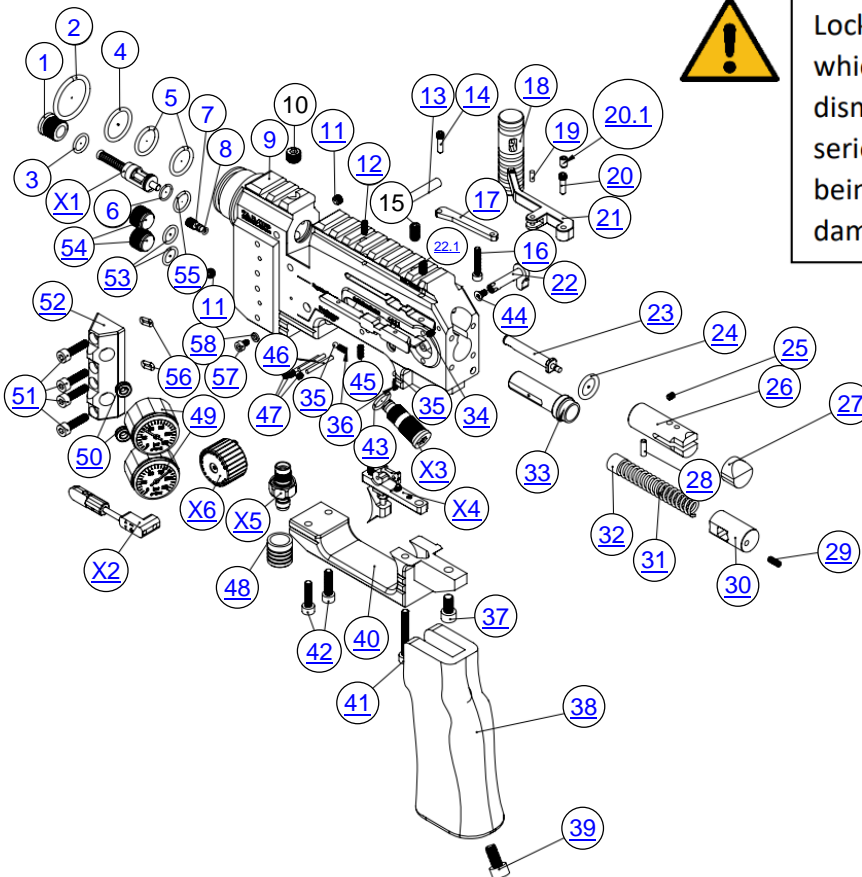


A



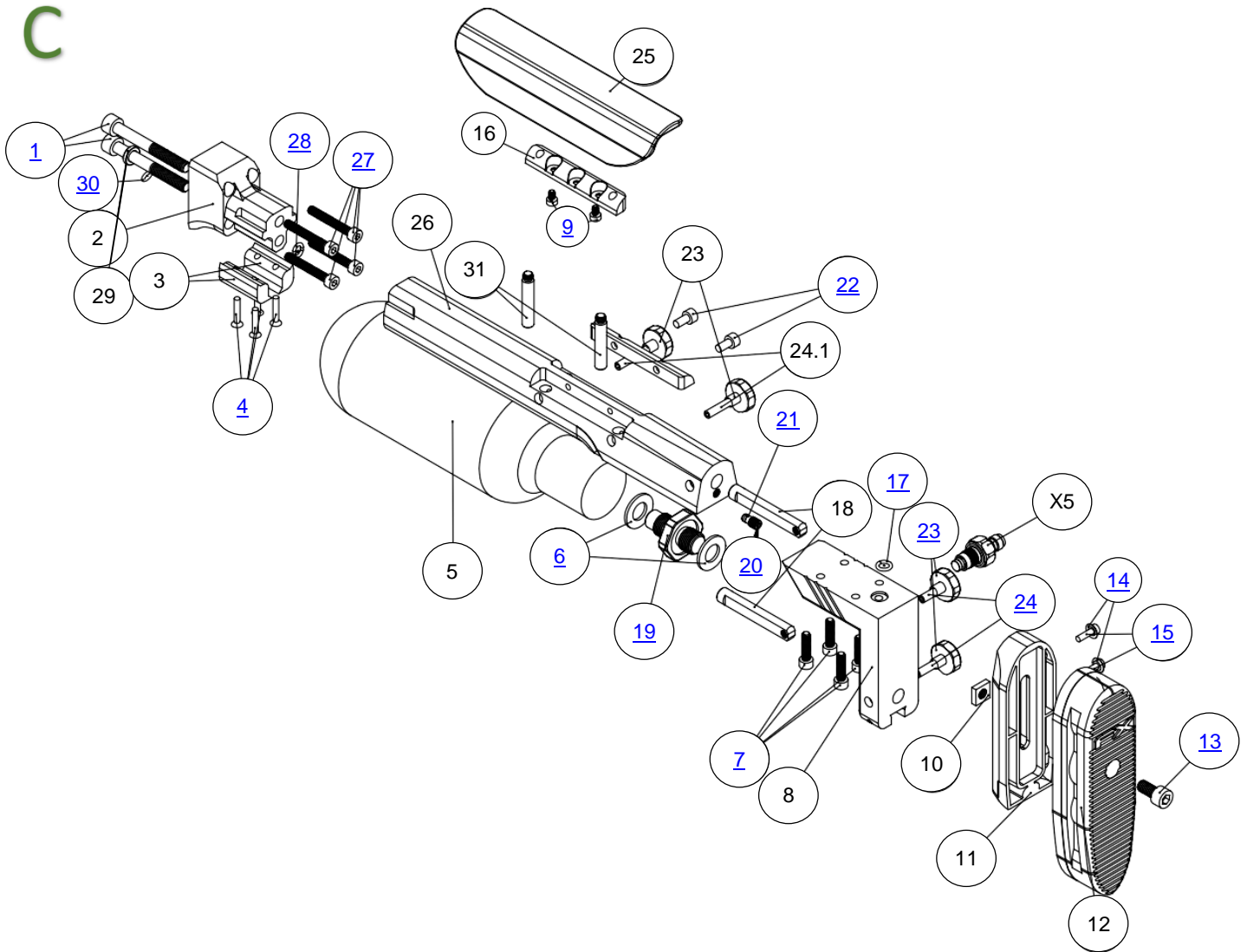
Barrel system A1-A18 runs thru a pressurized tube, faulty dismantling or faulty re-assembly Can cause serious injury to yourself and other living beings in the proximity. Can cause serious damage to the gun and property close by.

B



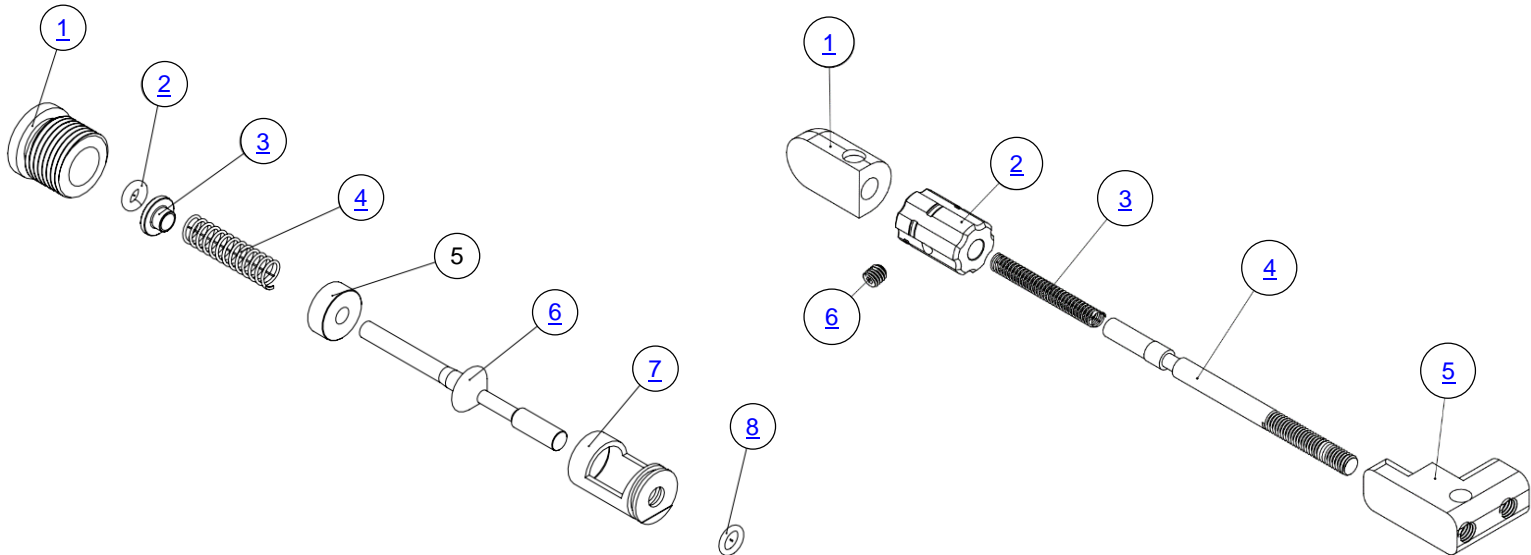
Locking screw A11 holds the barrel system which runs thru a pressurized tube, faulty dismantling or faulty re-assembly Can cause serious injury to yourself and other living beings in the proximity. Can cause serious damage to the gun and property close by.

C

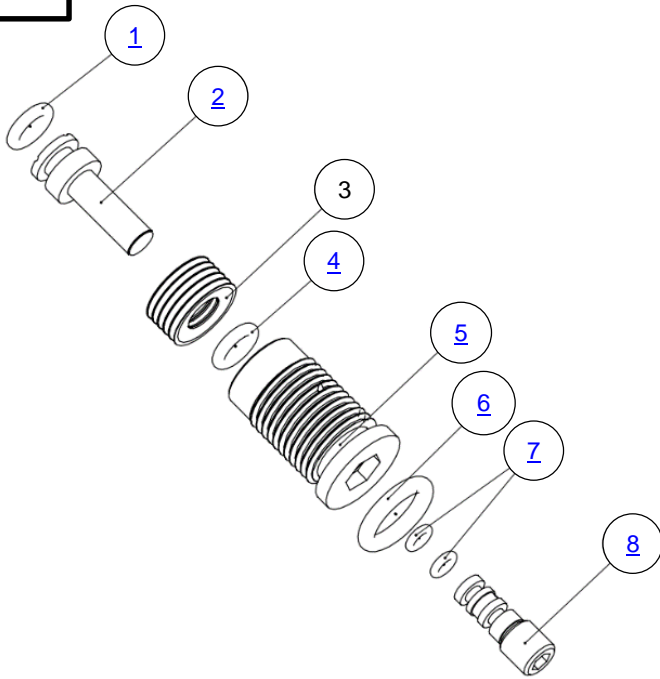


X1

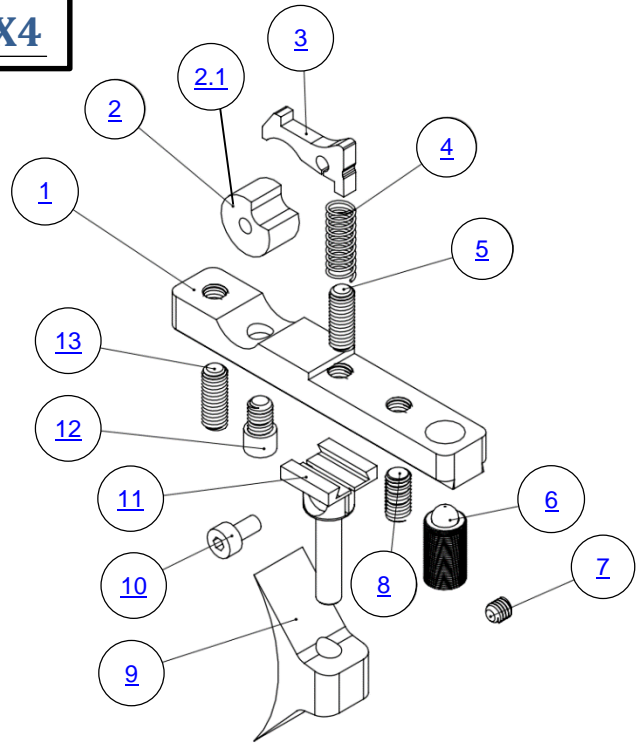
X2



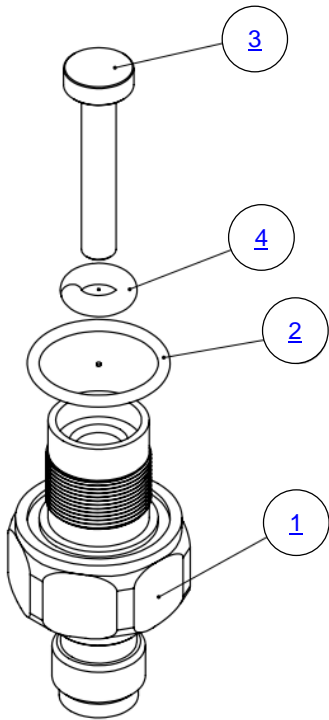
**X3**



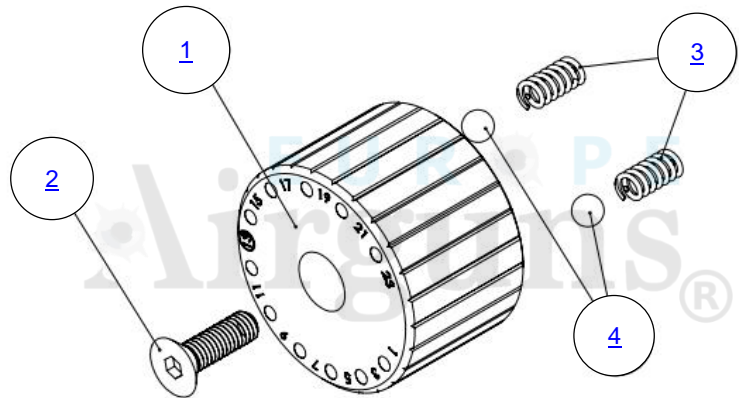
**X4**



**X5**



**X6**



| NO                        | ART. NO                      | DESCRIPTION  | NO       | ART. NO                 | DESCRIPTION                                   |
|---------------------------|------------------------------|--|----------|-------------------------|---|
| <b>A DIAGRAM</b>          |                              |  | B5       | <a href="#">FX19950</a> | <a href="#">O-ring 14x2 NBR70</a>             |
| A1                        | <a href="#">FX20945</a>      | <a href="#">Muzzle-Thread Cover</a>                            | B6       | <a href="#">FX19108</a> | <a href="#">O-ring 8x1 NBR90</a>              |
| A2 .177, .22              | <a href="#">FX10332-22</a>   | <a href="#">Muzzle thread insert .177, .22</a>                 | B7       | <a href="#">FX19694</a> | <a href="#">Brass adapter Impact</a>          |
| A2 .25                    | <a href="#">FX10332-25</a>   | <a href="#">Muzzle thread insert .25</a>                       | B8       | <a href="#">FX19761</a> | <a href="#">O-ring 2,2x1 NBR70</a>            |
| A2 .30                    | <a href="#">FX10332-30</a>   | <a href="#">Muzzle thread insert .30</a>                       | B9       | <a href="#">FX20999</a> | <a href="#">Main Block Dynamic</a>            |
| A3                        | <a href="#">FX20944</a>      | <a href="#">Shroud Muzzle Cap Dynamic</a>                      | B10      | <a href="#">FX11532</a> | <a href="#">Grub screw M8x10</a>              |
| A4                        | <a href="#">FX19105</a>      | <a href="#">O-ring 25x2,5 NBR70</a>                            | B11      | <a href="#">FX19114</a> | <a href="#">Grub screw M5x6</a>               |
| A5                        | <a href="#">FX20943</a>      | <a href="#">Shroud Bushing with airvents Dynamic</a>           | B12      | <a href="#">FX19742</a> | <a href="#">Grub screw M3x8</a>               |
| A6                        | <a href="#">LLCOK</a>        | <a href="#">Liner Locker</a>                                   | B13      | <a href="#">FX2526</a>  | <a href="#">Grub screw M5x25</a>              |
| A7                        | <a href="#">BAN</a>          | <a href="#">Liner Superior Heavy</a>                           | B14      | <a href="#">FX20946</a> | <a href="#">Carrier Screw Dynamic</a>         |
| A8 .177                   | <a href="#">FX20928</a>      | <a href="#">Barrel inlet .177 Dynamic</a>                      | B15      | <a href="#">FX10374</a> | <a href="#">Second stage trigger screw M5</a> |
| A8 .22                    | <a href="#">FX20929</a>      | <a href="#">Barrel inlet .22 Dynamic</a>                       | B16      | <a href="#">FX11060</a> | <a href="#">Socket head cap screw M3x22</a>   |
| A8 .25                    | <a href="#">FX20930</a>      | <a href="#">Barrel inlet .25 Dynamic</a>                       | B17      | <a href="#">FX20915</a> | <a href="#">Linkage Dynamic</a>               |
| A8 .30                    | <a href="#">FX20931</a>      | <a href="#">Barrel inlet .30 Dynamic</a>                       | B18      | <a href="#">FX10301</a> | <a href="#">Side lever handle</a>             |
| <b>BARREL INLET ORING</b> |                              |  | B19      | <a href="#">FX19026</a> | <a href="#">Cylindrical pin 2,5m6x6</a>       |
| A9 .177                   | <a href="#">FX5114</a>       | <a href="#">O-ring 4,3x1,5 NBR70</a>                           | B20.1    | <a href="#">FX2501</a>  | <a href="#">Cup point grub screw M4x6</a>     |
| A9 .22                    | <a href="#">FX19726</a>      | <a href="#">O-ring 5,5x1,5 NBR70</a>                           | B21      | <a href="#">FX20914</a> | <a href="#">Sidelever Dynamic</a>             |
| A9 .25                    | <a href="#">FX2575</a>       | <a href="#">O-ring 6,35x1,27 NBR70</a>                         | B22      | <a href="#">FX19610</a> | <a href="#">Safety</a>                        |
| A9 .30                    | <a href="#">FX19209</a>      | <a href="#">O-ring 7,5x1,5 NBR70</a>                           | B22.1    | <a href="#">FX12033</a> | <a href="#">Grub screw M4x8</a>               |
| A10                       | <a href="#">Support page</a> | <a href="#">See schematic</a>                                  | B23 .177 | <a href="#">FX20918</a> | <a href="#">Pellet probe .177 Dynamic</a>     |
| A10.1                     | <a href="#">BSLC</a>         | <a href="#">CF Barrel sleeve</a>                               | B23 .22  | <a href="#">FX20919</a> | <a href="#">Pellet probe .22 Dynamic</a>      |
| A6-10.1                   | <a href="#">BAD</a>          | <a href="#">Barrel STX Dynamic</a>                             | B23 .25  | <a href="#">FX20920</a> | <a href="#">Pellet probe .25 Dynamic</a>      |
| A11                       | <a href="#">Support page</a> | <a href="#">See schematic</a>                                  | B23 .30  | <a href="#">FX20921</a> | <a href="#">Pellet probe .30 Dynamic</a>      |
| A12                       | <a href="#">FX20938</a>      | <a href="#">Valvetube End, Plenum PRS Replaced by: FX21004</a> | B23 .35  | <a href="#">FX20922</a> | <a href="#">Pellet probe .35 Dynamic</a>      |
| A13                       | <a href="#">FX19485</a>      | <a href="#">O-ring 23,0x2,5 NBR70</a>                          | B24      | <a href="#">FX5159</a>  | <a href="#">O-ring 10,6x2,4 NBR70</a>         |
| A14                       | <a href="#">FX19950</a>      | <a href="#">O-ring 14x2 NBR70</a>                              | B25      | <a href="#">FX16092</a> | <a href="#">Grub screw M3x4</a>               |
| A15                       | <a href="#">FX19480</a>      | <a href="#">Socket head cap screw M4x10</a>                    | B26      | <a href="#">FX20916</a> | <a href="#">Carrier Dynamic</a>               |
| A16                       | <a href="#">Support page</a> | <a href="#">See schematic</a>                                  | B27      | <a href="#">FX20913</a> | <a href="#">Reloading Protection</a>          |
| A17                       | <a href="#">FX19950</a>      | <a href="#">O-ring 14x2 NBR70</a>                              | B28      | <a href="#">FX11509</a> | <a href="#">Cylindrical pin 3h6x10</a>        |
| A18                       | <a href="#">FX20933</a>      | <a href="#">Barrelsupport Dynamic</a>                          | B29      | <a href="#">FX19742</a> | <a href="#">Grub screw M3x8</a>               |
| <b>A19-A28</b>            | <a href="#">FX21054C</a>     | <a href="#">Arca Panthera Compact Complete</a>                 | B30      | <a href="#">FX20951</a> | <a href="#">Spring Guide Dynamic</a>          |
| A19                       | <a href="#">FX5208</a>       | <a href="#">Countersunk screw M4x6</a>                         | B31      | <a href="#">FX2604</a>  | <a href="#">Hammerspring 52mm</a>             |
| A20                       | <a href="#">FX5225</a>       | <a href="#">Countersunk screw M4x12</a>                        | B32      | <a href="#">FX11540</a> | <a href="#">Hammer Weight</a>                 |
| A21                       | <a href="#">FX5202</a>       | <a href="#">Socket head cap screw M5x12</a>                    | B33      | <a href="#">FX19039</a> | <a href="#">Hammer V7</a>                     |
| A22                       | <a href="#">FX20934</a>      | <a href="#">Barricade Stop Dynamic</a>                         | B34      | <a href="#">FX19109</a> | <a href="#">O-ring 4,0x1,5 NBR70</a>          |
| A23                       | <a href="#">FX19480</a>      | <a href="#">Socket head cap screw M4x10</a>                    | B35      | <a href="#">FX4066</a>  | <a href="#">Steel ball 3mm</a>                |
| A24                       | <a href="#">FX20988</a>      | <a href="#">Support Block Dynamic</a>                          | B36      | <a href="#">FX11501</a> | <a href="#">Spring 0,5x2,5x6,1</a>            |
| A25                       | <a href="#">FX2512</a>       | <a href="#">Socket head cap screw M5x55</a>                    | B37      | <a href="#">FX5173</a>  | <a href="#">Socket head cap screw M5x10</a>   |
| A26                       | <a href="#">FX13039</a>      | <a href="#">Countersunk screw M3x8</a>                         | B38      | <a href="#">FX20911</a> | <a href="#">AR 15 Grip</a>                    |
| A27                       | <a href="#">FX20935</a>      | <a href="#">Fore End Stock Dynamic</a>                         | B39      | <a href="#">FX5170</a>  | <a href="#">Socket head cap screw M6x12</a>   |
| A28                       | <a href="#">FX20942</a>      | <a href="#">Fore End Top Accessory Mount Dynamic</a>           | B40      | <a href="#">FX20912</a> | <a href="#">Trigger Guard Dynamic</a>         |
| <b>B DIAGRAM</b>          |                              |  | B41      | <a href="#">FX2536</a>  | <a href="#">Socket head cap screw M4x30</a>   |
| B1                        | <a href="#">FX20925</a>      | <a href="#">Valve Housing Dynamic</a>                          | B42      | <a href="#">FX5201</a>  | <a href="#">Socket head cap screw M4x16</a>   |
| B2                        | <a href="#">FX19485</a>      | <a href="#">O-ring 23,0x2,5 NBR70</a>                          | B43      | <a href="#">FX19790</a> | <a href="#">O-ring 10,0x1,5 NBR90</a>         |
| B3                        | <a href="#">FX19763</a>      | <a href="#">O-ring 9x1,5 NBR70</a>                             | B44      | <a href="#">FX2504</a>  | <a href="#">Countersunk screw M3x6</a>        |
| B4                        | <a href="#">FX5178</a>       | <a href="#">O-ring 16,5x2 NBR90</a>                            | B45      | <a href="#">FX19742</a> | <a href="#">Grub screw M3x8</a>               |



|                  |                          |  |                    |                           |   |
|------------------|--------------------------|--|--------------------|---------------------------|---|
| B46              | <a href="#">FX11502</a>  | <a href="#">Cylindrical pin 2h6x20</a>           | <b>X-1 DIAGRAM</b> |                           |   |
| B47              | <a href="#">FX2562</a>   | <a href="#">Grub screw M3x3</a>                  | X1-1               | <a href="#">FX20925</a>   | <a href="#">Valve holder</a>  |
| B48              | <a href="#">FX19910</a>  | <a href="#">Dust cover – Quick connection</a>    | X1-2               | <a href="#">FX15016</a>   | <a href="#">O-ring 2,9x1,78 NBR70</a>                                 |
| B49              | <a href="#">FX19791C</a> | <a href="#">Manometer 27mm WIKA 300 bar</a>      | X1-3               | <a href="#">FX20959</a>   | <a href="#">Spring seat</a>   |
| B49              | <a href="#">FX19775</a>  | <a href="#">Manometer 28mm 250 bar</a>           | X1-4               | <a href="#">FX19850</a>   | <a href="#">Spring 0,5x4x20</a>                                       |
| B50              | <a href="#">FX19762</a>  | <a href="#">X-ring 3,63x2,62 NBR70</a>           | X1-5               | FX20926                   | Valve gasket  |
| B51              | <a href="#">FX5201</a>   | <a href="#">Socket head cap screw M4x16</a>      | X1-6               | <a href="#">FX20924</a>   | <a href="#">Vave rod</a>  |
| B52              | <a href="#">FX20986</a>  | <a href="#">Angled Mount (Dual) Dynamic</a>      | X1-7               | <a href="#">FX20923</a>   | <a href="#">Valve seat</a>  |
| B53              | <a href="#">FX19835</a>  | <a href="#">O-ring 8x2 NBR70</a>                 | X1-8               | <a href="#">FX5158</a>    | <a href="#">O-ring 3,5x1 NBR70</a>                                    |
| B54              | <a href="#">FX20927</a>  | <a href="#">Plugg M12 Dynamic</a>                | C29                | FX20973                   | Plastic washer 6x10x2   |
| B55              | <a href="#">FX19790</a>  | <a href="#">O-ring 10,0x1,5 NBR90</a>            | C30                | <a href="#">FX19109</a>   | <a href="#">O-ring 4,0x1,5 NBR70</a>                                  |
| B56              | <a href="#">FX19726</a>  | <a href="#">O-ring 5,5x1,5 NBR70</a>             | C31                | FX20949                   | Cheek Piece Bar Dynamic   |
| B57              | <a href="#">FX19715</a>  | <a href="#">Socket head cap screw M3x5</a>       | <b>X-2 DIAGRAM</b> |                           |   |
| B58              | <a href="#">FX19736</a>  | <a href="#">Plastic Washer 5,3x3,1x1</a>         | X2-1               | <a href="#">FX10293</a>   | <a href="#">Quick adjustment guide Impact M3</a>                      |
| B59              | <a href="#">FX20917</a>  | <a href="#">Sidelever Slot Cover Dynamic</a>     | X2-2               | <a href="#">FX10292</a>   | <a href="#">Quick adjustment wheel Impact M3</a>                      |
| <b>C DIAGRAM</b> |                          |  | X2-3               | <a href="#">FX1147</a>    | <a href="#">Spring 0,25X2,37X20</a>                                   |
| C1               | <a href="#">FX5172</a>   | <a href="#">Socket head cap screw M6x55</a>      | X2-4               | <a href="#">FX10291</a>   | <a href="#">Quick adjustment axle Impact M3</a>                       |
| C2               | FX20909                  | Rear Stock Transition Dynamic                    | X2-5               | <a href="#">FX20050-1</a> | <a href="#">Hammer Adjuster Panthera / Dynamic / King</a>             |
| C3               | FX20910                  | Transition Cover Dynamic                         | X2-6               | <a href="#">FX12035</a>   | <a href="#">Grub screw M2,5x2,5</a>                                   |
| C4               | <a href="#">FX5171</a>   | <a href="#">Countersunk screw M3x12</a>          | <b>X-3 DIAGRAM</b> |                           |   |
| C5               | Support page             | See schematic "Bottle"                           | X3-1               | <a href="#">FX19109</a>   | <a href="#">O-ring 4x1,5 NBR 70</a>                                   |
| C6               | <a href="#">FX11507</a>  | <a href="#">Rubber/Steel Washer</a>              | X3-2               | <a href="#">FX19696</a>   | <a href="#">Regulator piston (long) (May 2017&gt;)</a>                |
| C7               | <a href="#">FX5201</a>   | <a href="#">Socket head cap screw M4x16</a>      | X3-3               | FX0198                    | Bellwiew washers Crown/Imp FAC  |
| C8               | FX20902                  | Recoilpad L-Mount Dynamic                        | X3-4               | <a href="#">FX19109</a>   | <a href="#">O-ring 4x1,5 NBR 70</a>                                   |
| C9               | <a href="#">FX19715</a>  | <a href="#">Socket head cap screw M3x5</a>       | X3-5               | <a href="#">FX19697-1</a> | <a href="#">Regulator house</a>                                       |
| C10              | FX5176                   | M6 nut   | X3-6               | <a href="#">FX19225</a>   | <a href="#">O-ring 7,5x2 NBR70</a>                                    |
| C11              | FX20901                  | Recoilpad Mount Dynamic                          | X3-7               | <a href="#">FX19731</a>   | <a href="#">O-ring 2x1 NBR 90</a>                                     |
| C12              | FX20900                  | Recoilpad Dynamic                                | X3-8               | <a href="#">FX19695</a>   | <a href="#">Regulator Screw Impact</a>                                |
| C13              | <a href="#">FX5170</a>   | <a href="#">Socket head cap screw M6x12</a>      | <b>X-4 DIAGRAM</b> |                           |   |
| C14              | <a href="#">FX16123</a>  | <a href="#">Screw M4x12</a>                      | X4-1               | <a href="#">FX19924</a>   | <a href="#">Trigger base Crown</a>                                    |
| C15              | <a href="#">FX2570</a>   | <a href="#">Washer 10x4,2x0,5</a>                | X4-2               | <a href="#">FX11525</a>   | <a href="#">Trigger wheel</a><br><a href="#">Replaced by: FX10392</a> |
| C16              | FX20977                  | Cheek Piece Mount Dynamic                        | X4-2.1             | <a href="#">FX10392</a>   | <a href="#">Trigger wheel 4</a>                                       |
| C17              | <a href="#">FX19726</a>  | <a href="#">O-ring 5,5x1,5 NBR70</a>             | X4-3               | <a href="#">FX19934</a>   | <a href="#">Trigger sear Crown</a>                                    |
| C18              | FX20908                  | Recoilpad rod Dynamic                            | X4-4               | <a href="#">FX11504</a>   | <a href="#">Spring 0,32x3,2x14,4</a>                                  |
| C19              | <a href="#">FX20983</a>  | <a href="#">Bottle connector PRS</a>             | X4-5               | <a href="#">FX19742</a>   | <a href="#">Grub screw M3x8</a>                                       |
| C20              | <a href="#">FX19694</a>  | <a href="#">Brass adapter Impact</a>             | X4-6               | <a href="#">FX11015</a>   | <a href="#">Second stage trigger screw M5</a>                         |
| C21              | <a href="#">FX19761</a>  | <a href="#">O-ring 2,2x1 NBR70</a>               | X4-7               | <a href="#">FX12035</a>   | <a href="#">Grub screw M2,5x2,5</a>                                   |
| C22              | <a href="#">FX5230</a>   | <a href="#">Socket head cap screw M4x6</a>       | X4-8               | <a href="#">FX2500</a>    | <a href="#">Grub screw M3x6</a>                                       |
| C23              | <a href="#">FX20948</a>  | <a href="#">Cheek Piece Locking Knob Dynamic</a> | X4-9               | <a href="#">FX19136</a>   | <a href="#">Adjustable trigger blade</a>                              |
| C24              | <a href="#">FX5201</a>   | <a href="#">Grubscrew M4x16</a>                  | X4-10              | <a href="#">FX19178</a>   | <a href="#">Socket head cap screw M2x4</a>                            |
| C24.1            | FX5174                   | Grubscrew M4x20                                  | X4-11              | <a href="#">FX19137</a>   | <a href="#">Triggerpin</a>  |
| C25              | FX20950                  | Cheek Piece Dynamic                              | X4-12              | <a href="#">FX19927</a>   | <a href="#">Screw trigger roll Crown</a>                              |
| C26              | FX20907                  | Rear Stock Dynamic                               | X4-13              | <a href="#">FX19742</a>   | <a href="#">Grub screw M3x8</a>                                       |
| C27              | <a href="#">FX2536</a>   | <a href="#">Grub screw M4x30</a>                 | <b>X-5 DIAGRAM</b> |                           |   |
| C28              | <a href="#">FX5125</a>   | <a href="#">O-ring 6,5x1,5 NBR70</a>             | X5-1               | <a href="#">FX16303</a>   | <a href="#">Quick connector short</a>                                 |
| C29              | FX20973                  | Plastic washer 6x10x2                            | X5-2               | <a href="#">FX19720</a>   | <a href="#">O-ring 10x1 NBR90</a>                                     |
| C30              | <a href="#">FX19109</a>  | <a href="#">O-ring 4,0x1,5 NBR70</a>             | X5-3               | <a href="#">FX19005</a>   | <a href="#">Inlet valve rod</a>                                       |
| C31              | FX20949                  | Cheek Piece Bar Dynamic                          | X5-4               | <a href="#">FX5107</a>    | <a href="#">O-ring 2,9x1,78 PUR90</a>                                 |

| X-6 DIAGRAM |  |  |      |                         |   |
|-------------|--|--|------|-------------------------|---|
|             |  |  | X6-1 | <a href="#">FX19908</a> | <a href="#">Power adjuster Crown</a>    |
|             |  |  | X6-2 | <a href="#">FX2508</a>  | <a href="#">Countersunk screw M3x10</a> |
|             |  |  | X6-3 | <a href="#">FX11501</a> | <a href="#">Spring 0.5x2.5x6.1</a>      |
|             |  |  | X6-4 | <a href="#">FX4066</a>  | <a href="#">Steel ball 3mm</a>          |