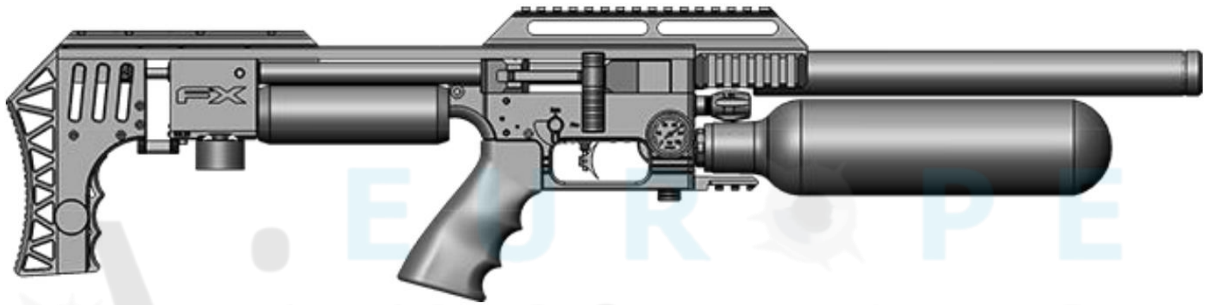


Model	Website	Date	Revision	Revision date
FX Impact M3	https://europeairguns.com/en	2023-12-16	EN.23.12	2023-12-16

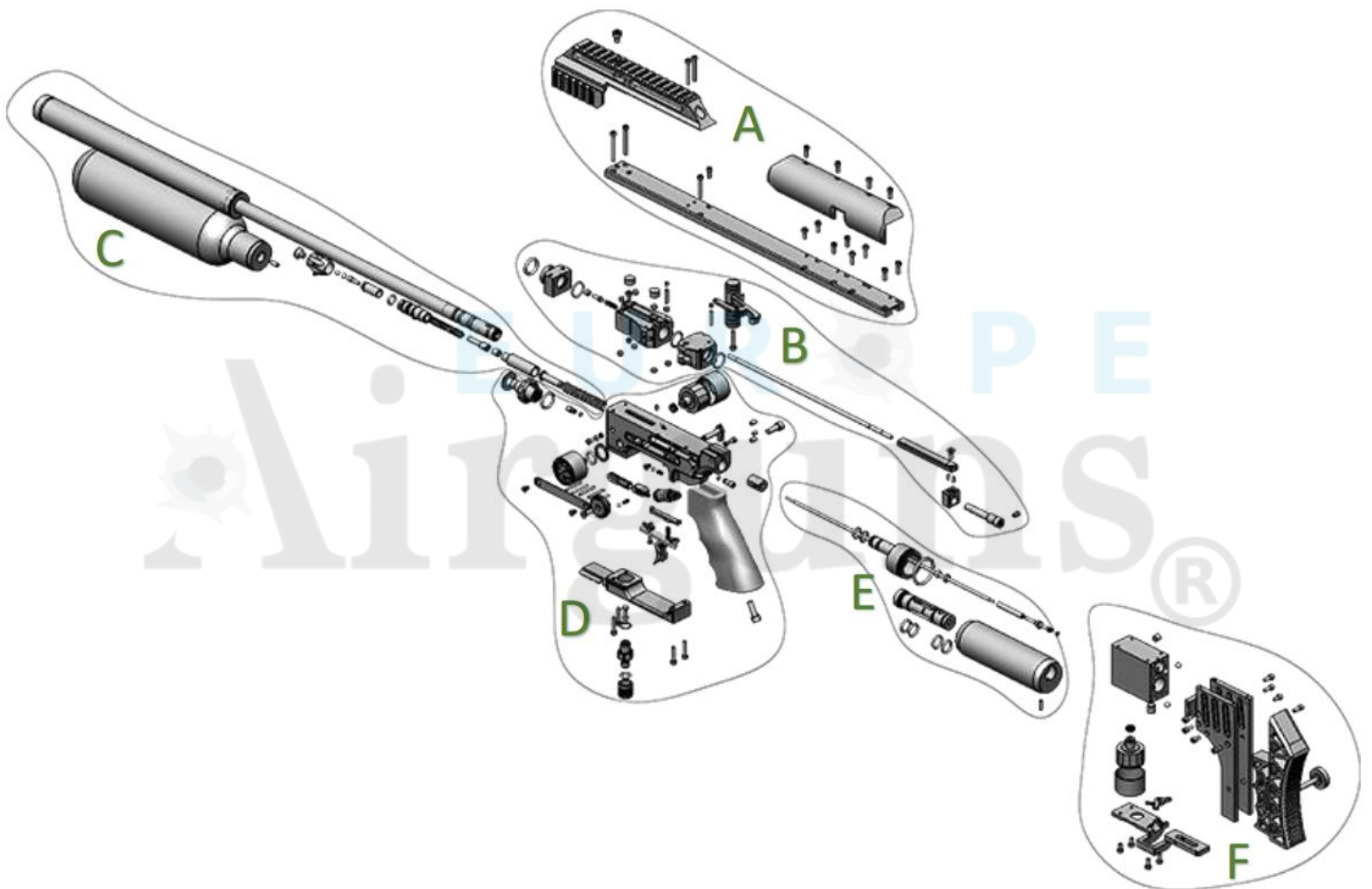
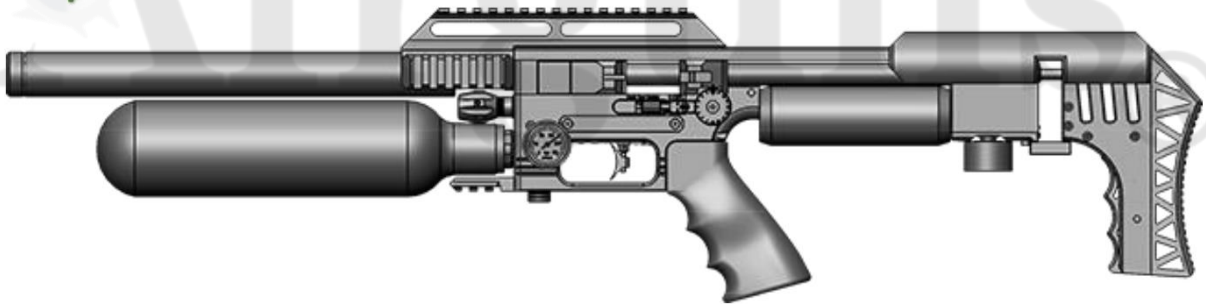
Go to the list and click to go directly to the spare part at the webshop! **Worldwide shipping!**

To find out more visit <https://europeairguns.com>

If there is a spare part that is missing, please contact us here: <https://europeairguns.com/en/contact-us>

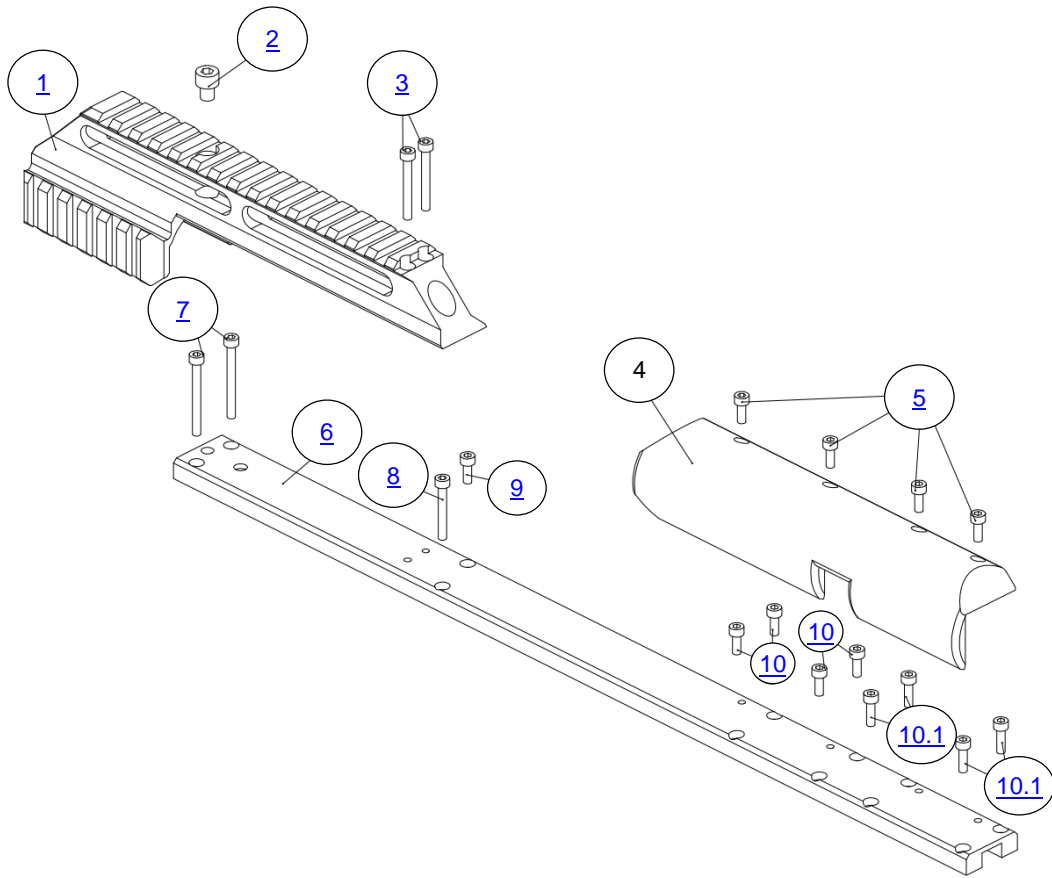


Impact M3

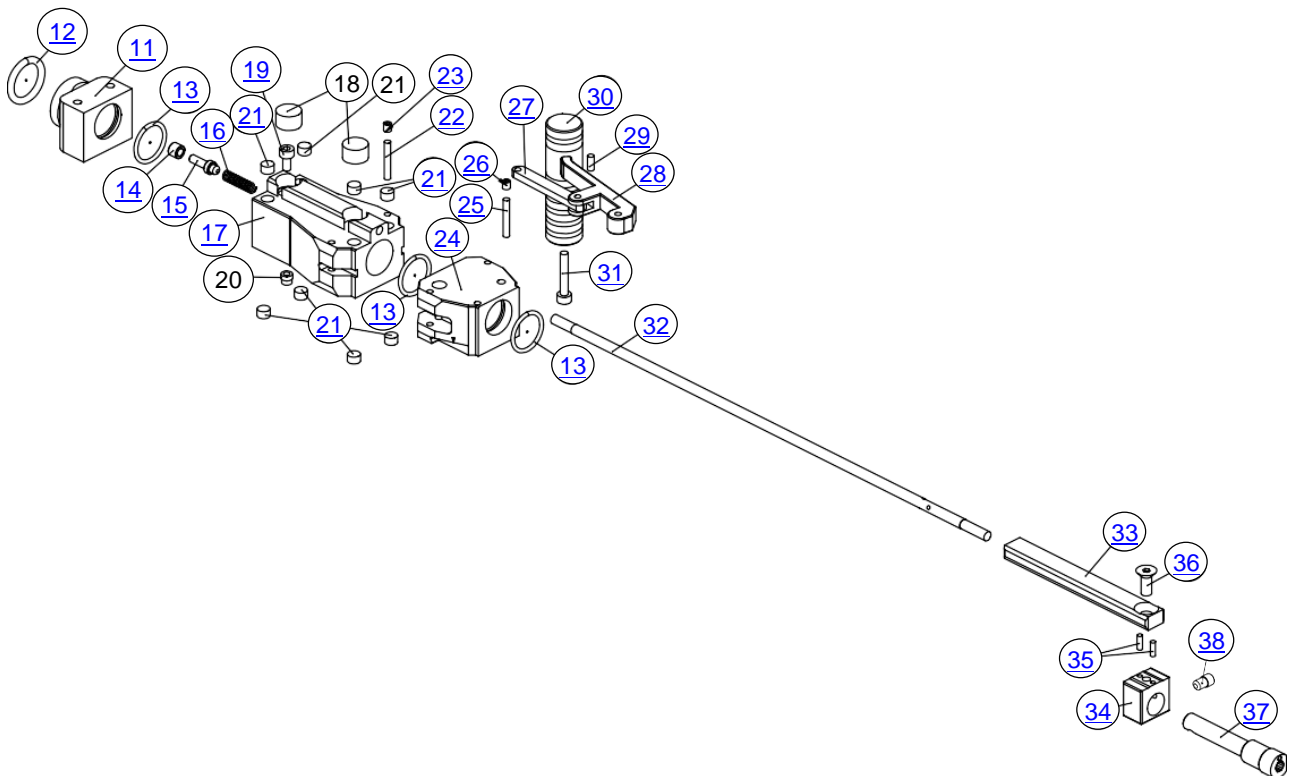


Model	Website	Date	Revision	Revision date
FX Impact M3	https://europeairguns.com/en	2023-12-16	EN.23.12	2023-12-16

A



B



Model
FX Impact M3

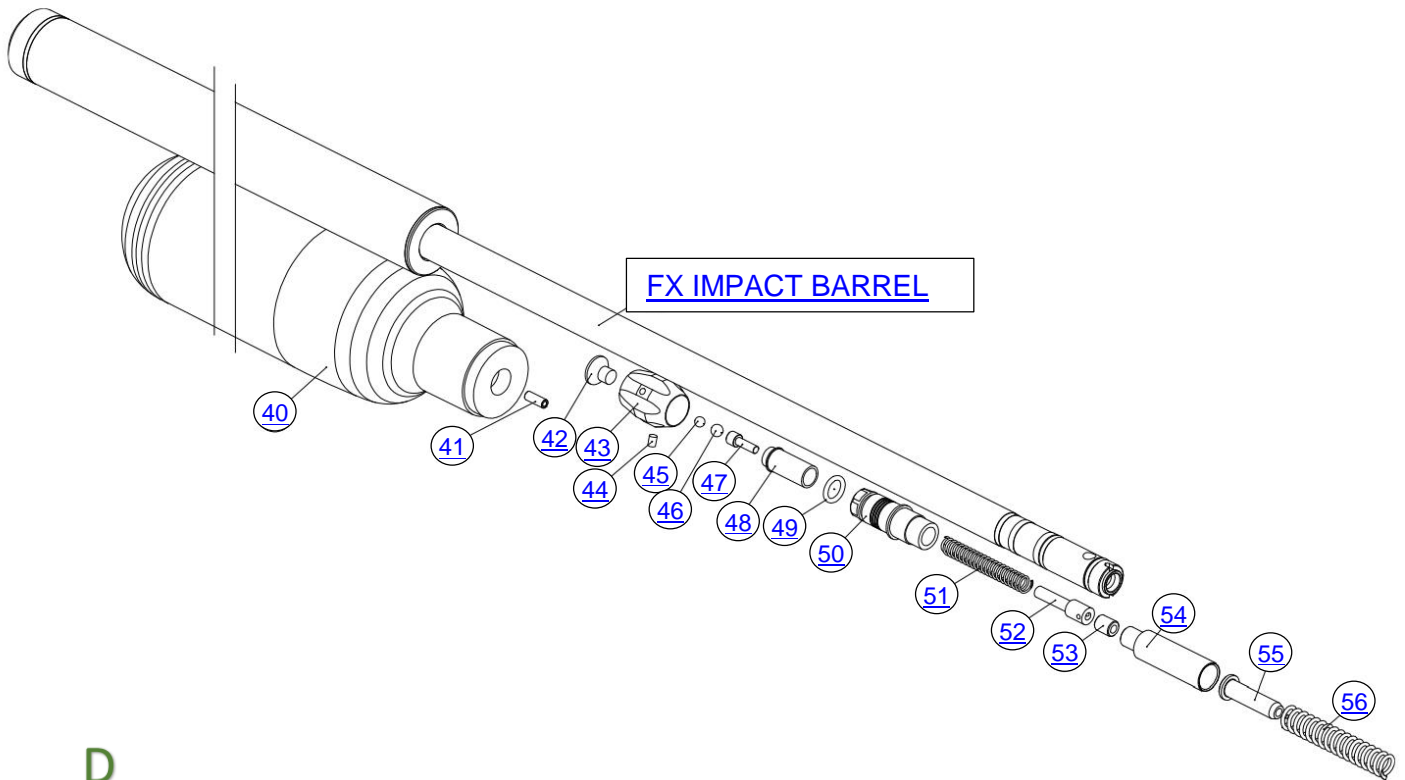
Website
<https://europeairguns.com/en>

Date
2023-12-16

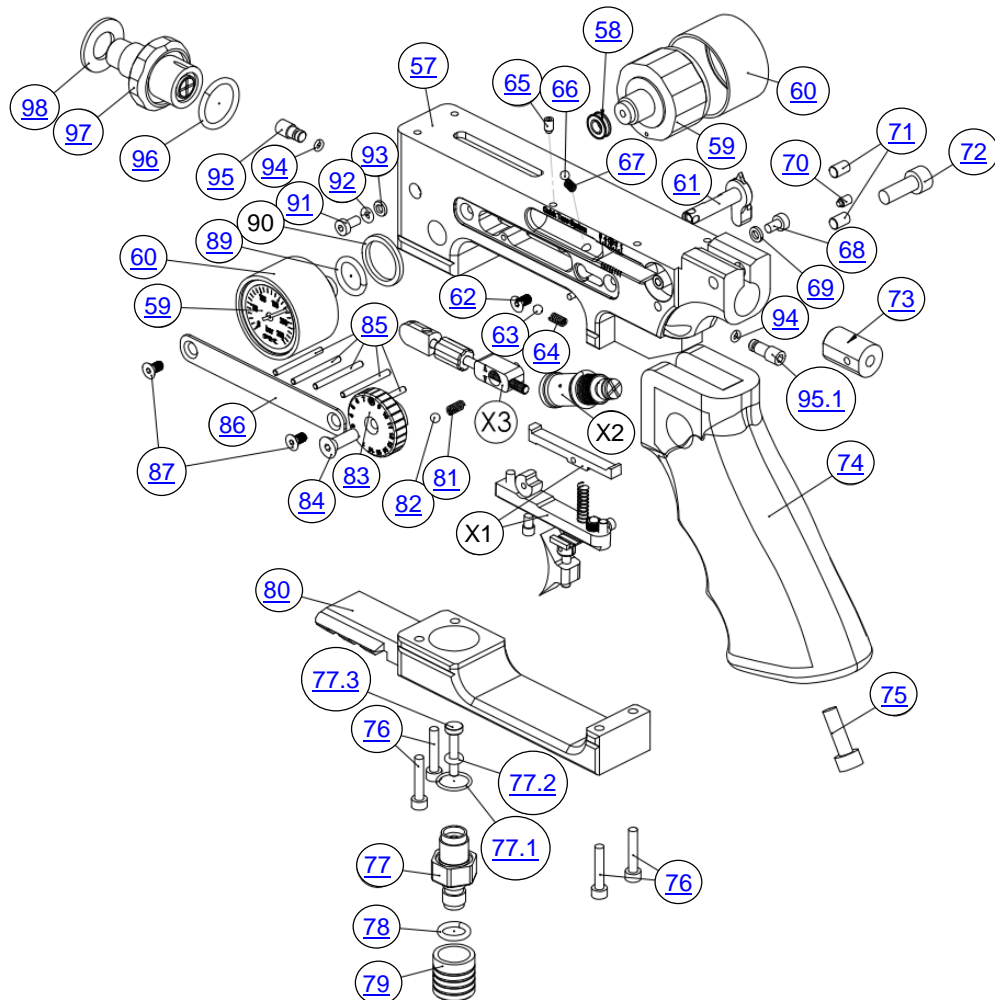
Revision
EN.23.12

Revision date
2023-12-16

C

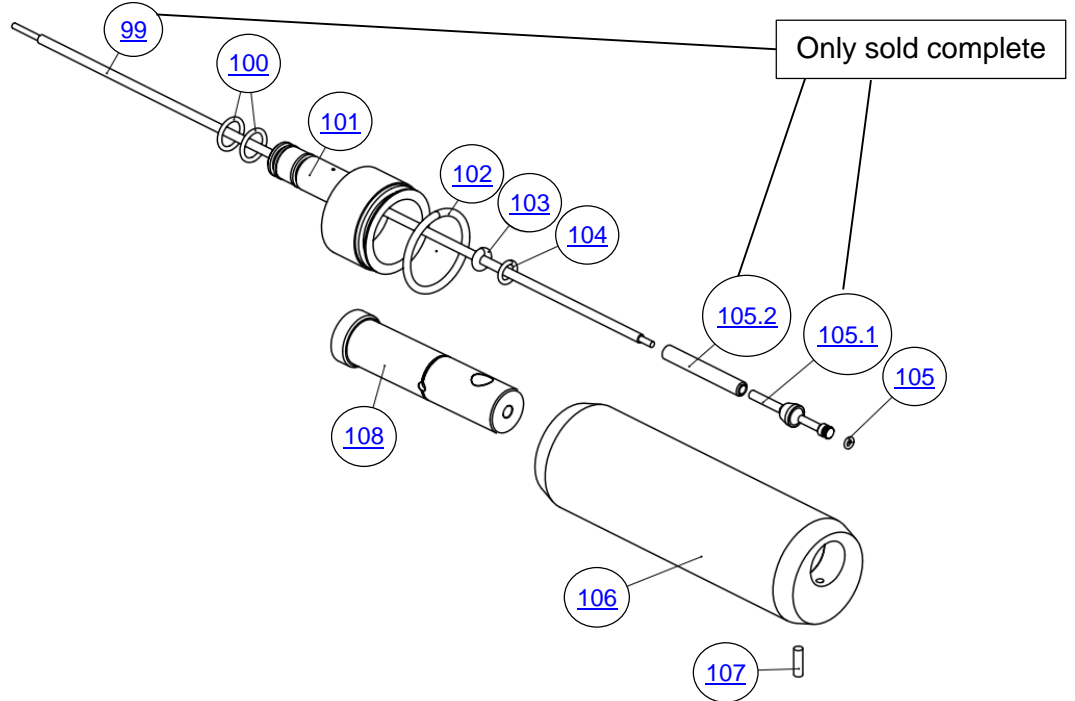


D

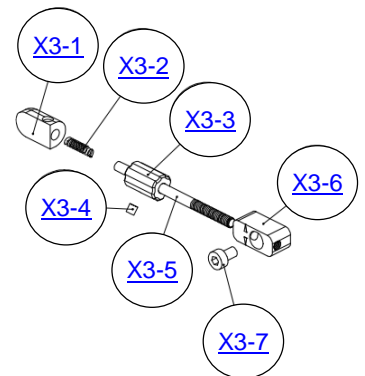
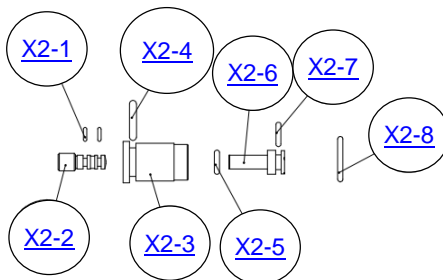
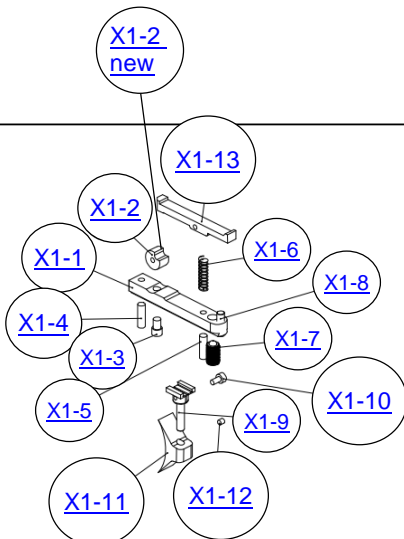
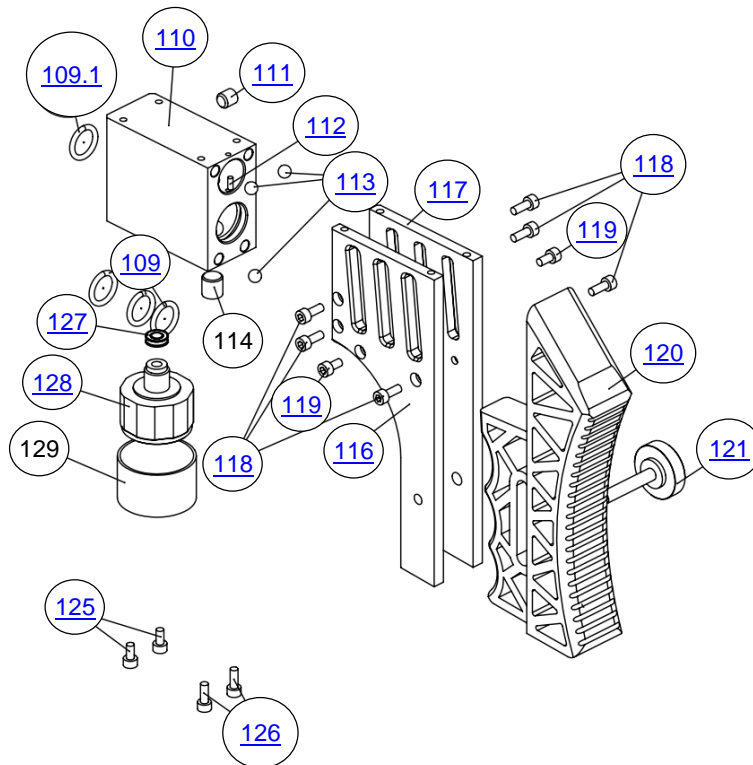


Model	Website	Date	Revision	Revision date
FX Impact M3	https://europeairguns.com/en	2023-12-16	EN.23.12	2023-12-16

E



F



NO	ART. NO	DESCRIPTION	NO	ART. NO	DESCRIPTION
A1	FX19644	Rail Picatinny x3 Impact Black	C54	FX20270	Hammer V2 Power Plenum
A2	FX19684	Socket head cap screw M5x8	C55	FX20271	Hammer weight Power Plenum
A3	FX2554	Socket head cap screw M3x25	C56	FX2604	Hammerspring 52mm
A4	FX19779	Cheek piece for Impact (january 2019)	D57	FX10287	Trigger block Impact M3 Black
A5	FX12610	Socket head cap screw M3x8	D57	FX10285	Trigger block Impact M3 Bronze
A6	FX19642	Guiding Plate Impact	D58	FX19762	X-ring 3,63x2,62 NBR 70
A7	FX11506	Socket head cap screw M3x30	D59	FX19775-250	Manometer 28mm with black cover 250bar
A8	FX19740	Socket head cap screw M3x22	D59	FX19775-300	Manometer 28mm with black cover 300bar
A9	FX12610	Socket head cap screw M3x8	D60	FX19776	Sleeve for manometer black Impact MKII
A10	FX12610	Socket head cap screw M3x8	D61	FX10336	Safety Impact M3
A10.1	FX2527	Socket head cap screw M3x10	D62	FX2504	Countersunk screw M3x6
B11	FX10339	Rear Support Impact M3 <i>*Replaced by FX20678</i>	D63	FX4066	Steel ball 3mm
B11*	FX20678	Carbon Front Support Impact	D64	FX11501	Spring 0,5x2,5x6,1
B12	FX12045	O-ring 13.95x2.62 NBR 70	D65	FX2561	Dog point grub screw M3x5
B13	FX19718	O-ring 14x1,5 NBR 70	D66	FX4066	Steel ball 3mm
B14	FX10323	Sleeve spring pin Reloadingblock Impact M3	D67	FX5565	Spring 0,32x2,5x4,8
B15	FX10322	Spring pin reloadingblock Impact M3	D68	FX19715	Socket head cap screw M3x5
B16	FX17046	Spring 0,5x3,5x15	D69	FX19736	Plastic Washer 5,3x3,1x1
B17	FX10299C	Reloading block Impact M3 Complete	D70	FX2561	Dog point grub screw M3x5
B18	FX19653	Puck 9,9	D71	FX2501	Grub screw M4x6
B19	FX19713	Socket head cap screw M3x6	D72	FX4535	Socket head cap screw M5x14
B20	FX19676	Sleeve reloading	D73	FX19609	Spring holder Impact
B21	FX19652	Puck 5,0	D74	FX19710	Houge Grip Rubber AR15
B22	FX3010	CPK 2,5m6x16	D75	FX19743	Socket head cap screw M6x20
B23	FX2562	Cup point grub screw M3x3	D76	FX19682	Socket head cap screw M3x16
B24	FX10300	Rear support Impact M3	D77	FX16303	Quick connector short
B25	FX3010	CPK 2,5m6x16	D77.1	FX19720	O-ring 10x1 NBR 90
B26	FX2562	Cup point grub screw M3x3	D77.2	FX5107	O-ring 2,9x1,78 PUR 90
B27	FX19021	Side lever linkage	D77.3	FX19005	Inlet valve rod - Blue
B28	FX10340	Sidelever Impact M3	D78	FX4528	O-ring 7.66x1.78 NBR70
B29	FX19026	Cylindrical pin 2,5m6x6	D79	FX19910	Dust Cover - Quick Connection
B30	FX10301	Side lever handle Impact M3	D80	FX19689	Trigger guard Impact, black
B31	FX11060	Socket head cap screw M3x18	D81	FX11501	Spring 0,5x2,5x6,1
B32	FX19667	Reloading Bar	D82	FX4066	Steel ball 3mm
B33	FX19612	Pellet probe guide	D83	FX10310	Power adjuster Impact M3
B34	FX19614	Pellet probe holder	D84	FX2508	Countersunk screw M3x10
B35	FX19601	Cylindrical pin 2h6x6	D85	FX19040	Cylindrical pin 2m6x23,5
B36	FX2505	Countersunk screw m4x10	D86	FX19693	Impact sprintholder
B37	FX19641	Pellet probe Impact .177	D87	FX2504	Countersunk screw M3x6
B37	FX19620	Pellet probe Impact .22	D88	N/A	N/A
B37	FX19621	Pellet probe Impact .25	D89	FX5105	O-ring 9,3 x 2,4 NBR 90
B37	FX19619	Pellet probe Impact .30	D90	-	<i>Brass washer Impact M3, 1.7mm – 2.1mm</i>
B37	FX19798	Pellet probe Impact .35	D89	FX19703	O-ring 10x2 NBR 70
B38	FX19643	Grub screw, Feeding pin, M4,	D90	-	<i>Brass washer Impact M3, 1.2mm – 1.6mm</i>
FX Carbon fiber Impact bottle			D91	FX7984	Socket head cap screw M3x6
C40	FX5535	Carbonfiber Bottle 300 cc (Compact)	D92	FX5120	O-ring 2,5 x 1,5 NBR 70
C40	FX5532	Carbonfiber Bottle 480 cc (Standard)	D93	FX19736	Plastic Washer 5,3x3,1x1

C40	FX5534	Carbonfiber Bottle 580 cc (Sniper)	D94	FX19761	O-ring 2,2x1 NBR 70
C41	FX10290	Valve Pin Bushing Impact M3	D95	FX10335	Brass adapter Impact M3
C42	FX19717	Countersunk screw m6x8	D95.1	FX10335	Brass adapter Impact M3
C43	FX10327	Valve adjuster knob Impact M3	D96	FX19950	O-ring 14x2 NBR 70
C44	FX16092	Grub screw M3x4	D97	FX20540	Bottle connector Impact M3 cpl.
C45	FX19227	Rubber ball 4.0mm NBR75	D98	FX11507	Rubber/Steel Washer
C46	FX5110	Rubberball 4,75 NBR75	E99	FX19647	Valverod (complete valve)
C47	FX10325	Valve stop piston Impact M3	E100	FX19763	O-ring 9x1,5 NBR90
C48	FX20277	Valve adjuster screw	E101	FX10338	Valvetube End, Power Plenum Impact M3
C49	FX19722	O-ring 9x1,5 NBR 70	E102	FX19105	O-ring 25,0x2,5 NBR 70
C50	FX19616	Valvestop Impact	E103	FX19768	O-ring 2.84x2.62 PUR90
C51	FX1301	Spring 0.75x5.95x45	E104	FX19726	O-ring 5.5x1.5 NBR70
C51	FX2602	Spring 1x6.2x45 (harder spring on .22 sniper)	E105	FX19761	O-ring 2,2x1 NBR 70
C52	FX19604	Hammerseat	E105.1	FX20275	Valvepin complete Impact, Power Plenum
C52	FX20392-C	Hammerseat Impact .35 cpl	E105.2	FX19603	Valve nut impact
C53	FX20272	Hammer Sleeve, Impact, Power Plenum	E106	FX10337	Valvetube Power Plenum Impact M3

E107	FX11508	Grub screw M3x10	X1-11	FX19136	Adjustable trigger blade
E108	FX19786	Valvehouse, Impact, Power Plenum Replaced by: FX20671 for new power block	X1-12	FX12035	Grub screw M2.5x2.5
E108*	FX20671	Valvehouse, Impact, Big Plenum	X1-13	FX19636	Triggersear
E109	FX5154	O-ring 16,0x2,0 NBR90	X-2		
E109.1	FX19718	O-ring 14,0x1,5 NBR70	X2-1	FX19731	O-ring 2x1 NBR 90
F110	FX196983	Rear block Impact M3 Replaced by: FX20670R	X2-2	FX19695	Regulator Screw Impact
F110*	FX20670R	Rear Block Impact M3 PP	X2-3	FX19697-1	Regulator house
F111	FX19846	Grubb screw M6x6	X2-4	FX19225	O-ring 7,5x2 NBR70
F112	FX19702	Cylindrical pin 2h6x5	X2-5	FX19109	O-ring 4x1,5 NBR 70
F113	FX5110	Rubberball 4,75 NBR 75	X2-6	FX19696	Regulator piston (long) (May 2017>)
F114	FX19224	Cup point grub screw M8x8	X2-7	FX19109	O-ring 4x1,5 NBR 70
F115	FX19606	Magazine holder Impact	X2-8	FX19790	O-ring 10x1,5 NBR90 <i>(inserted in trigger block D57)</i>
F116	FX19646	Left plate Impact	X-1		
F117	FX19645	Right plate Impact	X3-1	FX10293	Quick adjustment guide Impact M3
F118	FX12610	Socket head cap screw M3x8	X3-2	FX1147	Spring 0,25X2,37X20
F119	FX19713	Socket head cap screw M3x6	X3-3	FX10292	Quick adjustment wheel Impact M3
F120	FX19618	Recoilpad	X3-4	FX12035	Grub screw M2,5x2,5
F121	FX19728	Adjustment Screw Recoilpad Impact	X3-5	FX10291	Quick adjustment axle Impact M3
F122	FX20117	Magazine bracket Impact MkII	X3-6	FX19602	Hammer adjuster
F123	FX20116	Locking arm Magazine bracket MkII	X3-7	FX19715	Socket head cap screw M3x5
F124	FX16093	Spring 0,3x2x10	FX Impact Barrel		
F125	FX19713	Socket head cap screw M3x6	Cal.	5,5/.22 to 9/.35	Liner Kit Impact Tensioned Super Sniper 800mm
F126	FX12610	Socket head cap screw M3x8	Cal.	4,5/.177 to 9/.35	Liner Kit Impact Tensioned Sniper 700mm
F127	FX19762	X-ring 3,63x2,62 NBR 70	Cal.	4,5/.177 - 500	Tube Kit FX Impact 4.5 Compact 500mm

F128	FX19775	Manometer 28mm with black cover Replaced by FX19791C	Cal.	4,5/.177 - 600	Tube Kit FX Impact 4.5 Standard 600mm
F129	FX19776	Sleeve for manometer black Impact MKII	Cal.	4,5/.177 - 700	Tube Kit FX Impact 4.5 Sniper 700mm
X-1			Cal.	5,5/.22-500	Tube Kit FX Impact 5.5 Compact 500mm
X1-1	FX10302	Triggerbase Impact M3	Cal.	5,5/.22 - 600	Tube Kit FX Impact 5.5 Standard 600mm
X1-2	FX11525	Triggerroll *discontinued	Cal.	5,5/.22 - 700	Tube Kit FX Impact 5.5 Sniper 700mm
X1-2	FX10392	*NEW Triggerroll	Cal.	6,35/.25 - 500	Tube Kit FX Impact 6.35 Compact 500mm
X1-3	FX19927	Screw trigger roll Crown	Cal.	6,35/.25 - 600	Tube Kit FX Impact 6.35 Standard 600mm
X1-4	FX11508	Grub screw M3x10	Cal.	6,35/.25 - 700	Tube Kit FX Impact 6.35 Sniper 700mm
X1-5	FX11508	Grub screw M3x10	Cal.	7,62/.30 - 500	Tube Kit FX Impact 7.62 Compact 500mm
X1-6	FX11504	Spring 0.32x3,2x14,4 v2.3	Cal.	7,62/.30 - 600	Tube Kit FX Impact 7.62 Standard 600mm
X1-7	FX11015	Second stage trigger screw M5	Cal.	7,62/.30 - 700	Tube Kit FX Impact 7.62 Sniper 700mm
X1-8	FX11508	Grub screw M3x10	Cal.	9/.35 - 500	Tube Kit FX Impact 9.0 Compact 500mm
X1-9	FX19137	Triggerpin Impact M3	Cal.	9/.35 - 600	Tube Kit FX Impact 9.0 Standard 600mm
X1-10	FX19178	Screw M2x4	Cal.	9/.35 - 700	Tube Kit FX Impact 9.0 Sniper 700mm

REPAIR / IMPROVE KITS



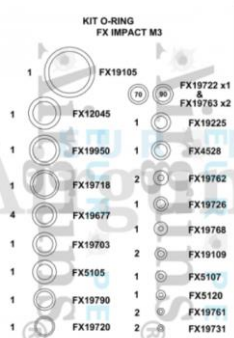
[REF: FX20340](#)

[Slug power KIT Impact M3](#)



[REF: FX20825](#)

[Impact Power Block Kit M3](#)



[REF: FX20602](#)

[O-Ring Kit FX Impact M3](#)

FXairguns
Spain



[REF: FXK9121](#)

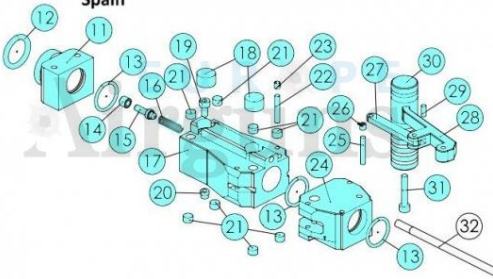
[**Repair Kit Crown & Impact-Reg.**](#)



[REF: YST0051](#)

[**FX Impact Fishing Kit M3**](#)

FXairguns
Spain



[REF: FX20602](#)

[**KIT FX impact M3 cocking block**](#)