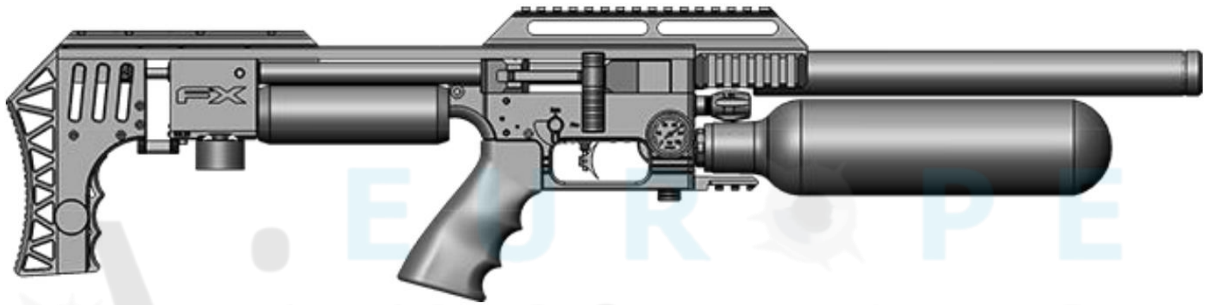


Model	Website	Date	Revision	Revision date
FX Impact M3	<a href="https://europeairguns.com/en">https://europeairguns.com/en</a>	2023-12-16	EN.23.12	2023-12-16

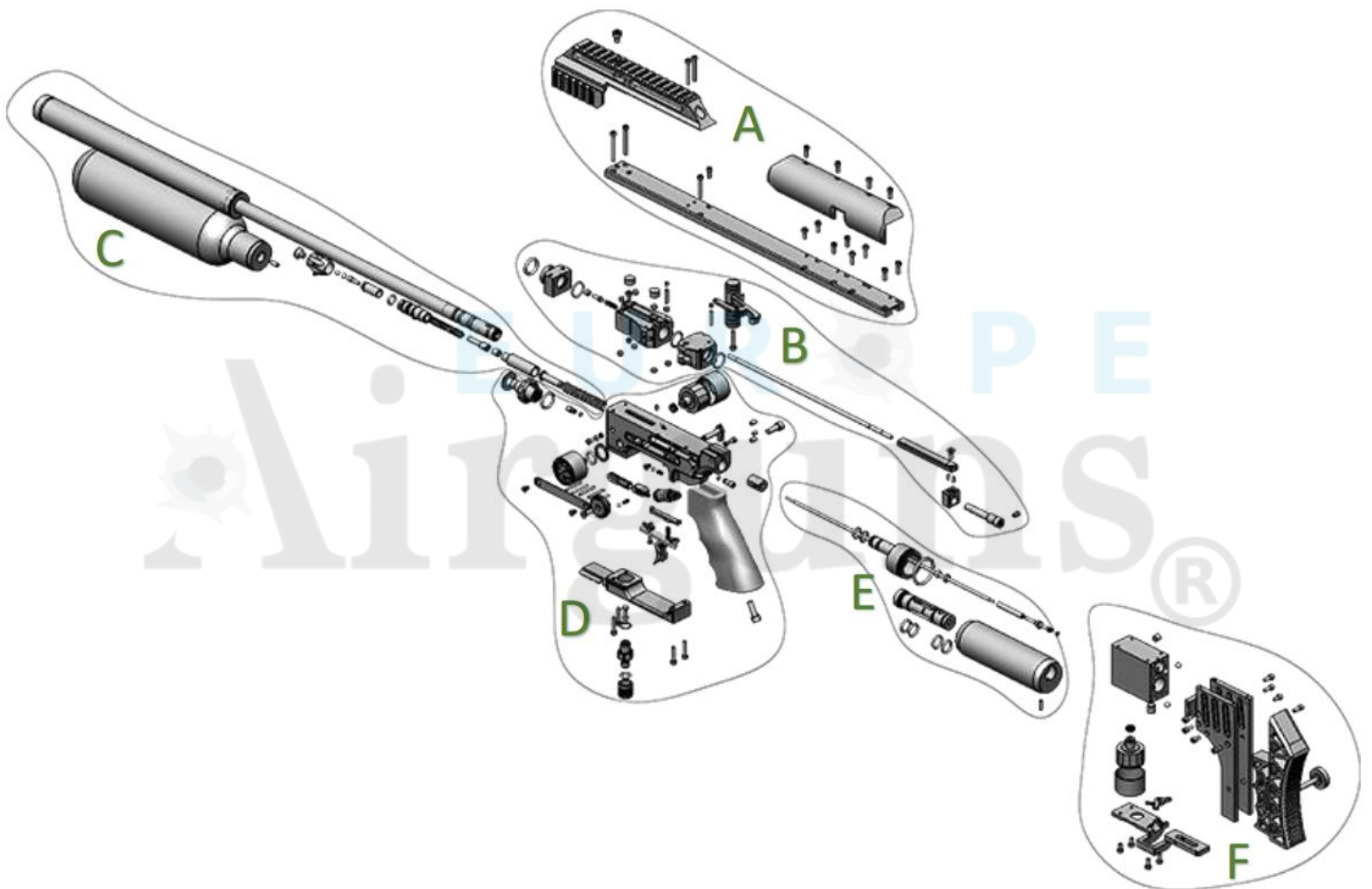
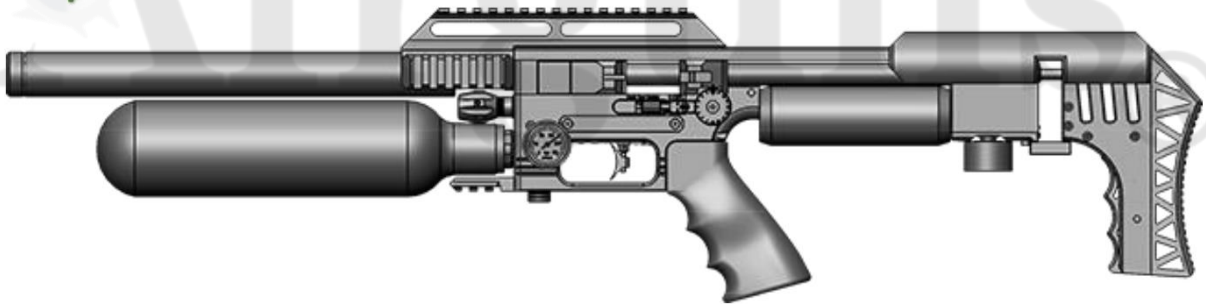
Go to the list and click to go directly to the spare part at the webshop! **Worldwide shipping!**

To find out more visit <https://europeairguns.com>

If there is a spare part that is missing, please contact us here: <https://europeairguns.com/en/contact-us>

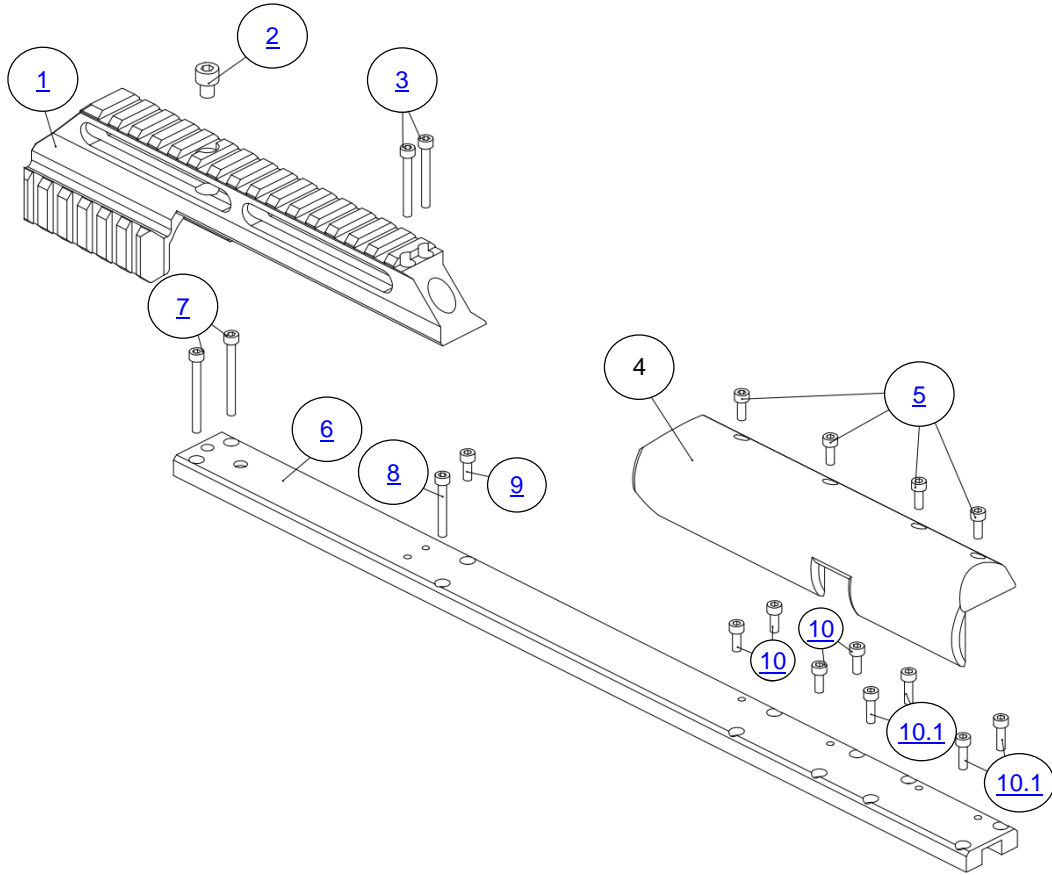


Impact M3

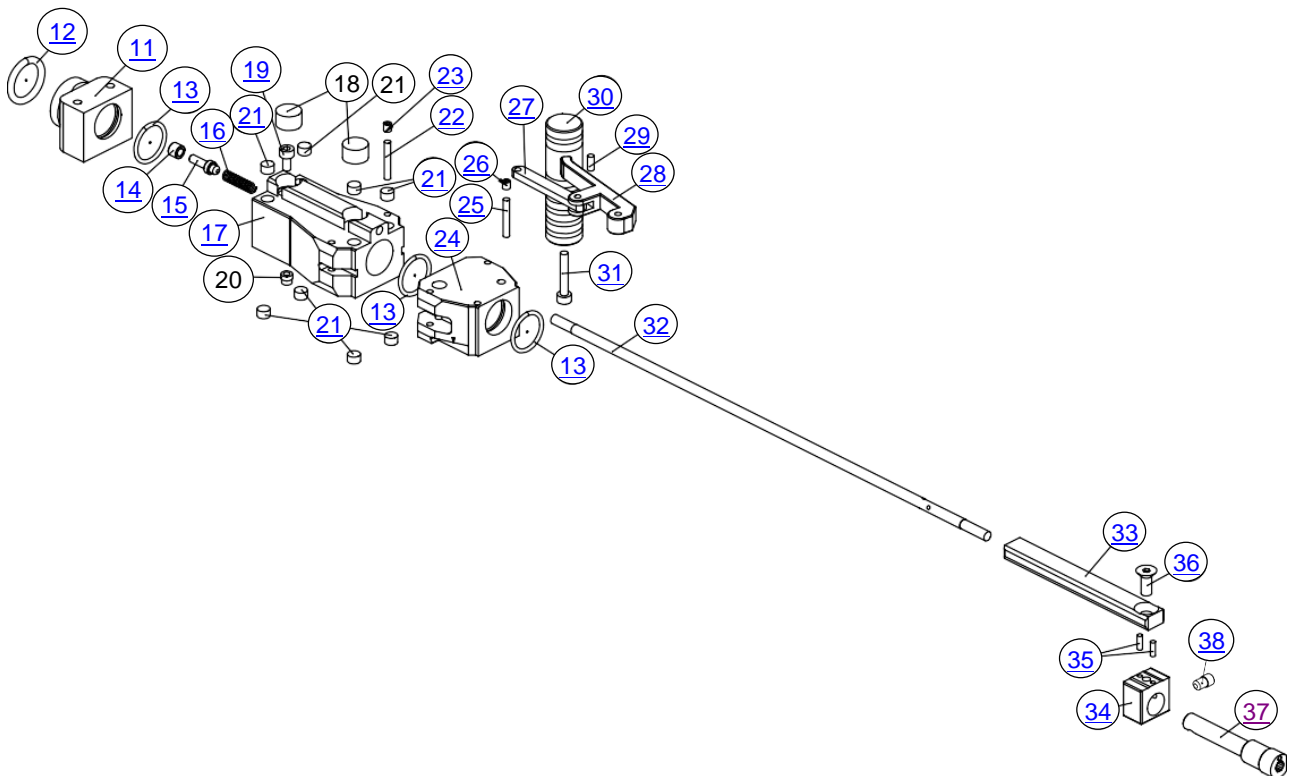


Model	Website	Date	Revision	Revision date
FX Impact M3	<a href="https://europeairguns.com/en">https://europeairguns.com/en</a>	2023-12-16	EN.23.12	2023-12-16

A

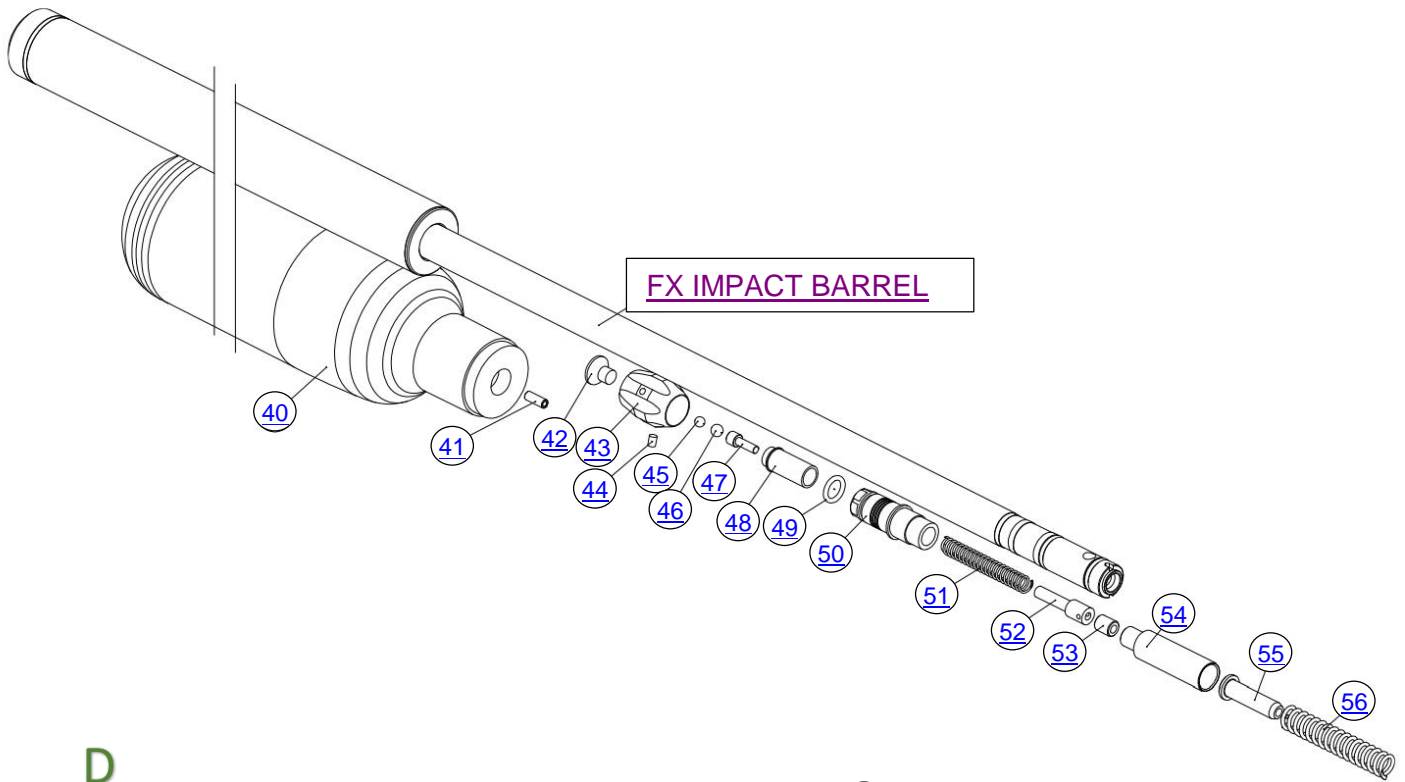


B

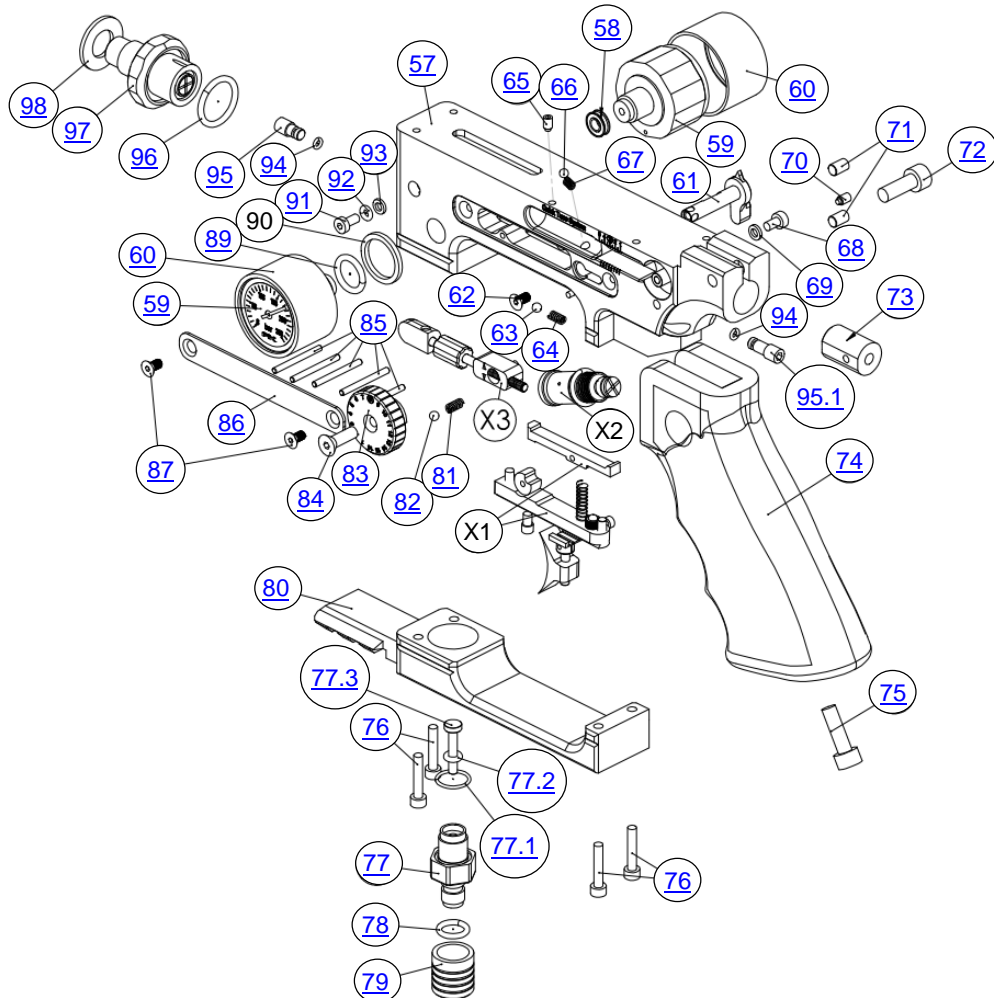


Model	Website	Date	Revision	Revision date
FX Impact M3	<a href="https://europeairguns.com/en">https://europeairguns.com/en</a>	2023-12-16	EN.23.12	2023-12-16

C



D





NO	ART. NO	DESCRIPTION	NO	ART. NO	DESCRIPTION
A1	<a href="#">FX19644</a>	<a href="#">Rail Picatinny x3 Impact Black</a>	C54	<a href="#">FX20270</a>	<a href="#">Hammer V2 Power Plenum</a>
A2	<a href="#">FX19684</a>	<a href="#">Socket head cap screw M5x8</a>	C55	<a href="#">FX20271</a>	<a href="#">Hammer weight Power Plenum</a>
A3	<a href="#">FX2554</a>	<a href="#">Socket head cap screw M3x25</a>	C56	<a href="#">FX2604</a>	<a href="#">Hammerspring 52mm</a>
A4	FX19779	Cheek piece for Impact (january 2019)	D57	<a href="#">FX10287</a>	<a href="#">Trigger block Impact M3 Black</a>
A5	<a href="#">FX12610</a>	<a href="#">Socket head cap screw M3x8</a>	D57	FX10285	Trigger block Impact M3 Bronze
A6	<a href="#">FX19642</a>	<a href="#">Guiding Plate Impact</a>	D58	<a href="#">FX19762</a>	<a href="#">X-ring 3,63x2,62 NBR 70</a>
A7	<a href="#">FX11506</a>	<a href="#">Socket head cap screw M3x30</a>	<b>D59</b>	<a href="#">FX19775-250</a>	<a href="#">Manometer 28mm with black cover 250bar</a>
A8	<a href="#">FX19740</a>	<a href="#">Socket head cap screw M3x22</a>	<b>D59</b>	<a href="#">FX19775-300</a>	<a href="#">Manometer 28mm with black cover 300bar</a>
A9	<a href="#">FX12610</a>	<a href="#">Socket head cap screw M3x8</a>	D60	<a href="#">FX19776</a>	<a href="#">Sleeve for manometer black Impact MKII</a>
A10	<a href="#">FX12610</a>	<a href="#">Socket head cap screw M3x8</a>	D61	<a href="#">FX10336</a>	<a href="#">Safety Impact M3</a>
A10.1	<a href="#">FX2527</a>	<a href="#">Socket head cap screw M3x10</a>	D62	<a href="#">FX2504</a>	<a href="#">Countersunk screw M3x6</a>
B11	<a href="#">FX10339</a>	<a href="#">Rear Support Impact M3</a> <b>*Replaced by <a href="#">FX20678</a></b>	D63	<a href="#">FX4066</a>	<a href="#">Steel ball 3mm</a>
B11*	<a href="#">FX20678</a>	<a href="#">Carbon Front Support Impact</a>	D64	<a href="#">FX11501</a>	<a href="#">Spring 0,5x2,5x6,1</a>
B12	<a href="#">FX12045</a>	<a href="#">O-ring 13.95x2.62 NBR 70</a>	D65	<a href="#">FX2561</a>	<a href="#">Dog point grub screw M3x5</a>
B13	<a href="#">FX19718</a>	<a href="#">O-ring 14x1,5 NBR 70</a>	D66	<a href="#">FX4066</a>	<a href="#">Steel ball 3mm</a>
B14	<a href="#">FX10323</a>	<a href="#">Sleeve spring pin Reloadingblock Impact M3</a>	D67	<a href="#">FX5565</a>	<a href="#">Spring 0,32x2,5x4,8</a>
B15	<a href="#">FX10322</a>	<a href="#">Spring pin reloadingblock Impact M3</a>	D68	<a href="#">FX19715</a>	<a href="#">Socket head cap screw M3x5</a>
B16	<a href="#">FX17046</a>	<a href="#">Spring 0,5x3,5x15</a>	D69	<a href="#">FX19736</a>	<a href="#">Plastic Washer 5,3x3,1x1</a>
B17	<a href="#">FX10299C</a>	<a href="#">Reloading block Impact M3 Complete</a>	D70	<a href="#">FX2561</a>	<a href="#">Dog point grub screw M3x5</a>
B18	FX19653	Puck 9,9	D71	<a href="#">FX2501</a>	<a href="#">Grub screw M4x6</a>
B19	<a href="#">FX19713</a>	<a href="#">Socket head cap screw M3x6</a>	D72	<a href="#">FX4535</a>	<a href="#">Socket head cap screw M5x14</a>
B20	FX19676	Sleeve reloading	D73	<a href="#">FX19609</a>	<a href="#">Spring holder Impact</a>
B21	<a href="#">FX19652</a>	<a href="#">Puck 5,0</a>	D74	<a href="#">FX19710</a>	<a href="#">Houge Grip Rubber AR15</a>
B22	<a href="#">FX3010</a>	<a href="#">CPK 2,5m6x16</a>	D75	<a href="#">FX19743</a>	<a href="#">Socket head cap screw M6x20</a>
B23	<a href="#">FX2562</a>	<a href="#">Cup point grub screw M3x3</a>	D76	<a href="#">FX19682</a>	<a href="#">Socket head cap screw M3x16</a>
B24	<a href="#">FX10300</a>	<a href="#">Rear support Impact M3</a>	D77	<a href="#">FX16303</a>	<a href="#">Quick connector short</a>
B25	<a href="#">FX3010</a>	<a href="#">CPK 2,5m6x16</a>	D77.1	<a href="#">FX19720</a>	<a href="#">O-ring 10x1 NBR 90</a>
B26	<a href="#">FX2562</a>	<a href="#">Cup point grub screw M3x3</a>	D77.2	<a href="#">FX5107</a>	<a href="#">O-ring 2,9x1,78 PUR 90</a>
B27	<a href="#">FX19021</a>	<a href="#">Side lever linkage</a>	D77.3	<a href="#">FX19005</a>	<a href="#">Inlet valve rod - Blue</a>
B28	<a href="#">FX10340</a>	<a href="#">Sidelever Impact M3</a>	D78	<a href="#">FX4528</a>	<a href="#">O-ring 7.66x1.78 NBR70</a>
B29	<a href="#">FX19026</a>	<a href="#">Cylindrical pin 2,5m6x6</a>	D79	<a href="#">FX19910</a>	<a href="#">Dust Cover - Quick Connection</a>
B30	<a href="#">FX10301</a>	<a href="#">Side lever handle Impact M3</a>	D80	<a href="#">FX19689</a>	<a href="#">Trigger guard Impact, black</a>
B31	<a href="#">FX11060</a>	<a href="#">Socket head cap screw M3x18</a>	D81	<a href="#">FX11501</a>	<a href="#">Spring 0,5x2,5x6,1</a>
B32	<a href="#">FX19667</a>	<a href="#">Reloading Bar</a>	D82	<a href="#">FX4066</a>	<a href="#">Steel ball 3mm</a>
B33	<a href="#">FX19612</a>	<a href="#">Pellet probe guide</a>	D83	<a href="#">FX10310</a>	<a href="#">Power adjuster Impact M3</a>
B34	<a href="#">FX19614</a>	<a href="#">Pellet probe holder</a>	D84	<a href="#">FX2508</a>	<a href="#">Countersunk screw M3x10</a>
B35	<a href="#">FX19601</a>	<a href="#">Cylindrical pin 2h6x6</a>	D85	<a href="#">FX19040</a>	<a href="#">Cylindrical pin 2m6x23,5</a>
B36	<a href="#">FX2505</a>	<a href="#">Countersunk screw m4x10</a>	D86	<a href="#">FX19693</a>	<a href="#">Impact sprintholder</a>
B37	<a href="#">FX19641</a>	<a href="#">Pellet probe Impact .177</a>	D87	<a href="#">FX2504</a>	<a href="#">Countersunk screw M3x6</a>
B37	<a href="#">FX19620</a>	<a href="#">Pellet probe Impact .22</a>	D88	N/A	N/A
B37	<a href="#">FX19621</a>	<a href="#">Pellet probe Impact .25</a>	D89	<a href="#">FX5105</a>	<a href="#">O-ring 9,3 x 2,4 NBR 90</a>
B37	<a href="#">FX19619</a>	<a href="#">Pellet probe Impact .30</a>	D90	-	<i>Brass washer Impact M3, 1.7mm – 2.1mm</i>
B37	<a href="#">FX19798</a>	<a href="#">Pellet probe Impact .35</a>	D89	<a href="#">FX19703</a>	<a href="#">O-ring 10x2 NBR 70</a>
B38	<a href="#">FX19643</a>	<a href="#">Grub screw, Feeding pin, M4,</a>	D90	-	<i>Brass washer Impact M3, 1.2mm – 1.6mm</i>
<b>FX Carbon fiber Impact bottle</b>			D91	<a href="#">FX7984</a>	<a href="#">Socket head cap screw M3x6</a>
C40	<a href="#">FX5535</a>	<a href="#">Carbonfiber Bottle 300 cc (Compact)</a>	D92	<a href="#">FX5120</a>	<a href="#">O-ring 2,5 x 1,5 NBR 70</a>
C40	<a href="#">FX5532</a>	<a href="#">Carbonfiber Bottle 480 cc (Standard)</a>	D93	<a href="#">FX19736</a>	<a href="#">Plastic Washer 5,3x3,1x1</a>



C40	<a href="#">FX5534</a>	<a href="#">Carbonfiber Bottle 580 cc (Sniper)</a>	D94	<a href="#">FX19761</a>	<a href="#">O-ring 2,2x1 NBR 70</a>
C41	<a href="#">FX10290</a>	<a href="#">Valve Pin Bushing Impact M3</a>	D95	<a href="#">FX10335</a>	<a href="#">Brass adapter Impact M3</a>
C42	<a href="#">FX19717</a>	<a href="#">Countersunk screw m6x8</a>	D95.1	<a href="#">FX10335</a>	<a href="#">Brass adapter Impact M3</a>
C43	<a href="#">FX10327</a>	<a href="#">Valve adjuster knob Impact M3</a>	D96	<a href="#">FX19950</a>	<a href="#">O-ring 14x2 NBR 70</a>
C44	<a href="#">FX16092</a>	<a href="#">Grub screw M3x4</a>	D97	<a href="#">FX20540</a>	<a href="#">Bottle connector Impact M3 cpl.</a>
C45	<a href="#">FX19227</a>	<a href="#">Rubber ball 4.0mm NBR75</a>	D98	<a href="#">FX11507</a>	<a href="#">Rubber/Steel Washer</a>
C46	<a href="#">FX5110</a>	<a href="#">Rubberball 4,75 NBR75</a>	E99	<a href="#">FX19647</a>	<a href="#">Valverod (complete valve)</a>
C47	<a href="#">FX10325</a>	<a href="#">Valve stop piston Impact M3</a>	E100	<a href="#">FX19763</a>	<a href="#">O-ring 9x1,5 NBR90</a>
C48	<a href="#">FX20277</a>	<a href="#">Valve adjuster screw</a>	E101	<a href="#">FX10338</a>	<a href="#">Valvetube End, Power Plenum Impact M3</a>
C49	<a href="#">FX19722</a>	<a href="#">O-ring 9x1,5 NBR 70</a>	E102	<a href="#">FX19105</a>	<a href="#">O-ring 25,0x2,5 NBR 70</a>
C50	<a href="#">FX19616</a>	<a href="#">Valvestop Impact</a>	E103	<a href="#">FX19768</a>	<a href="#">O-ring 2.84x2.62 PUR90</a>
C51	<a href="#">FX1301</a>	<a href="#">Spring 0.75x5.95x45</a>	E104	<a href="#">FX19726</a>	<a href="#">O-ring 5.5x1.5 NBR70</a>
C51	<a href="#">FX2602</a>	<a href="#">Spring 1x6.2x45 (harder spring on .22 sniper)</a>	E105	<a href="#">FX19761</a>	<a href="#">O-ring 2,2x1 NBR 70</a>
C52	<a href="#">FX19604</a>	<a href="#">Hammerseat</a>	E105.1	<a href="#">FX20275</a>	<a href="#">Valvepin complete Impact, Power Plenum</a>
C52	<a href="#">FX20392-C</a>	<a href="#">Hammerseat Impact .35 cpl</a>	E105.2	<a href="#">FX19603</a>	<a href="#">Valve nut impact</a>
C53	<a href="#">FX20272</a>	<a href="#">Hammer Sleeve, Impact, Power Plenum</a>	E106	<a href="#">FX10337</a>	<a href="#">Valvetube Power Plenum Impact M3</a>

E107	<a href="#">FX11508</a>	<a href="#">Grub screw M3x10</a>	X1-11	<a href="#">FX19136</a>	<a href="#">Adjustable trigger blade</a>
E108	<a href="#">FX19786</a>	<a href="#">Valvehouse, Impact, Power Plenum</a> <b>Replaced by:</b> <a href="#">FX20671</a> for new power block	X1-12	<a href="#">FX12035</a>	<a href="#">Grub screw M2.5x2.5</a>
E108*	<a href="#">FX20671</a>	<a href="#">Valvehouse, Impact, Big Plenum</a>	X1-13	<a href="#">FX19636</a>	<a href="#">Triggersear</a>
E109	<a href="#">FX5154</a>	<a href="#">O-ring 16,0x2,0 NBR90</a>	<b>X-2</b>		
E109.1	<a href="#">FX19718</a>	<a href="#">O-ring 14,0x1,5 NBR70</a>	X2-1	<a href="#">FX19731</a>	<a href="#">O-ring 2x1 NBR 90</a>
F110	<a href="#">FX196983</a>	<a href="#">Rear block Impact M3</a> <b>Replaced by:</b> <a href="#">FX20670R</a>	X2-2	<a href="#">FX19695</a>	<a href="#">Regulator Screw Impact</a>
F110*	<a href="#">FX20670R</a>	<a href="#">Rear Block Impact M3 PP</a>	X2-3	<a href="#">FX19697-1</a>	<a href="#">Regulator house</a>
F111	<a href="#">FX19846</a>	<a href="#">Grubb screw M6x6</a>	X2-4	<a href="#">FX19225</a>	<a href="#">O-ring 7,5x2 NBR70</a>
F112	<a href="#">FX19702</a>	<a href="#">Cylindrical pin 2h6x5</a>	X2-5	<a href="#">FX19109</a>	<a href="#">O-ring 4x1,5 NBR 70</a>
F113	<a href="#">FX5110</a>	<a href="#">Rubberball 4,75 NBR 75</a>	X2-6	<a href="#">FX19696</a>	<a href="#">Regulator piston (long) (May 2017&gt;)</a>
F114	<a href="#">FX19224</a>	<a href="#">Cup point grub screw M8x8</a>	X2-7	<a href="#">FX19109</a>	<a href="#">O-ring 4x1,5 NBR 70</a>
F115	<a href="#">FX19606</a>	<a href="#">Magazine holder Impact</a>	X2-8	<a href="#">FX19790</a>	<a href="#">O-ring 10x1,5 NBR90</a> <i>(inserted in trigger block D57)</i>
F116	<a href="#">FX19646</a>	<a href="#">Left plate Impact</a>	<b>X-1</b>		
F117	<a href="#">FX19645</a>	<a href="#">Right plate Impact</a>	X3-1	<a href="#">FX10293</a>	<a href="#">Quick adjustment guide Impact M3</a>
F118	<a href="#">FX12610</a>	<a href="#">Socket head cap screw M3x8</a>	X3-2	<a href="#">FX1147</a>	<a href="#">Spring 0,25X2,37X20</a>
F119	<a href="#">FX19713</a>	<a href="#">Socket head cap screw M3x6</a>	X3-3	<a href="#">FX10292</a>	<a href="#">Quick adjustment wheel Impact M3</a>
F120	<a href="#">FX19618</a>	<a href="#">Recoilpad</a>	X3-4	<a href="#">FX12035</a>	<a href="#">Grub screw M2,5x2,5</a>
F121	<a href="#">FX19728</a>	<a href="#">Adjustment Screw Recoilpad Impact</a>	X3-5	<a href="#">FX10291</a>	<a href="#">Quick adjustment axle Impact M3</a>
F122	<a href="#">FX20117</a>	<a href="#">Magazine bracket Impact MkII</a>	X3-6	<a href="#">FX19602</a>	<a href="#">Hammer adjuster</a>
F123	<a href="#">FX20116</a>	<a href="#">Locking arm Magazine bracket MkII</a>	X3-7	<a href="#">FX19715</a>	<a href="#">Socket head cap screw M3x5</a>
F124	<a href="#">FX16093</a>	<a href="#">Spring 0,3x2x10</a>	<b>FX Impact Barrel</b>		
F125	<a href="#">FX19713</a>	<a href="#">Socket head cap screw M3x6</a>	Cal.	5,5/.22 to 9/.35	<a href="#">Liner Kit Impact Tensioned Super Sniper 800mm</a>
F126	<a href="#">FX12610</a>	<a href="#">Socket head cap screw M3x8</a>	Cal.	4,5/.177 to 9/.35	<a href="#">Liner Kit Impact Tensioned Sniper 700mm</a>
F127	<a href="#">FX19762</a>	<a href="#">X-ring 3,63x2,62 NBR 70</a>	Cal.	4,5/.177 - 500	<a href="#">Tube Kit FX Impact 4.5 Compact 500mm</a>

F128	<a href="#">FX19775</a>	<a href="#">Manometer 28mm with black cover</a> Replaced by <a href="#">FX19791C</a>	Cal.	4,5/.177 - 600	<a href="#">Tube Kit FX Impact 4.5 Standard 600mm</a>
F129	<a href="#">FX19776</a>	<a href="#">Sleeve for manometer black Impact MKII</a>	Cal.	4,5/.177 - 700	<a href="#">Tube Kit FX Impact 4.5 Sniper 700mm</a>
<b>X-1</b>			Cal.	5,5/.22-500	<a href="#">Tube Kit FX Impact 5.5 Compact 500mm</a>
X1-1	<a href="#">FX10302</a>	<a href="#">Triggerbase Impact M3</a>	Cal.	5,5/.22 - 600	<a href="#">Tube Kit FX Impact 5.5 Standard 600mm</a>
X1-2	<a href="#">FX11525</a>	<a href="#">Triggerroll *discontinued</a>	Cal.	5,5/.22 - 700	<a href="#">Tube Kit FX Impact 5.5 Sniper 700mm</a>
X1-2	<a href="#">FX10392</a>	<a href="#">*NEW Triggerroll</a>	Cal.	6,35/.25 - 500	<a href="#">Tube Kit FX Impact 6.35 Compact 500mm</a>
X1-3	<a href="#">FX19927</a>	<a href="#">Screw trigger roll Crown</a>	Cal.	6,35/.25 - 600	<a href="#">Tube Kit FX Impact 6.35 Standard 600mm</a>
X1-4	<a href="#">FX11508</a>	<a href="#">Grub screw M3x10</a>	Cal.	6,35/.25 - 700	<a href="#">Tube Kit FX Impact 6.35 Sniper 700mm</a>
X1-5	<a href="#">FX11508</a>	<a href="#">Grub screw M3x10</a>	Cal.	7,62/.30 - 500	<a href="#">Tube Kit FX Impact 7.62 Compact 500mm</a>
X1-6	<a href="#">FX11504</a>	<a href="#">Spring 0.32x3,2x14,4 v2.3</a>	Cal.	7,62/.30 - 600	<a href="#">Tube Kit FX Impact 7.62 Standard 600mm</a>
X1-7	FX11015	Second stage trigger screw M5	Cal.	7,62/.30 - 700	<a href="#">Tube Kit FX Impact 7.62 Sniper 700mm</a>
X1-8	<a href="#">FX11508</a>	<a href="#">Grub screw M3x10</a>	Cal.	9/.35 - 500	<a href="#">Tube Kit FX Impact 9.0 Compact 500mm</a>
X1-9	<a href="#">FX19137</a>	<a href="#">Triggerpin Impact M3</a>	Cal.	9/.35 - 600	<a href="#">Tube Kit FX Impact 9.0 Standard 600mm</a>
X1-10	<a href="#">FX19178</a>	<a href="#">Screw M2x4</a>	Cal.	9/.35 - 700	<a href="#">Tube Kit FX Impact 9.0 Sniper 700mm</a>

## REPAIR / IMPROVE KITS



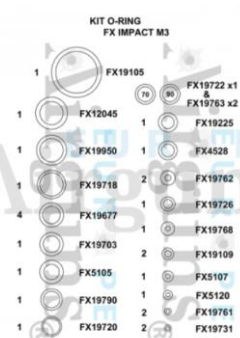
[REF: FX20340](#)

[Slug power KIT Impact M3](#)



[REF: FX20825](#)

[Impact Power Block Kit M3](#)



[REF: FX20602](#)

[O-Ring Kit FX Impact M3](#)

**FXairguns**  
Spain



[REF: FXK9121](#)

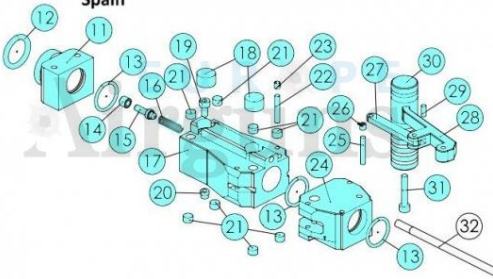
[Repair Kit Crown & Impact-Reg.](#)



[REF: YST0051](#)

[FX Impact Fishing Kit M3](#)

**FXairguns**  
Spain



[REF: FX20602](#)

[KIT FX impact M3  
cocking block](#)