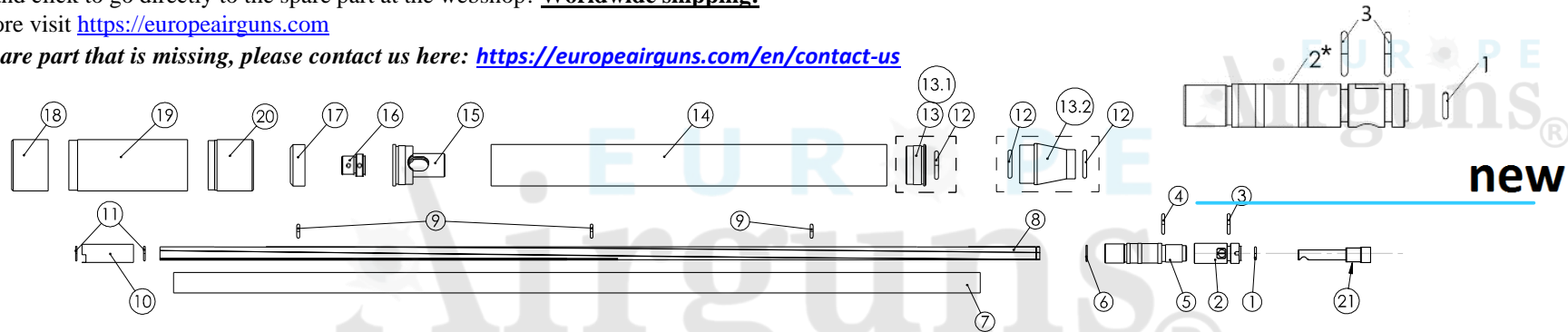


Model	Website	Date	Revision	Revision date
FX Impact M3 Mk2 Barrel	https://europeairguns.com/en	2023-12-16	EN.23.12	2023-12-16

Go to the list and click to go directly to the spare part at the webshop! **Worldwide shipping!**

To find out more visit <https://europeairguns.com>

If there is a spare part that is missing, please contact us here: <https://europeairguns.com/en/contact-us>



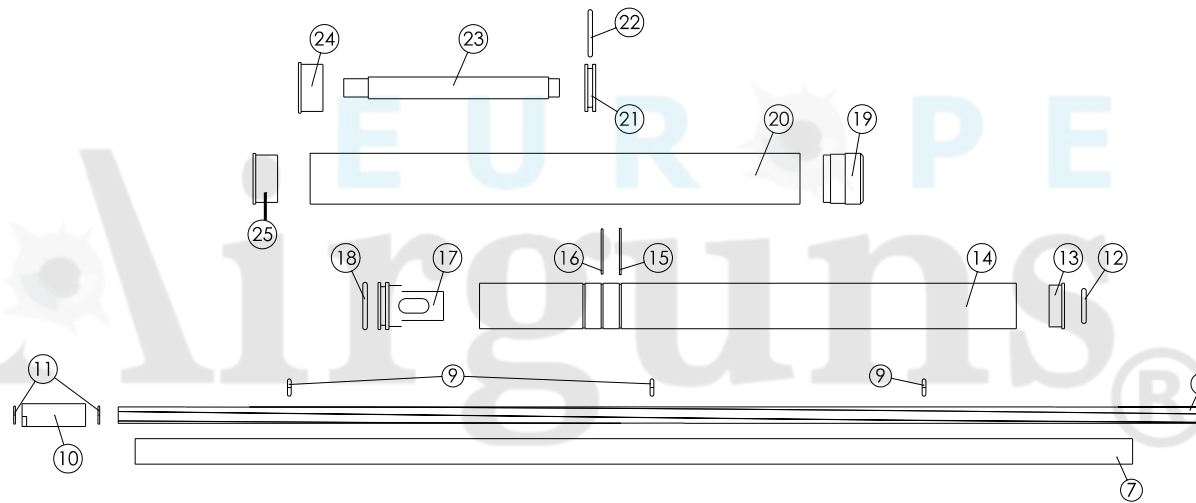
NO	ART. NO	DESCRIPTION	NO	ART. NO	DESCRIPTION
1 - .177	FX2529	O-ring 4,3 x 1,5 NBR 70	8	FX20369	STX Liner .30 500mm Superior
1 - .22	FX19726	O-ring 5,5 x 1,5 NBR 70	8	FX19967	STX Liner .30 600mm Superior
1 - .25	FX2575	O-ring 6,35 x 1,27 NBR 70	8	FX19978	STX Liner .30 700mm Superior
1 - .30	FX19209	O-ring 7,5x1,5 NBR 70	9 - .177	FX19958	O-ring 6,02x2,62 NBR 70
2 - .177	FX19628	Barrel inlet .177	9 - .22	FX19952	O-ring 5,23x2,62 NBR 70
2* - .177	FX20841	Barrel Attachment W/Dual Inlet .177	9 - .25	FX19953	O-ring 5,5x2 NBR 70
2 - .22	FX19629	Barrel inlet .22	9 - .30	FX2575	O-ring 6,35 x 1,27 NBR 70
2*-.22	FX20842	Barrel Attachment W/Dual Inlet .22	10 - .177	FX19968	Liner Lock .177
2 - .25	FX19670	Barrel inlet .25	10 - .22	FX19969	Liner Lock .22
2*-.25	FX20843	Barrel Attachment W/Dual Inlet .25	10 - .25	FX19970	Liner Lock .25
2 - .30	FX19671	Barrel inlet .30	10 - .30	FX19971	Liner Lock .30
2*-.30	FX20844	Barrel Attachment W/Dual Inlet .30	11 - .177	FX19837	O-ring 7x1 NBR 70
3	FX19703	O-ring 10x2 NBR 70	11 - .22	FX19117	O-ring 8x1 NBR 70
4	FX19703	O-ring 10x2 NBR 70 (.177, .22, .25)	12	FX12045	O-ring 13,95x2,62
4	FX19210	O-ring 11x1,5 NBR 70 (.30)	13	FX19737	Shroud Bushing Impact
5	FX19960	Barrel Attachment .177	13.1	FX19588	Shroud start Wildcat (compact)
5	FX19964	Barrel Attachment .22	13.2	FX19925	Shroud cone (sniper)
5	FX19962	Barrel Attachment .25	14	FX19131	Shroud 28x157mm (compact)
5	FX19963	Barrel Attachment .30	14	FX19692	270mm Shroud for Impact. (standard)
6 - .177	FX19837	O-ring 7x1 NBR 70	14	FX19328	Shroud 362,5mm .25-.30, (sniper)
6 - .22	FX19117	O-ring 8x1 NBR 70	15	FX10331	Compensator fixed, 2020 M3
6 - .25	FX19954	O-ring 9x1 NBR 70	16	FX10332-22	Muzzle thread insert .177, .22
6 - .30	FX19145	O-ring 10x1 NBR 70	16	FX10332-25	Muzzle thread insert .25
7	FX19973	Barrel housing 14x1x435mm	16	FX10332-30	Muzzle thread insert .30
7	FX19972	Barrel housing 14x1 550mm	17	FX20176	Muzzle-Thread Cover
7	FX19974	Barrel housing 14x1 650mm	18*	FX19663	Shroud endcap .25 35mm (optional)
8	FX19964	STX Liner .177 500mm	18*	FX19664	Shroud endcap .30 35mm (optional)
8	FX19965	STX Liner .22 500mm Superior	19*	FX19680	Shroud Mid Part 35mm (optional)
8	FX20011	STX Liner .22 600mm Superior	20*	FX19997	Shroud Start 35mm UNF 1/2" (optional)
8	FX20204	STX Liner .22 700mm Superior	21	FX19641	Pellet probe Impact .177
8	FX19976	STX Liner .25 500mm Superior	21	FX19620	Pellet probe Impact .22
8	FX19966	STX Liner .25 600mm Superior	21	FX19621	Pellet probe Impact .25
8	FX19977	STX liner .25 700mm Superior	21	FX19619	Pellet probe Impact .30

Barrel Attachment W/Dual Inlet.
 2* - .177 [FX20841](#)
 2* - .22 [FX20842](#)
 2* - .25 [FX20843](#)
 2* - .30 [FX20844](#)

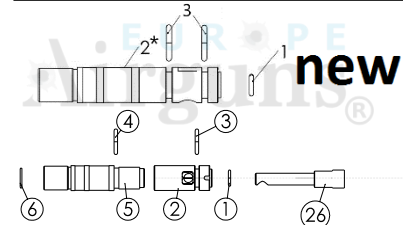
This spare part replaces both Barrel inlet (2) and barrel attachment (4).
 It comes with all O-rings installed.
 It has 2 transfer ports, pellets, and slugs.



Model	Website	Date	Revision	Revision date
FX OLD Impact Barrel	https://europeairguns.com/en	2023-12-16	EN.23.12	2023-12-16

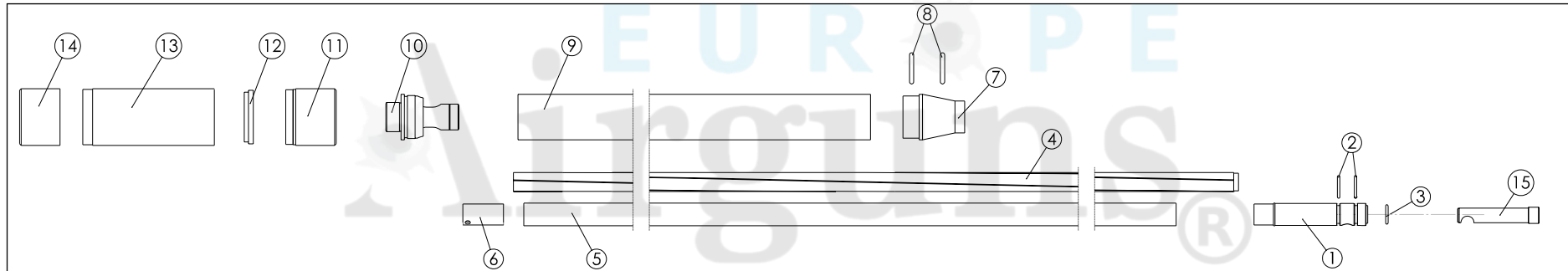


Barrel Attachment W/Dual Inlet.
 2* - .177 [FX20841](#)
 2* - .22 [FX20842](#)
 2* - .25 [FX20843](#)
 2* - .30 [FX20844](#)
 This spare part replaces both Barrel inlet (2) and barrel attachment (4).
 It comes with all O-rings installed.
 It has 2 transfer ports, pellets, and slugs.



NO	ART. NO	DESCRIPTION	NO	ART. NO	DESCRIPTION	NO	ART. NO	DESCRIPTION
1 - .177	FX2529	O-ring 4,3 x 1,5 NBR 70	7	FX19972	Barrel housing 14x1 550mm	14 - .22	FX19661	Telescopicshroud .22 Impact
1 - .22	FX19726	O-ring 5,5 x 1,5 NBR 70	7	FX19974	Barrel housing 14x1 650mm	14 - .25, .30	FX19660	Telescopicshroud .25/.30 Impact
1 - .25	FX2575	O-ring 6,35 x 1,27 NBR 70	8	FX19964	STX Liner .177 500mm	15	FX19675	Delrin ring stop
1 - .30	FX19209	O-ring 7,5x1,5 NBR 70	8	FX19965	STX Liner .22 500mm Superior	16	FX19732	O-ring 25x1 NBR 70
2 - .177	FX19628	Barrel inlet .177	8	FX20011	STX Liner .22 600mm Superior	17 - .177	FX19657	Compensator teleshroud
2* - .177	FX20841	Barrel Attachment W/Dual Inlet .177	8	FX20204	STX Liner .22 700mm Superior	17 - .22	FX19657	Compensator teleshroud
2 - .22	FX19629	Barrel inlet .22	8	FX19976	STX Liner .25 500mm Superior	17 - .25	FX19625	Compensator teleshroud
2* - .22	FX20842	Barrel Attachment W/Dual Inlet .22	8	FX19966	STX Liner .25 600mm Superior	17 - .30	FX19626	Compensator teleshroud
2 - .25	FX19670	Barrel inlet .25	8	FX19977	STX liner .25 700mm Superior	18	FX5113	O-ring 20,24x2,62
2* - .25	FX20843	Barrel Attachment W/Dual Inlet .25	8	FX20369	STX Liner .30 500mm Superior	19	FX19658	Shroudstop 28mm
2 - .30	FX19671	Barrel inlet .30	8	FX19967	STX Liner .30 600mm Superior	20	FX19692	270mm Shroud for Impact
2* - .30	FX20844	Barrel Attachment W/Dual Inlet .30	8	FX19978	STX Liner .30 700mm Superior	21 - .177, .22	FX19747	Muzzle stabilizer
3	FX19703	O-ring 10x2 NBR 70	9 - .177	FX19958	O-ring 6,02x2,62 NBR 70	22 - .177, .22	FX5101	O-ring 20 x 2,5 NBR 70
4	FX19703	O-ring 10x2 NBR 70 (.177, .22, .25)	9 - .22	FX19952	O-ring 5,23x2,62 NBR 70	23 - .177, .22	FX19746	Muzzle extender
4	FX19210	O-ring 11x1,5 NBR 70 (.30)	9 - .25	FX19953	O-ring 5,5x2 NBR 70	24 - .177, .22	FX19733	Impact muzzle .177-.22
5	FX19960	Barrel Attachment .177	9 - .30	FX2575	O-ring 6,35 x 1,27 NBR 70	25 - .25	FX19655	Impactmuzzle 8,0
5	FX19961	Barrel Attachment .22	10 - .177	FX19968	Liner Lock .177	25 - .30	FX19656	Impactmuzzle 9,0
5	FX19962	Barrel Attachment .25	10 - .22	FX19969	Liner Lock .22	26	FX19641	Pellet probe Impact .177
5	FX19963	Barrel Attachment .30	10 - .25	FX19970	Liner Lock .25	26	FX19620	Pellet probe Impact .22
6 - .177	FX19837	O-ring 7x1 NBR 70	10 - .30	FX19971	Liner Lock .30	26	FX19621	Pellet probe Impact .25
6 - .22	FX19117	O-ring 8x1 NBR 70	11 - .177	FX19837	O-ring 7x1 NBR 70	26	FX19619	Pellet probe Impact .30
6 - .25	FX19954	O-ring 9x1 NBR 70	11 - .22	FX19117	O-ring 8x1 NBR 70			
6 - .30	FX19145	O-ring 10x1 NBR 70	12	FX12045	O-ring 13,95x2,62			
7	FX19973	Barrel housing 14x1x435mm	13	FX19640	25mm end for telescopic shroud M23x1			


Model	Website	Date	Revision	Revision date
FX Impact Barrel .35	https://europeairguns.com/en	2023-12-16	EN.23.12	2023-12-16





NO	ART. NO	DESCRIPTION
1	FX19797	Barrel inlet 9mm
2	FX19210	O-ring 11x1,5 NBR 70
3	FX19722	O-ring 9x1,5 NBR 70
4	FXB20286	STX Liner .35 800mm Superior
5	FX20328	Barrel housing 14x1 750mm .35
6	FX20331	Liner Lock .35
7	FX19925	Shroud cone
8	FX12045	O-ring 13.95x2.62 NBR 70
9	FX19142	Shroud 447mm Extreme
10	FX20329	Compensator .35 Impact
11	FX20366*	Shroud Start .35 Impact (optional)
12	FX20368*	Baffle washer Muzzle .35 Impact (optional)
13	FX19680*	Shroud mid part 35mm (optional)
14	FX20367*	Muzzle .35 Impact (optional)
15	FX19798	Pellet probe Impact .35





				<p><u>ALL FX BARRELS, MAGAZINES AND ACCESORIES</u></p>
<p>Tube Kit FX Impact 5.5 500mm €280.00 5.5 500MM</p>	<p>Tube Kit FX Impact 5.5 600mm €280.00 5.5 600MM</p>	<p>Tube Kit FX Impact 5.5 700mm €250.00 5.5 700MM</p>	<p>Tube Kit FX Impact 6.35 500mm €210.00 6.35 500MM</p>	
<p>Tube Kit FX Impact 6.35 600mm €225.00 6.35 600MM</p>	<p>Tube Kit FX Impact 6.35 700mm €310.00 6.35 700MM</p>	<p>Tube Kit FX Impact 7.62 500mm €260.00 7.62 500MM</p>	<p>Tube Kit FX Impact 7.62 600mm €280.00 7.62 600MM</p>	

	<p><u>REF: BMM</u></p>	<p><u>MULTI TRANSFER PORT</u></p>
---	------------------------	---------------------------------------


	<p><u>REF: ZEA02045</u></p>	<p><u>COMPETITION TRANSFER PORT 4.5 / .177</u></p>
---	-----------------------------	--


<p>700mm</p>  <p><i>Tensioned Barrel System</i></p>	<p><u>REF: FXB20712</u></p>	<p><u>Carbon Fiber Tensioner kit 700mm with front</u></p>
---	-----------------------------	---


	<p><u>REF: FX20602</u></p>	<p><u>FEEDINGPIN IMPACT 4.5 / .177 COMPETITION</u></p>
---	----------------------------	--

<p>800mm</p>  <p><i>Tensioned Barrel System</i></p>	<p><u>REF: PFXB20675A</u></p>	<p><u>Carbon fiber Tensioner Kit 800mm with front support</u></p>
---	-----------------------------------	---

	<p><u>REF: BAN</u></p>	<p><u>LINER SUPERIOR HEAVY</u></p>
---	------------------------	--

	<p><u>REF: BSLC</u></p>	<p><u>CARBON FIBER BARREL SLEEVES</u></p>
---	-------------------------	---

	<p><u>REF: CMC</u></p>	<p><u>SINGLE LOAD MAGAZINE IMPACT</u></p>
---	------------------------	---

	<p><u>MAGAZINE SUPPORT IMPACT</u></p>
---	---